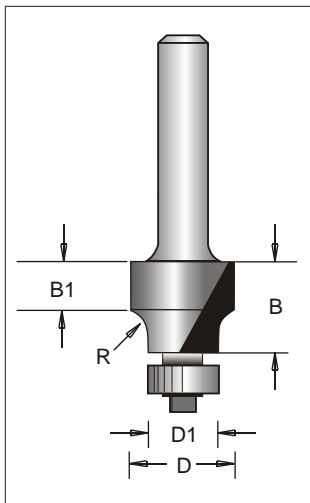
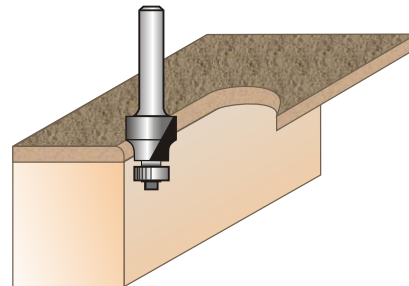


X-File Bits with Ball Bearing Guide, 2 Flutes

These innovative carbide tipped bits are real time savers. The usual sharp edge created when trimming cut of laminated materials are no longer a concern. There is no need to further file the edge of laminated woods. The lamination is always trimmed flush with the backing material.



Tool no.	D	D1	Shank	B	B1	R	Length	Category
109R4-1.5X	1/2"	3/8"	1/4"	3/8"	3/16"	.059" (1.5mm)	1 7/8"	WP
109R8-1.5X	1/2"	3/8"	1/2"	3/8"	3/16"	.059" (1.5mm)	2 1/8"	WP

Replacement Parts:

Ball Bearing: BB-10A

Screw: 1950040