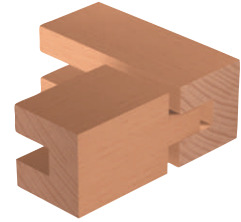
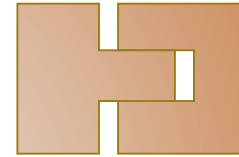


Tongue And Groove Cutter, 1 Piece, Reversible, 2 Flutes

1 piece set!

For 5/8" to 3/4" material

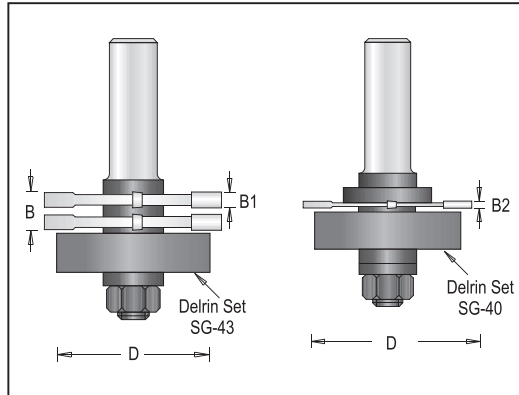


Tool no.	D	Shank	B	Length	Category
143R8-40	1 5/8"	1/2"	1/4"	3"	R

Replacement Parts:
Groover 1/4" (2 pc.): 1431040
Arbor & Nut (1pc.): 1900048

Ball Bearing (1 pc.): BB-22
Washer 1.0mm (1 pc.): 1920110
Shims 0.1mm (4 pc.): 1921000

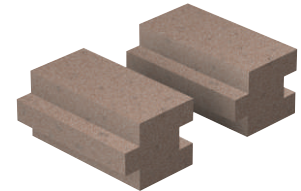
Shims 0.5mm (2 pc.): 1920130
Spacer 6.0mm (2 pc.): 1920160



Tongue and Groove - Joint Set, 3 Flutes

1 piece set!

For 5/16" to 3/8" material



Tool no.	D	Shank	B1	B2	B	Length	Category
143R8-48	1 7/8"	1/2"	5/32"	5/64"	3/8"	3"	R

Complete set includes:
Arbor and nut (1 piece): 1900048
Groover 5/32" (2 pieces): 108R3-4
Groover 5/64" (1 piece): 108R3-2
Super-Guide Bearing: SG-40
Super-Guide Bearing: SG-43

Shim 6mm (1 piece): 1920160
Shim 3.15mm (1 piece): 1920400
Shim 1mm (2 pieces): 1920110
Shim 0.1mm (1 piece): 1921000
Shim 0.05mm (1 piece): 1920500

