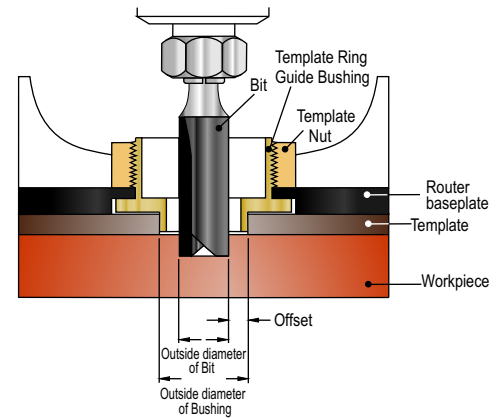


10 Piece Template Rings, Solid Brass

Template Rings also known as **Guide Bushings** allows the router operator to steer a bit with precision and full control. It will ensure consistent results of routing at all times. Our 10 Piece Template Rings are made of Solid Brass that will ensure precision guidance. This kit lets you to do tight, precise inlay work with a router and templates of your own design.

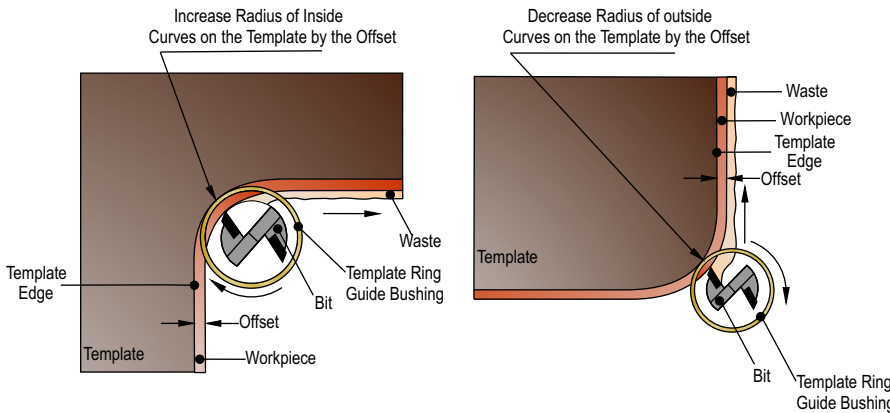
A Template Ring is made of a collar that attaches to and extends below the router's base plate. It acts similar to the bearing on a router bit. The main advantage of using a Guide Bushing is that you are not limited to routing just the edge of the work piece, but you can follow along the edge of the template to control the bit while you make the cut. It actually enables you to route straight lines as well as very fancy shapes.



The bushing is not flush with the outside diameter of the bit, and the difference is called: The Offset.

When routing with a Guide Bushing, calculating the Offset is important but very simple to do. For example, if you use a 1/4" Straight bit with a 5/8" Outside Diameter bushing, the Offset is 3/16". Calculating the Offset will ensure that routing Curves is done right.

- For **Inside Curves**, increase radius of inside curves on the template by the Offset.
- For **Outside Curves**, decrease radius of outside curves on the template by the Offset.



Bushing sets are available in either brass or steel. The difference is that brass bushings usually can be tightened by hand, and stay tight. Steel bushings seem to vibrate loose more easily. You should always opt for brass bushings sold by a reputable manufacturer. They are made from quality material and adhere to tight tolerances. You will get years of trouble free routing experience.

When it comes to Routing, Template Rings are indispensable accessories. Mastering them will give you endless possibilities to produce amazing effects with outmost precision. Among popular usage are:

Joinery

Routing Dados and Grooves, Dovetail, Finger Joints

Surface effects

Grooving fancy frames and decorative inlays. Creating profiles away from the edge of the work piece.

Hardware installations

Cutting recesses and mortises for hardware installations such as hinges etc.

Tool no.	D1	D2	D3	d1	d2	H	H1	H2	Cat.
WP-T-RINGS	Complete Set consists of 10 pcs								
Rings:	35mm	1 3/16"	26.5mm	5/16" (7.94mm)	1/4" (6.35mm)	18mm	6mm	9.5mm	WP
	35mm	1 3/16"	26.5mm	3/8" (9.52mm)	9/32" (7.14mm)	18mm	6mm	9.5mm	WP
	35mm	1 3/16"	26.5mm	7/16" (11.11mm)	11/32" (8.73mm)	18mm	6mm	9.5mm	WP
	35mm	1 3/16"	26.5mm	1/2" (12.7mm)	13/32" (10.32mm)	18mm	6mm	9.5mm	WP
	35mm	1 3/16"	26.5mm	5/8" (15.87mm)	17/32" (13.49mm)	18mm	6mm	9.5mm	WP
	35mm	1 3/16"	26.5mm	3/4" (19.05mm)	21/32" (16.67mm)	18mm	6mm	9.5mm	WP
	35mm	1 3/16"	26.5mm	51/64" (20.24mm)	5/8" (15.87mm)	18mm	6mm	9.5mm	WP
	35mm	1 3/16"	26.5mm	1" (25.4mm)	7/8" (22.23mm)	18mm	6mm	9.5mm	WP
2 Lock Nuts									

