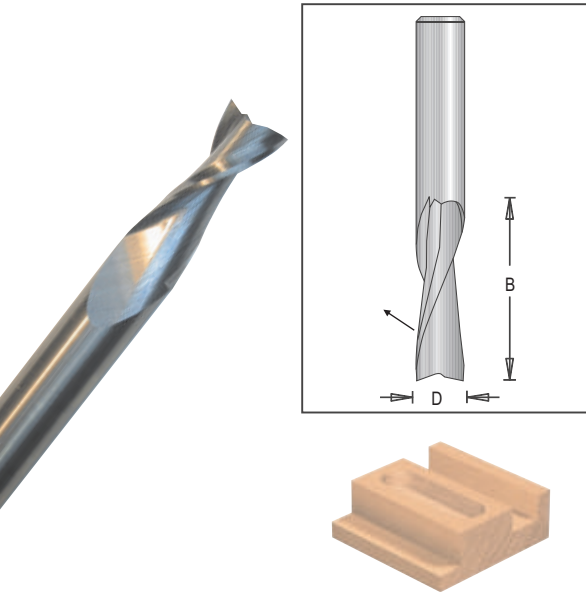


## Solid Carbide Spiral Router Bits

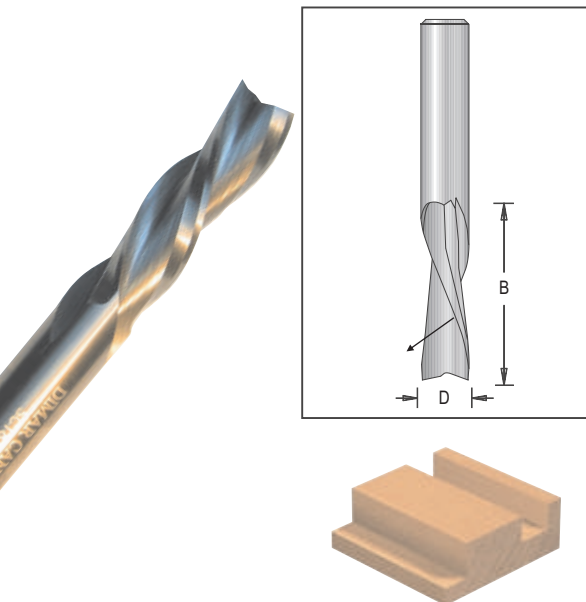
Solid carbide spirals can be used in any application that other straight flute carbide tipped bits are used, such as trimming, shaping or grooving. Spiral bits have a cutting edge that is constantly in contact with the material. The load on the work piece and the bit is constant, uniform and draws less power than the conventional straight bit. As a result more stock can be removed and faster feed rates can be applied. The cut is a "peeling" action rather than a "chipping" action. Spiral bits perform best at higher feed rates in a straight line and require more hold-down pressure. Conventional straight bits will be more efficient at slower rates and where you have a lot of turns in the cut.



### 2 Flute Spiral - Upcut Solid Carbide - for Solid Wood

Solid tungsten carbide router cutter complete with two spiral flutes. Suitable for fine 'finishing' cuts in softwood and hardwood. Upcut spiral for optimum chip flow and improved finish on the bottom of the board. For use on routers and machining centres with or without CNC control.

Tool no.	D	Shank	B	Length	Flutes	Category
SCW43	1/8"	1/4"	1/2"	2"	2	SC
SCW45	3/16"	1/4"	5/8"	2"	2	SC
SCW463	1/4"	1/4"	3/4"	2 1/2"	2	SC
SCW46	1/4"	1/4"	1 1/8"	3"	2	SC
SCW610	3/8"	3/8"	1"	2 1/2"	2	SC
SCW810	3/8"	1/2"	1 1/4"	3"	2	SC
SCW812	1/2"	1/2"	1 1/4"	3"	2	SC
SCW812B	1/2"	1/2"	1 5/8"	3 1/2"	2	SC



### 2 Flute Spiral - Downcut Solid Carbide - for Solid Wood

Solid tungsten carbide router cutter complete with two spiral flutes. Suitable for fine 'finishing' cuts in softwood and hardwood. Downcut for better clamping when machining small work pieces and improved finish on the top of the board. For use on routers and machining centres with or without CNC control.

Tool no.	D	Shank	B	Length	Flutes	Category
SCW43DC	1/8"	1/4"	1/2"	2"	2	SC
SCW44DC	5/32"	1/4"	5/8"	2 1/2"	2	SC
SCW45DC	3/16"	1/4"	5/8"	2"	2	SC
SCW463DC	1/4"	1/4"	3/4"	2 1/2"	2	SC
SCW46DC	1/4"	1/4"	1 1/8"	3"	2	SC
SCW610DC	3/8"	3/8"	1"	2 1/2"	2	SC
SCW810DC	3/8"	1/2"	1 1/4"	3"	2	SC
SCW812DC	1/2"	1/2"	1 1/4"	3"	2	SC
SCW812BDC	1/2"	1/2"	1 5/8"	3 1/2"	2	SC