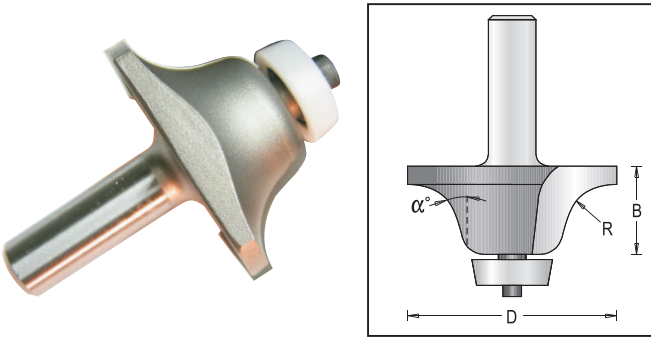
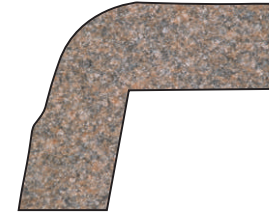


Roman Ogee Undermount Bowl Bits, 2 Flutes

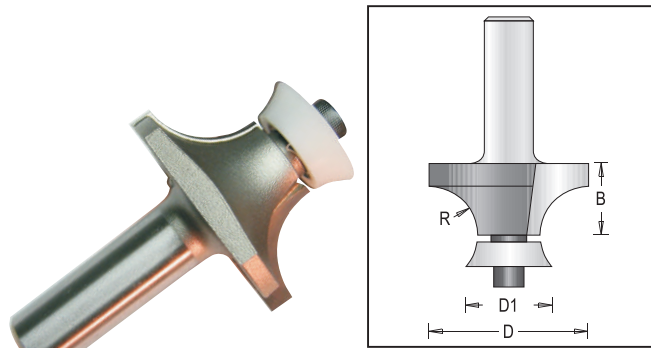


For Solid Surface

Tool no.	D	Shank	B	α	R	Length	Category
152R8-54	2 1/8"	1/2"	1"	15°	1/2"	3"	R
152R8-57	2 3/8"	1/2"	1 1/4"	15°	9/16"	3 3/8"	R

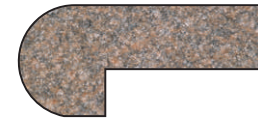


Corner Rounding Bits w/Radius Bearing, 2 Flutes

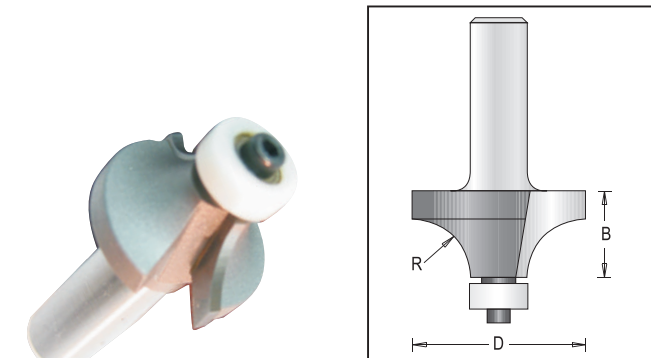


For Solid Surface

Tool no.	D	D1	Shank	B	R	Length	Category
109RD8-12	1 5/8"	5/8"	1/2"	47/64"	1/2"	2 1/16"	R
109RD8-19	2 1/8"	5/8"	1/2"	63/64"	3/4"	2 29/32"	R
109RD8-25	2 5/8"	5/8"	1/2"	1 15/64"	1"	2 1/16"	R



Rounding Over Bits, 2 Flutes



For Solid Surface

Tool no.	D	Shank	B	R	Length	Category
109RC8-8	1 1/8"	1/2"	1/2"	5/16"	2 5/16"	R
109RC8-10	1 1/4"	1/2"	5/8"	3/8"	2 7/16"	R
109RC8-12	1 1/2"	1/2"	3/4"	1/2"	2 9/16"	R
109RC8-19	2"	1/2"	1"	3/4"	2 3/4"	R

