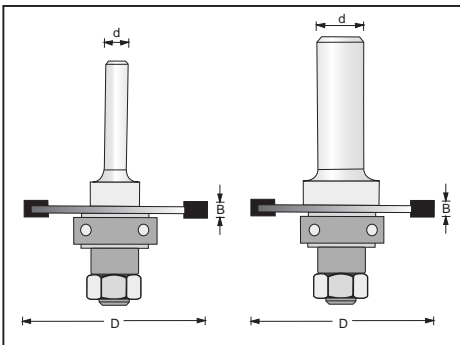
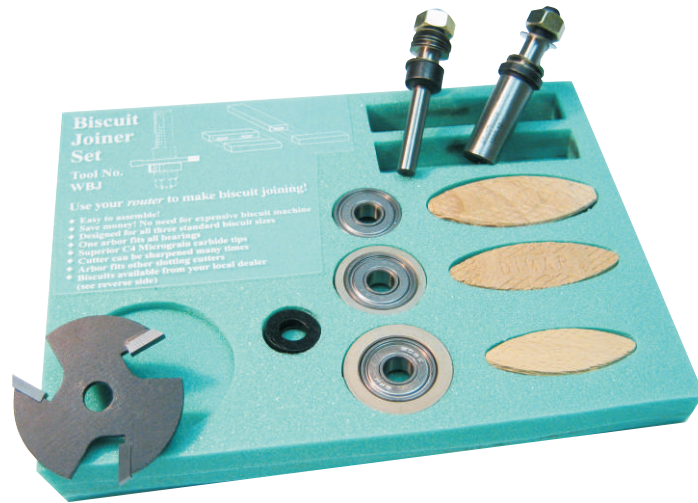


Biscuit Joiner Set - 6 piece Set



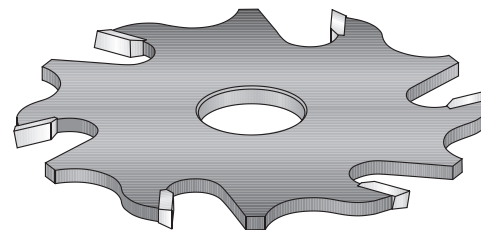
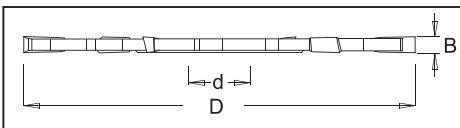
This set is designed to cut slots in wood for biscuit joints, using your Router. By replacing the bearing, you can achieve 3 depths to accommodate the common wood biscuit sizes.

- Economical: No need to buy a Biscuit cutter machine
- Versatile: Arbor & bearing can be used with other slotting cutters



Tool no.	Description	Cat.
WBJ	Biscuit Joiner Set for #0, #10, #20 wood biscuits, 1/4" shank & 1/2" shank	WP

Biscuit Joiner Blades - Chip Limitation Design



MAX RPM: 18000

Dimar's Premium Quality Cutter Blades are designed specifically for Biscuit Joining. They are compatible and fit most Biscuit cutter machines such as: Lamello, Porter-Cable, Virutex, Freud, Kaiser, Elu, & more.

Tool no.	D	Bore	Teeth	B	Cat.
100PJ-SP	100mm	22mm	6*	3.97mm	C
100PJ-SP2	100mm	22mm	6	4.2mm	C

