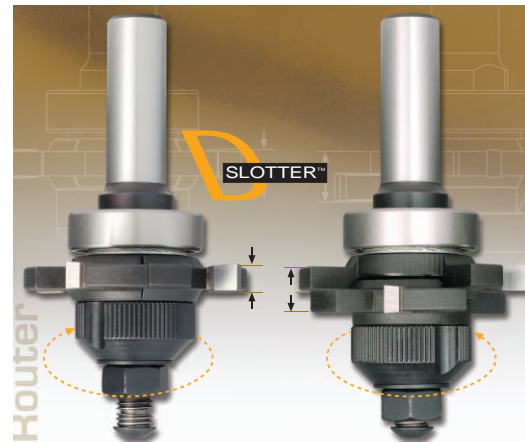
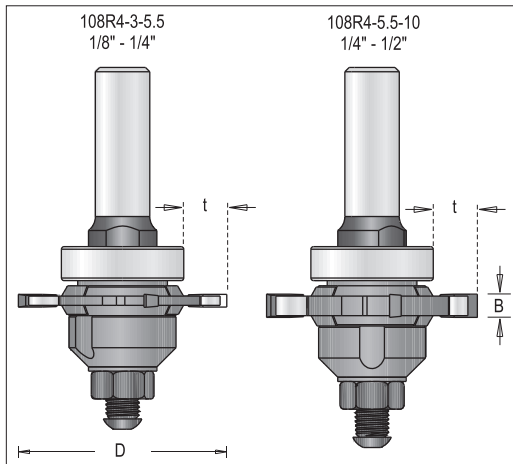


Adjustable Slotting Router Bit System

Adjustable Slotting Router Bits offer the flexibility of adjusting the kerf to the desired width, from 1/8" to 1/4" or 1/4" to 1/2" without the use of shims. By releasing the counter nut, one can set the kerf using a precise dial. By rotating the dial, you are able to change the kerf in 0.01" increments. This system saves a lot of time needed to adjust and readjust a conventional slotting router bit to the right kerf. The adjustable Slotting Router Bit's cutter can be resharpened and replaced without the need to buy the complete system.



To see a D-Slotter demonstration please go to www.dimarcanada.com and click on New Products.

Tool no.	D	B	t	Shank	Length	Category
108R4-3-5.5	2" (50mm)	1/8"-1/4"	1/2"	1/2"	3 1/4"	R
108R4-5.5-10	2" (50mm)	1/4"-1/2"	1/2"	1/2"	3 1/4"	R

Available with 1/2" shank only.