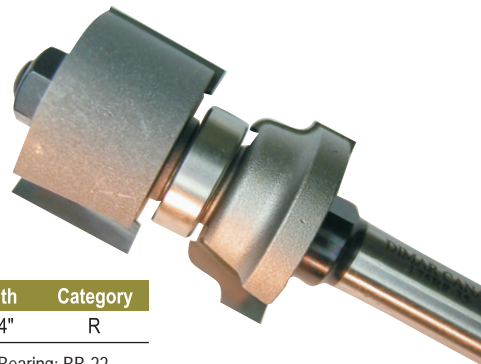
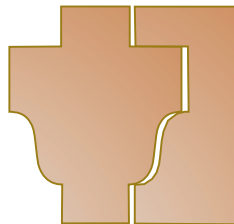
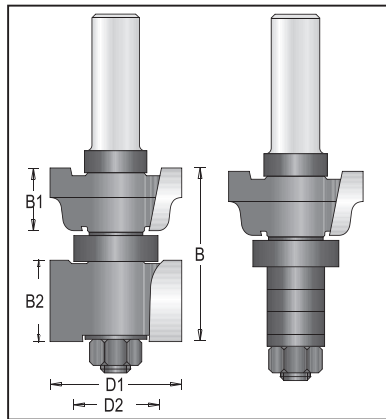


Sash & Rail Bit, Reversible,
1 Piece,
2 Flutes



Tool no.	D1	D2	Shank	B1	B2	B	Length	Category
175R8-35	1 3/8"	7/8"	1/2"	11/16"	7/8"	1 7/8"	3 3/4"	R

Replacement Parts: Profile Cutter: 1332010; Flush Cutter: 1332040; Arbor & Nut: 1900088; Ball Bearing: BB-22