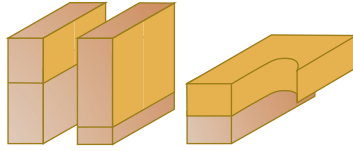
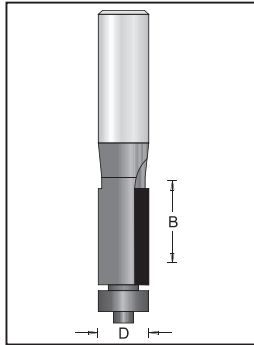


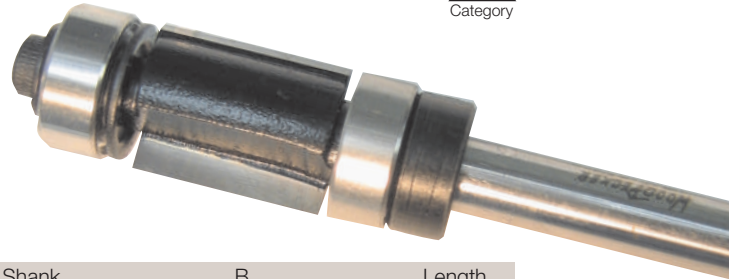
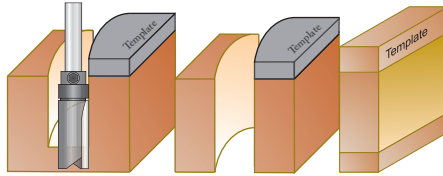
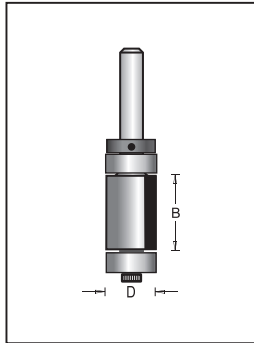


## Flush Trim Bits with Ball Bearing Guide, 1/4" & 1/2" shank, 2 Flutes



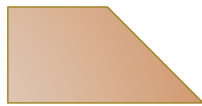
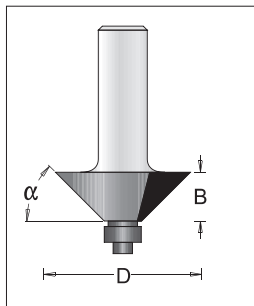
Tool no.	D	Shank	B	Length
W01A	3/8"	1/4"	1/2"	2 1/8"
W01	1/2"	1/4"	1/2"	2 1/8"
WP101821	1/2"	1/2"	1"	3"
WP101823	1/2"	1/2"	1 1/2"	3 5/8"
WP101824	1/2"	1/2"	2"	3 5/8"

## Template Bit, Double Ball Bearing Guide, 1/4" and 1/2" Shank, 2 Flutes



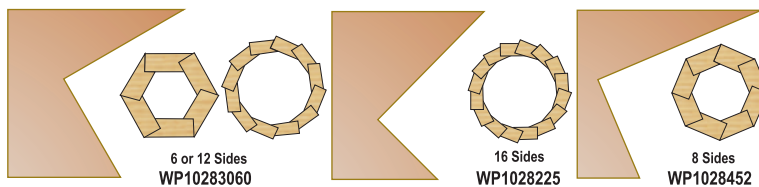
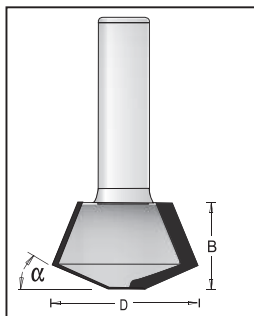
Tool no.	D	Shank	B	Length
WP101CD412	1/2"	1/4"	5/8"	2 5/8"
WP101CD819	3/4"	1/2"	1 1/4"	3 5/8"

## Bevel Trim Bit with Ball Bearing Guide, 1/4" & 1/2" shank, 2 Flutes



Tool no.	D	Shank	B	$\alpha$	Length
W02A	5/8"	1/4"	1/4"	15	2 1/8"
W02	1 1/4"	1/4"	17/32"	45	1 7/8"
WP102845	1 1/4"	1/2"	1/2"	45	2 3/8"

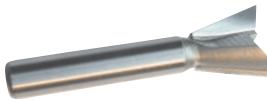
## Joinery Bits, 1/2" shank, 2 Flutes



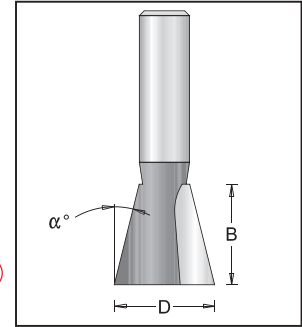
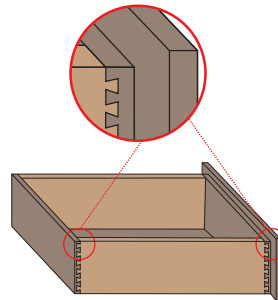
Tool no.	Sides	D	Shank	B	$\alpha$	Length
WP10283060	6 or 12	1 5/8"	1/2"	7/8"	30-60°	2 3/4"
WP1028452	8	1 1/2"	1/2"	7/8"	45°	2 3/4"
WP1028225	16	1 1/2"	1/2"	7/8"	22.5°	2 3/4"



## Dovetail Bits, 2 Flutes



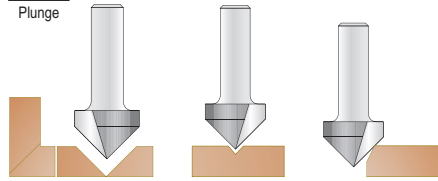
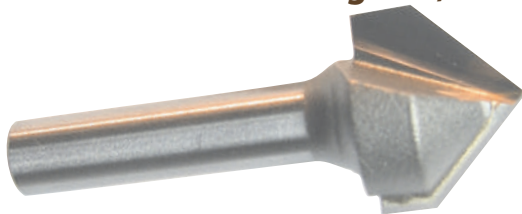
Tool no.	D	Shank	B	$\alpha$	Length
W04	1/2"	1/4"	1/2"	14	1 3/4"
WP104812	1/2"	1/2"	1/2"	14	2 1/8"
WP1048197	3/4"	1/2"	7/8"	7	2 1/2"
WP104825	1"	1/2"	1"	14	2 1/2"



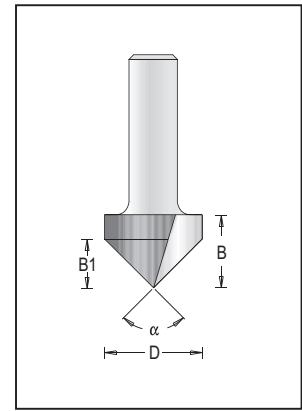
## "V" Grooving Bits, 2 Flutes



Plunge



Tool no.	D	Shank	B	Degree	Length
W05A	3/8"	1/4"	3/8"	60	1 1/2"
W05	1/2"	1/4"	1/2"	90	1 3/4"
WP105812	1/2"	1/2"	1/2"	90	2 1/8"
WP105816	5/8"	1/2"	1/2"	90	2 1/8"
WP105819	3/4"	1/2"	5/8"	90	2 1/4"
WP105825	1"	1/2"	3/4"	90	2 3/8"



## Core Box Bits (Round Nose), 2 Flutes



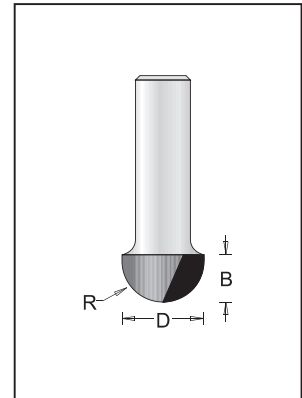
Plunge



Available in RCB



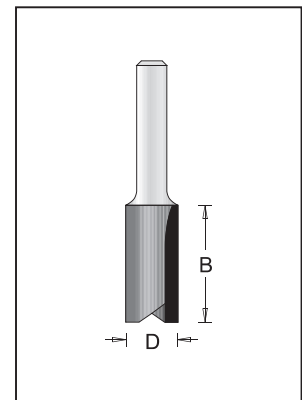
Tool no.	D	Shank	B	R	Length
W06A	1/4"	1/4"	1/4"	1/8"	1 1/2"
W06	1/2"	1/4"	25/64"	1/4"	1 1/2"
WP10685	3/8"	1/2"	3/8"	3/16"	2"
WP10686	1/2"	1/2"	3/8"	1/4"	2"
WP106810	3/4"	1/2"	1/2"	3/8"	2 1/8"
WP106812	1"	1/2"	5/8"	1/2"	2 1/4"



## Straight Bits 1/4" Shank, 2 Flutes



Tool no.	D	Shank	B	Length
W70	3/16"	1/4"	1/2"	1 7/8"
W71	1/4"	1/4"	3/4"	2"
W72	5/16"	1/4"	3/4"	2"
W72A	3/8"	1/4"	3/4"	2"
W73	1/2"	1/4"	3/4"	2"
W74	9/16"	1/4"	3/4"	2"
W75	5/8"	1/4"	3/4"	2"
W79	3/4"	1/4"	3/4"	2"





## Straight Bits 1/2" Shank, 2 Flutes



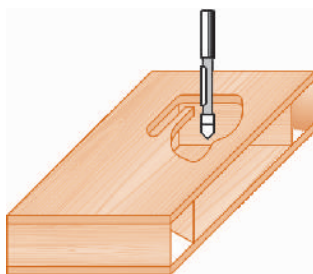
Tool no.	D	Shank	B	Length
WP107L86	1/4"	1/2"	3/4"	2 1/2"
WP107S86	1/4"	1/2"	1"	2 5/8"
WP10788	5/16"	1/2"	3/4"	2 1/2"
WP107L88	5/16"	1/2"	1"	2 3/4"
WP107810	3/8"	1/2"	3/4"	2 3/4"
WP107L810	3/8"	1/2"	1"	2 3/4"
WP107S810	3/8"	1/2"	1 1/4"	2 3/4"
WP107812	1/2"	1/2"	1"	2 5/8"
WP107L812	1/2"	1/2"	1 1/4"	2 7/8"
WP107S812	1/2"	1/2"	1 1/2"	3"
WP107816	5/8"	1/2"	1"	2 5/8"
WP107L816	5/8"	1/2"	1 1/4"	2 7/8"
WP107819	3/4"	1/2"	1"	2 5/8"
WP107L819	3/4"	1/2"	1 1/4"	2 7/8"
WP107S819	3/4"	1/2"	1 1/2"	3"
WP107825	1"	1/2"	1"	2 5/8"
WP107L825	1"	1/2"	1 1/4"	2 7/8"
WP107S825	1"	1/2"	1 1/2"	3"



## Panel Pilot with Drilling Point, 1/2" Shank, 1 Flute



Tool no.	D	Shank	B	Length
WP115812SF	1/2"	1/2"	1 1/8"	3 9/16"

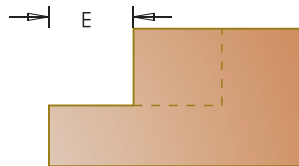




## Rabbeting Bits With 1/2" & 3/8" Ball Bearing Guide, 2 Flutes



Tool no.	D	Shank	B	E	Length
W114	1 1/8"	1/4"	1/2"	3/8"	2 1/8"
WP114832	1 1/4"	1/2"	1/2"	3/8"	2 3/8"
WP114838	1 1/2"	1/2"	1/2"	1/2"	2 3/8"

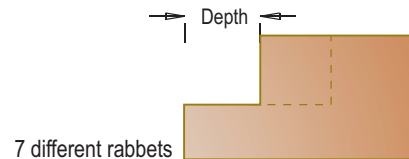
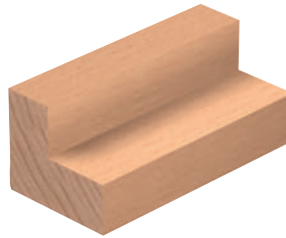


## Rabbeting Cutter Sets, 2 Flutes



Tool no.	Dia.	Shank	B	Depth
WP1187				
consists of:				
WP114838	1-1/2"	1/2"	1/2"	9/16"
BB-12A Ball Bearing	1/2"	1/4"		1/2"
BB-16 Ball Bearing	5/8"	1/4"		7/16"
BB-19 Ball Bearing	3/4"	1/4"		3/8"
BB-22B Ball Bearing	7/8"	1/4"		5/16"
BB-26A Ball Bearing	1"	1/4"		1/4"
BB-32B Ball Bearing	1-1/4"	1/4"		1/8"

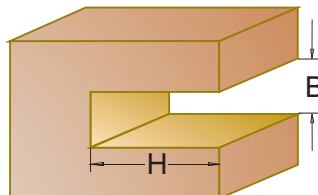
\*B=cutting length



## 4-Wing Slotting Cutter without Bearing



Tool no.	D	Shank	B	H	Length
WP8116	1-1/16"	1/2"	1/16"	3/16"	1-9/16"
WP8564	1-1/16"	1/2"	5/64"	3/16"	1-19/32"
WP8332	1-1/16"	1/2"	3/32"	3/16"	1-39/64"
T10-108	31.5mm	1/4"	2.5mm	11/32"	1 5/8"
T12-108	31.5mm	1/2"	3.0mm	11/32"	1 5/8"
T16-108	31.5mm	1/2"	4.0mm	11/32"	1 5/8"

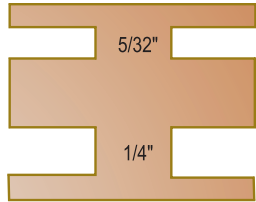
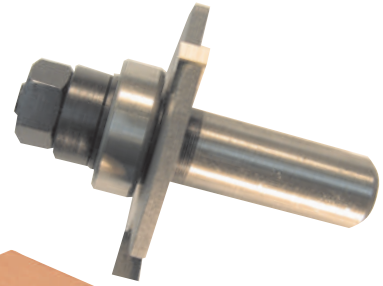




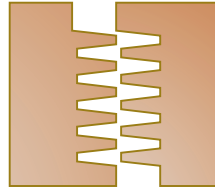
## Slotting Cutters, 3 Flutes



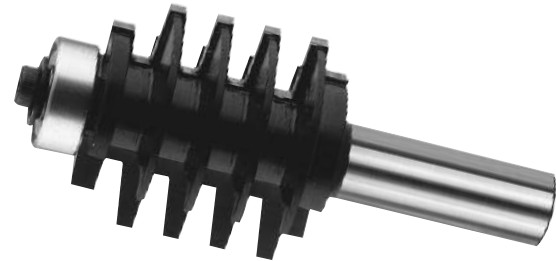
Tool no.	D	ID	Kerf
W84	1 7/8"	5/16"	5/32"
W86	1 7/8"	5/16"	1/4"



## Finger Jointer Router Bit, 2 Flutes



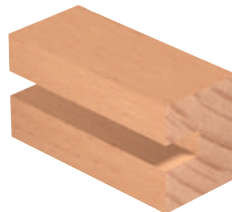
Tool no.	D	Shank	B	H	Length
WPFJ3	1-1/2"	1/2"	1-9/16"	3/8"	3-9/16"
WPFJ5	1-3/4"	1/2"	1-9/16"	1/2"	3-9/16"



## Slot Cutter Set in Wooden Box, 3 Flutes



Tool no.	Dia.	Shank	B=cutting length		Quantity
			B		
WP-QUAD					
consists of:					
Slot Cutter	1-7/8"	5/16"	1/8"		1
Slot Cutter	1-7/8"	5/16"	5/32"		1
Slot Cutter	1-7/8"	5/16"	3/16"		1
Slot Cutter	1-7/8"	5/16"	1/4"		3
BB-22 Ball Bearing	7/8"	8mm	7mm		1
Ball Bearing	1"	8mm	1/4"		1
BB-28B Ball Bearing	1-1/8"	8mm	1/4"		1
Ball Bearing	1-3/8"	8mm	1/4"		1
1/2" Arbor	1/2"	1/2"			1
1/2" Arbor	1/2"	1/2"			1





## Biscuit Joiner Set - 6 piece Set



This set is designed to cut slots in wood for biscuit joints, using your Router. By replacing the bearing, you can achieve 3 depths to accommodate the common wood biscuit sizes.  
- Economical: No need to buy a Biscuit cutter machine.

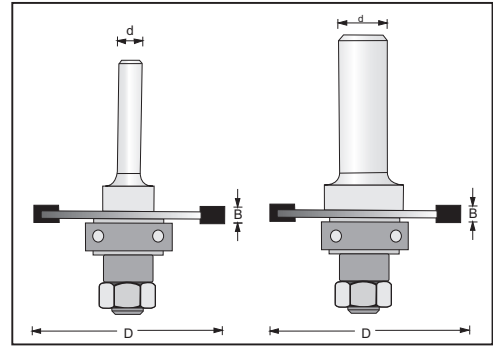
Tool no.	Description
WBJ	Biscuit Joiner Set for #0, #10, #20 wood biscuits, 1/4" shank & 1/2" shank

Replacement Parts:

108R-4	1/4" Arbor included
108R-12	1/2" Arbor included
W84	5/32" kerf, 3 wing slotting cutter, 1-7/8" Dia.
BB-22	5/16" x 7/8" ball bearing
BB-28M	5/16" x 1-1/8" (28mm) ball bearing
BB-31	5/16" x 1-7/32" (31mm) ball bearing



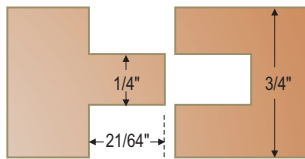
Wood biscuits, #0, #10, #20,  
See Page 273




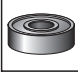
## Tongue and Groove Set, 2 Piece, 1/2" Shank, 4 Flutes



Tool no.	Set Includes:
WP143	W864 1/4" Cutter



Replacement Parts:

	
Cutter Width 1/4" 41mm W864	Ball Bearing 24mm BB-24M

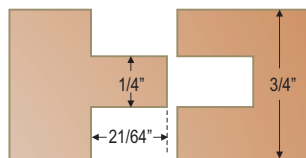
- 4 Cutting edges for smoother, cleaner surface.
- High quality carbide for longer edge life




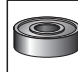
## Tongue and Groove Set, Reversible 1 Piece, 1/2" Shank, 4 Flutes



Tool no.	D	Shank	B	Length
WP143840	1 39/64"	1/2"	3/4"	3 13/16"



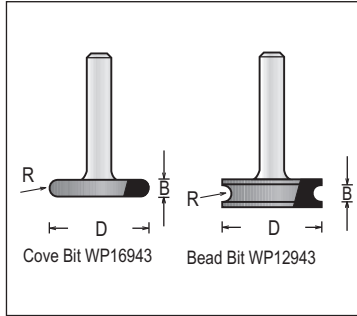
Replacement Parts:

	
Cutter Width 1/4" 41mm W864	Ball Bearing 24mm BB-24M

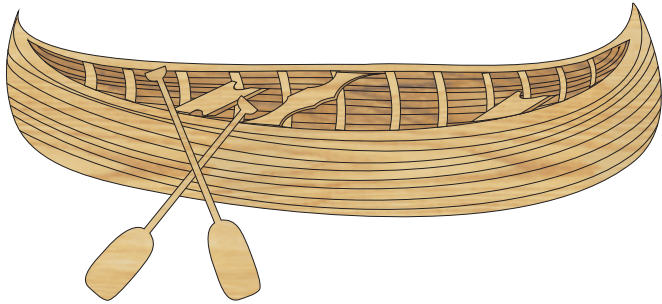
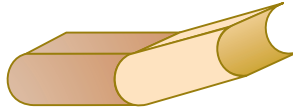




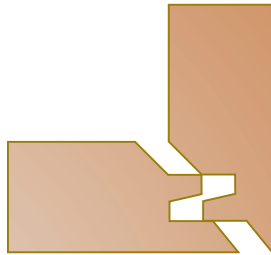
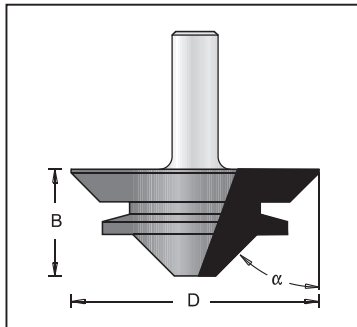
## Bead & Cove Canoe Bits, 1/4" Shank, 2 Flutes



Tool no.	D	Shank	B	Radius	Length
WP-SET-CANOE					
WP16943	1 1/2"	1/4"	1/4"	1/8"	1 1/2"
WP12943	1 1/2"	1/4"	15/32"	1/8"	1 1/2"



## Miter Lock Bits, 2 Flutes



Tool no.	D	Shank	B	α	Length
WP149845	1 3/4"	1/2"	13/16"	45	2 1/4"

## 4 Piece Roundover Set, 1/4" & 1/2" Shank, in Wooden Box, 2 Flutes



Tool no.	Dia.	Shank	B	Radius	Length
WP-SET-1098					
consists of:					
WP10983	3/4"	1/2"	13/32"	1/8"	2 5/16"
WP10986	1"	1/2"	17/32"	1/4"	2 9/16"
WP109810	1 1/4"	1/2"	21/32"	3/8"	2 11/16"
WP109812	1 1/2"	1/2"	3/4"	1/2"	2 13/16"

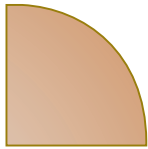


Tool no.	Dia.	Shank	B	Radius	Length
WP-SET-1094					
consists of:					
W90	3/4"	1/4"	13/32"	1/8"	2 1/8"
W91	1"	1/4"	17/32"	1/4"	2 3/16"
W92	1 1/4"	1/4"	21/32"	3/8"	2 5/16"
W93	1 1/2"	1/4"	3/4"	1/2"	2 7/16"

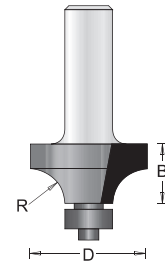
B=cutting length



## Rounding Over Bits, 2 Flutes, with 1/2" Ball Bearing



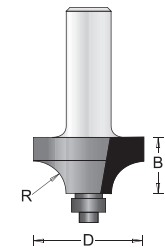
Tool no.	D	Shank	B	R	Length
W90	3/4"	1/4"	13/32"	1/8"	2 1/8"
W91	1"	1/4"	17/32"	1/4"	2 3/16"
W91A	1 1/8"	1/4"	5/8"	5/16"	2 1/4"
W92	1 1/4"	1/4"	21/32"	3/8"	2 5/16"
W93	1 1/2"	1/4"	3/4"	1/2"	2 7/16"
WP10983	3/4"	1/2"	13/32"	1/8"	2 5/16"
WP10986	1"	1/2"	17/32"	1/4"	2 9/16"
WP10988	1 1/8"	1/2"	5/8"	5/16"	2 11/16"
WP109810	1 1/4"	1/2"	21/32"	3/8"	2 11/16"
WP109812	1 1/2"	1/2"	3/4"	1/2"	2 13/16"
WP109816	1 3/4"	1/2"	7/8"	5/8"	2 15/16"
WP109819	2"	1/2"	1"	3/4"	3 1/16"
WP109825	2 1/2"	1/2"	1 1/4"	1"	3 5/16"



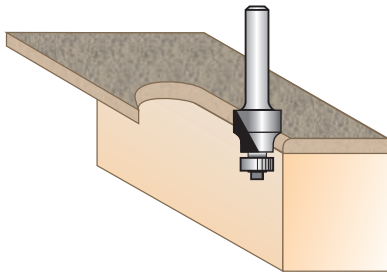
## Beading Bits, 2 Flutes, with 3/8" Ball Bearing



Tool no.	D	Shank	B	R	Length
W90S	3/4"	1/4"	13/32"	1/8"	2 1/8"
W91S	1"	1/4"	17/32"	1/4"	2 3/16"
W91AS	1 1/8"	1/4"	5/8"	5/16"	2 1/4"
W92S	1 1/4"	1/4"	21/32"	3/8"	2 5/16"



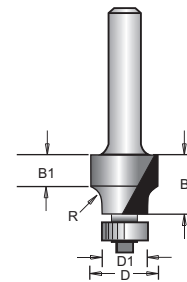
## X-File Bits with Ball Bearing Guide, 2 Flutes



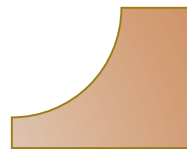
These innovative carbide tipped bits are real time savers. The usual sharp edge created when trimming cut of laminated materials are no longer a concern. There is no need to further file the edge of laminated woods. The lamination is always trimmed flush with the backing material.

Replacement Parts:  
Ball Bearing: BB-10A  
Spring Washer: 1950040

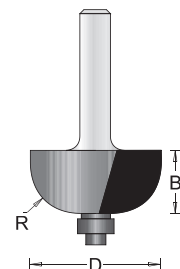
Tool no.	D	D1	Shank	B	B1	R	Length
109R4-1.5X	1/2"	3/8"	1/4"	3/8"	3/16"	.059" (1.5mm)	1 7/8"
109R8-1.5X	1/2"	3/8"	1/2"	3/8"	3/16"	.059" (1.5mm)	2 1/8"



## Cove Bits with Ball Bearing Guide, 2 Flutes



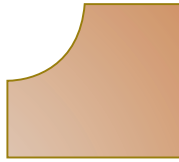
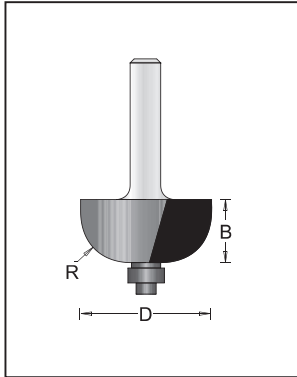
Tool no.	D	Shank	B	R	Length
W112	7/8"	1/4"	1/2"	1/4"	2 1/8"
W112A	1 1/8"	1/4"	3/8"	3/8"	2 1/16"
WP112810	1 1/8"	1/2"	1/2"	3/8"	2 1/2"
WP112812	1 3/8"	1/2"	5/8"	1/2"	2 11/16"





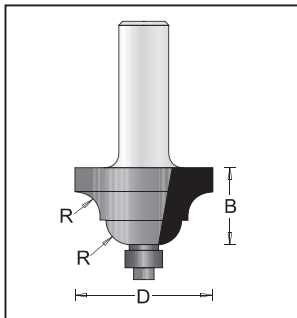


## Roman Ogee Bits with Ball Bearing Guide, 2 Flutes



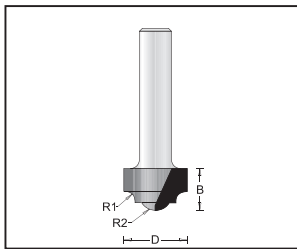
Tool no.	D	Shank	B	R	Length
W113	1"	1/4"	15/32"	5/32"	2 5/32"
WP11384	1"	1/2"	1/2"	5/32"	2 1/2"
WP11386	1 3/8"	1/2"	11/16"	1/4"	2 3/4"

## Roman Ogee Bits with Ball Bearing Guide, 2 Flutes



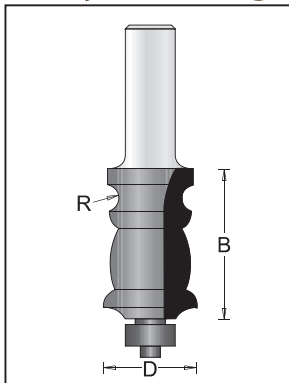
Tool no.	D	B	Shank	R	Length
WP113P84	1 3/16"	1/2"	1/2"	5/32"	2 11/16"
WP113P86	1 9/16"	3/4"	1/2"	1/4"	2 3/4"

## Classical Plunge Bit, 2 Flutes



Tool no.	D	Shank	B	R	Length
W27	1/2"	1/4"	3/8"	3/32"	1 21/32"

## Fancy Moulding Bit, 2 Flutes

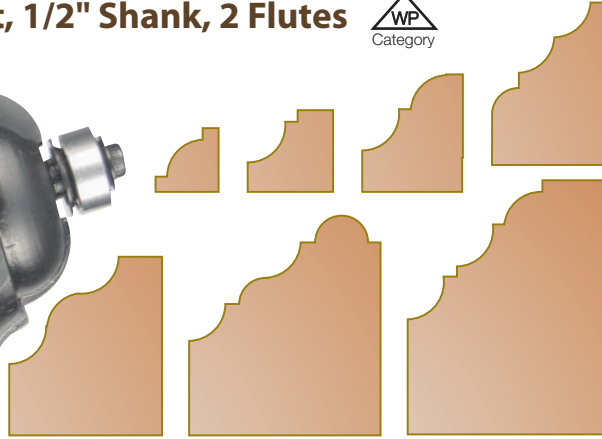
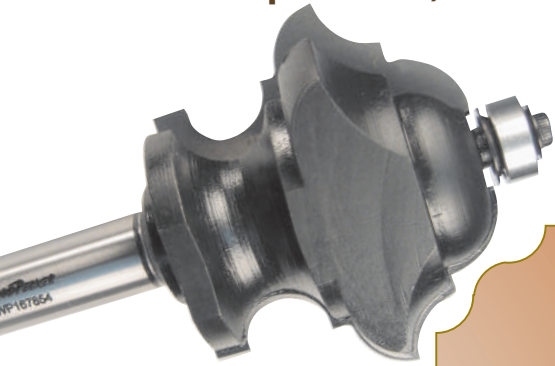


Tool no.	D	Shank	B	Length
WP156822	7/8"	1/2"	1 5/8"	3 9/16"

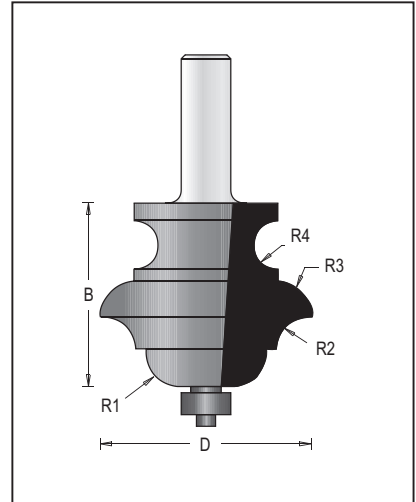
# Routing



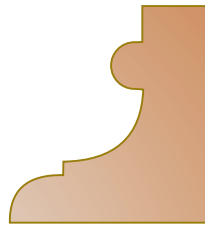
## Multiprofile Bit, 1/2" Shank, 2 Flutes



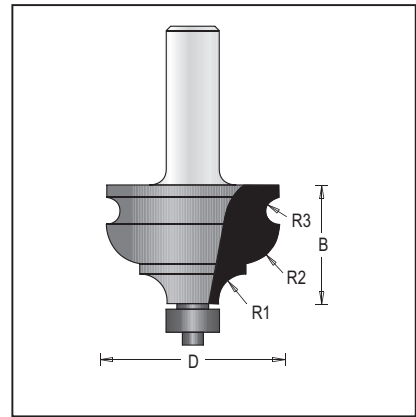
Tool no.	D	Shank	B	R1	R2	R3	Length
WP167854	2 1/4"	1/2"	1 7/8"	3/8"	11/32"	11/32"	4"



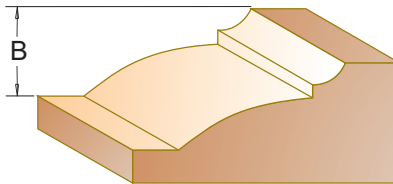
## Moulding Bit, 1/2" Shank, 2 Flutes



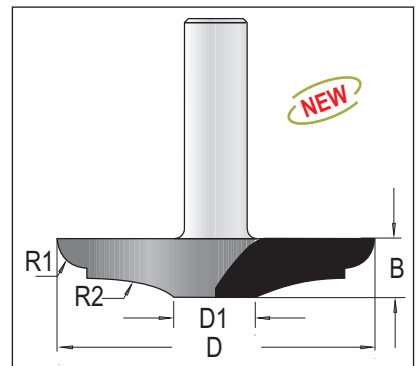
Tool no.	D	Shank	B	R1	R2	R3	Length
WP167842	1 3/4"	1/2"	1 1/8"	1/4"	3/8"	1/8"	3 7/64"



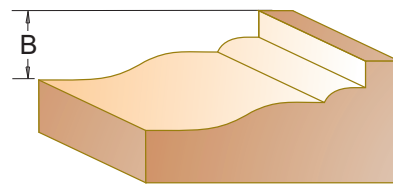
## Classical Plunge Bit



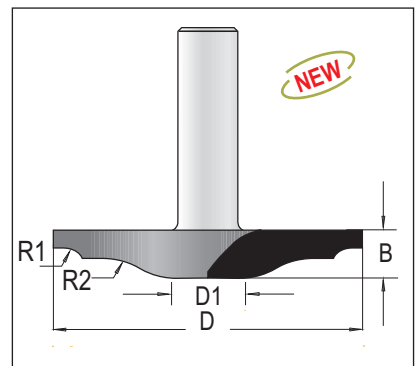
Tool no.	D	D1	Shank	B	Length	R1	R2
WP126A8	2-1/2"	25/32"	1/2"	7/16"	2-5/32"	7/32"	2"
WP126A9	2-7/8"	35/64"	1/2"	1/2"	2-1/2"	1/4"	2-1/4"
WP126A11	3-5/8"	5/8"	1/2"	9/16"	2-9/16"	1/4"	3"

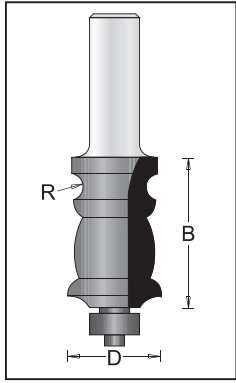


## Classical Plunge Bit



Tool no.	D	D1	Shank	B	Length	R1	R2
WP126C8	2-1/2"	15/32"	1/2"	5/16"	2-1/4"	3/16"	1/2"
WP126C9	3"	33/64"	1/2"	23/64"	2-9/16"	7/32"	3/4"
WP126C11	3-5/8"	5/8"	1/2"	13/32"	2-7/8"	1/4"	1-1/8"

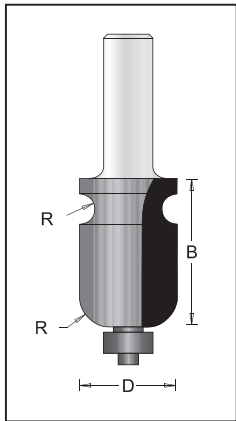




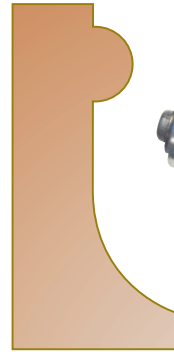
## Fancy Moulding Bits, 2 Flutes



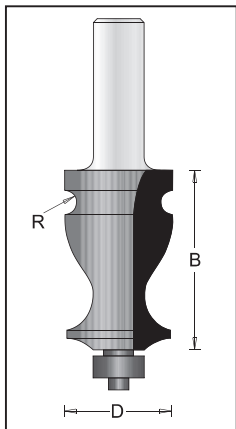
Tool no.	D	Shank	B	Length
WP156825	1"	1/2"	1 3/8"	3 3/8"



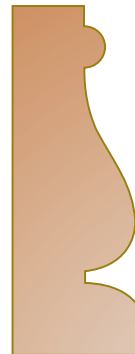
## Fancy Moulding Bit, 2 Flutes



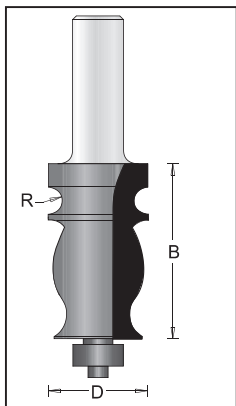
Tool no.	D	Shank	B	Length
WP156826	7/8"	1/2"	1 5/8"	3 9/16"



## Fancy Moulding Bit, 2 Flutes



Tool no.	D	Shank	B	Length
WP156827	1 1/8"	1/2"	1 5/8"	3 1/2"



## Fancy Moulding Bits, 2 Flutes



Tool no.	D	Shank	B	Length
WP156828	1"	1/2"	1 5/8"	3 9/16"



## 7 Piece Moulding Set in Wooden Box, 2 Flutes

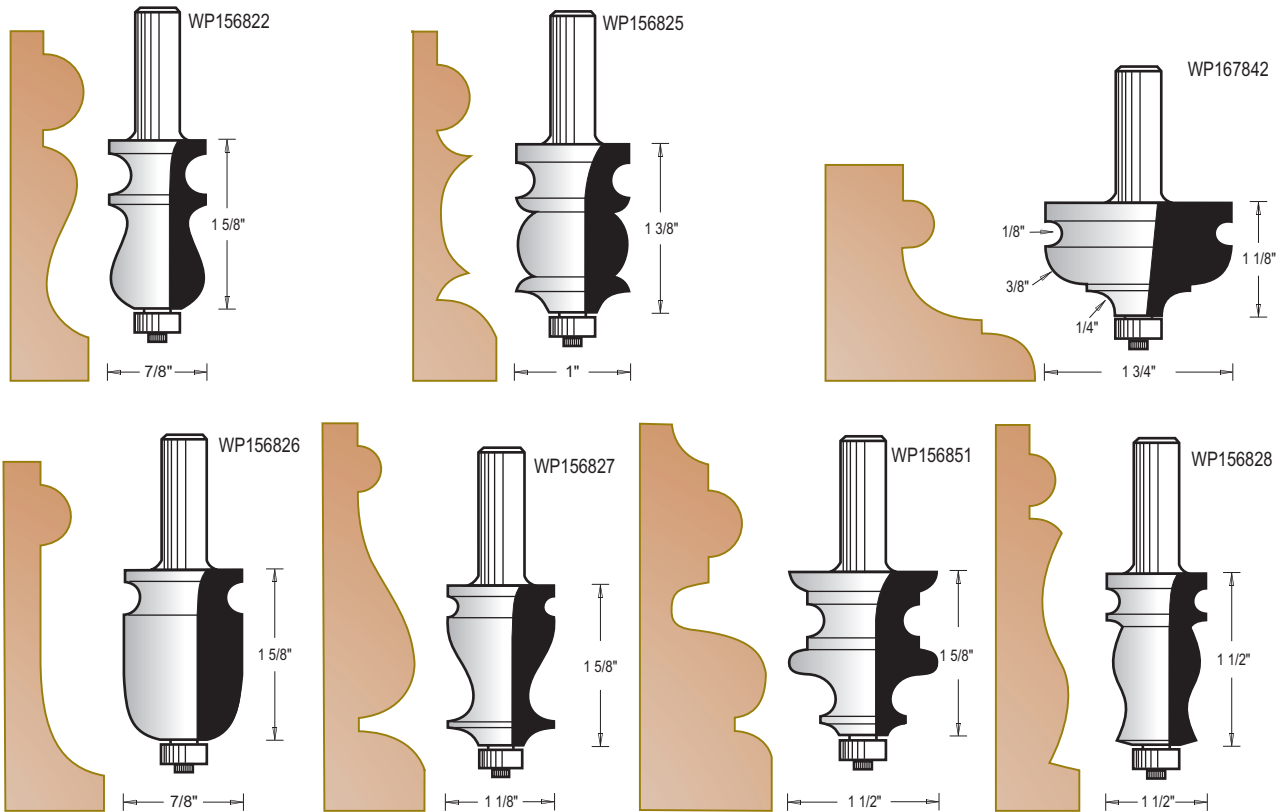


Tool no.	D	Shank	B	Length
WP-SET-M7	<b>Complete Set</b>			
consists of:				
WP156826	7/8"	1/2"	1-5/8"	3-9/16"
WP156822	7/8"	1/2"	1-5/8"	3-9/16"
WP156825	1"	1/2"	1-3/8"	3-3/8"
WP156827	1-1/8"	1/2"	1-5/8"	3-17/32"
WP156828	1"	1/2"	1-5/8"	3-9/16"
WP156851	1-1/2"	1/2"	1-1/2"	3-7/16"
WP167842	1-3/4"	1/2"	1-1/8"	3-7/64"



- Full size carbide tips for better chip ejection
- Thick carbide (2.2mm) for 10-15 sharpening
- CNC machined hardened body for vibration free operation

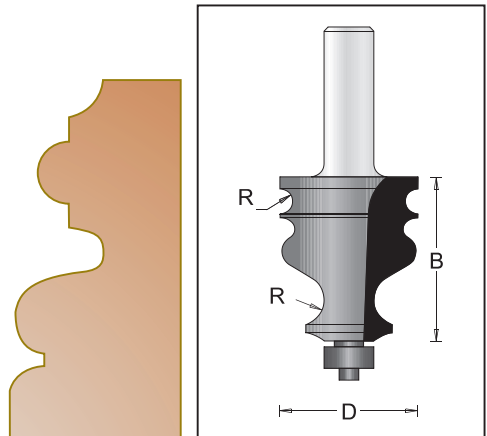
- Precise match of body to carbide contour for better edge support
- Anti kick-back body design for safe and easy feed while protecting your motor
- Attractive box to protect your router bits



## Edge Forming Bit, 2 Flutes

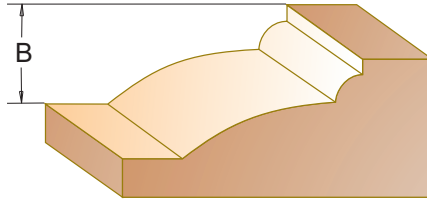
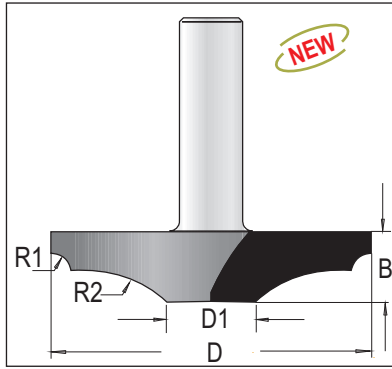


Tool no.	D	Shank	B	Length
WP156851	1 1/2"	1/2"	1 1/2"	3 7/16"



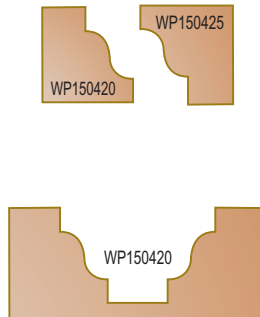
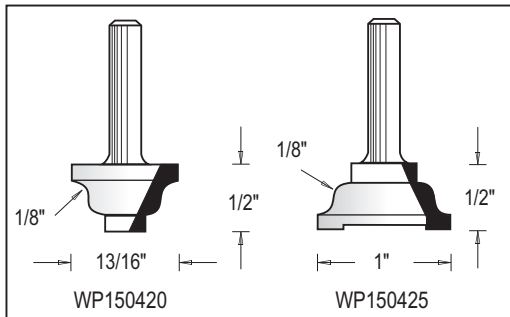


## Classical Plunge Bit

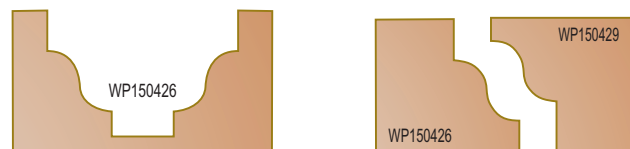
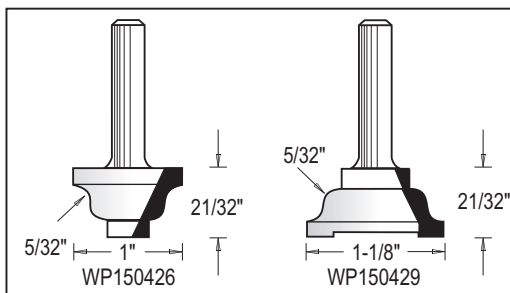


Tool no.	D	D1	Shank	B	Length	R1	R2
WP126D6	2-1/2"	35/64"	1/2"	3/8"	2-1/4"	3/16"	1"
WP126D7	3"	35/64"	1/2"	27/64"	2-9/16"	1/4"	1-1/4"
WP126D8	3-1/2"	45/64"	1/2"	33/64"	2-5/8"	5/16"	1-1/2"

## 3 Flutes



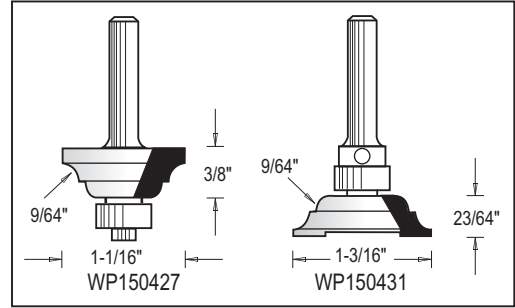
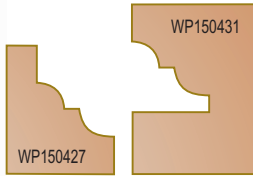
Tool no.	D	Shank	B	R	Length
WP150RA	Complete Set (2 Bits)				
WP150420	13/16"	1/4"	1/2"	1/8"	1 5/8"
WP150425	1"	1/4"	1/2"	1/8"	1 5/8"



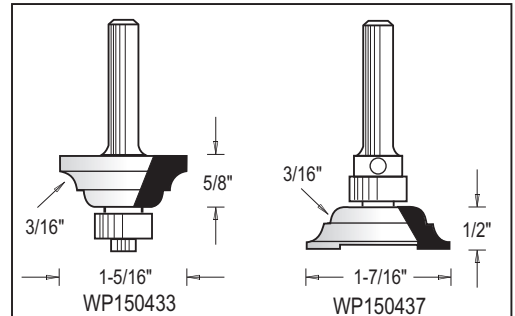
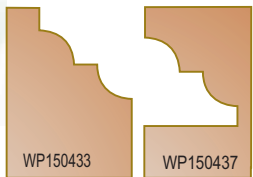
Tool no.	D	Shank	B	R	Length
WP150RB	Complete Set (2 Bits)				
WP150426	1"	1/4"	21/32"	5/32"	1 25/32"
WP150429	1 1/8"	1/4"	21/32"	5/32"	1 25/32"



## 3 Flutes

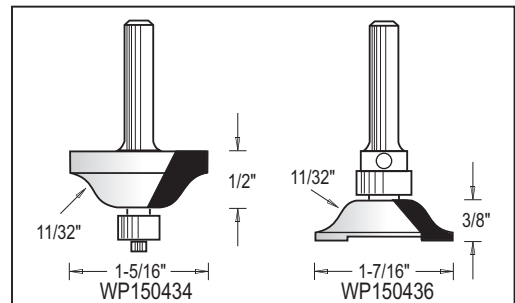
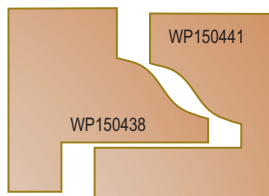


Tool no.	D	Shank	B	R	Length
WP150RC Complete Set (2 Bits)					
WP150427	1 1/16"	1/4"	3/8"	9/64"	2"
WP150431	1 3/16"	1/4"	23/64"	9/64"	2"

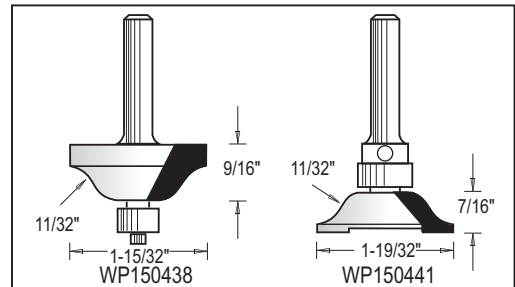
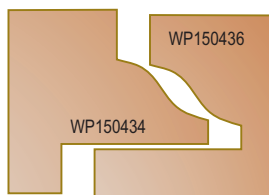


Tool no.	D	Shank	B	R	Length
WP150RD Complete Set (2 Bits)					
WP150433	1 5/16"	1/4"	5/8"	3/16"	2"
WP150437	1 7/16"	1/4"	1/2"	3/16"	2"

## Rail & Stile/Coped Stick Bits



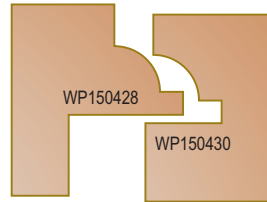
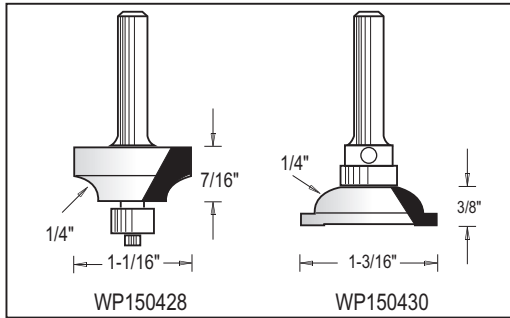
Tool no.	D	Shank	B	R	Length
WP150RE Complete Set (2 Bits)					
WP150434	1 5/16"	1/4"	9/16"	11/32"	2 3/64"
WP150436	1 7/16"	1/4"	3/8"	11/32"	2"



Tool no.	D	Shank	B	R	Length
WP150RF Complete Set (2 Bits)					
WP150438	1 15/32"	1/4"	9/16"	11/32"	2 3/64"
WP150441	1 19/32"	1/4"	7/16"	11/32"	2"

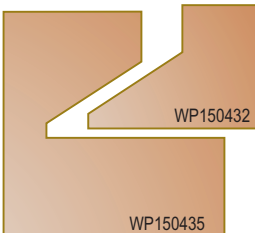
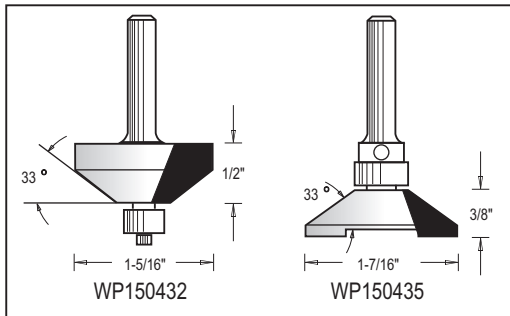


## Cope & Stick Bits, 2 Piece Sets, 1/4" Shank, 3 Flutes

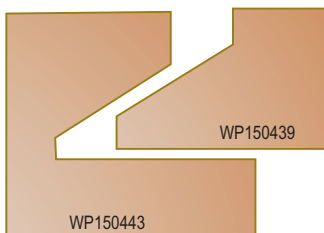
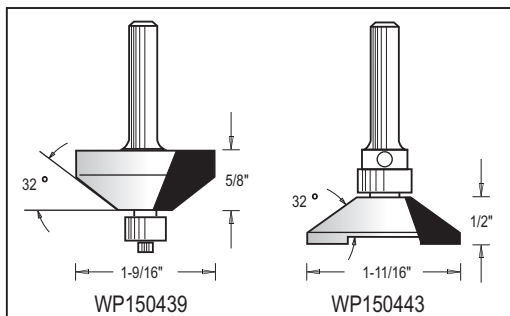


Tool no.	D	Shank	B	R	Length
WP150RG	Complete Set (2 Bits)				
WP150428	1 1/16"	1/4"	29/64"	15/64"	1 31/32"
WP150430	1 3/16"	1/4"	23/64"	15/64"	1 57/64"

## Cope & Stick Bits, 2 Piece Sets, 1/4" Shank, 3 Flutes



Tool no.	D	Shank	B	a	Length
WP150RH	Complete Set (2 Bits)				
WP150432	1 5/16"	1/4"	35/64"	33°	2"
WP150435	1 7/16"	1/4"	25/64"	33°	1 31/32"



Tool no.	D	Shank	B	a	Length
WP150RI	Complete Set (2 Bits)				
WP150439	1 9/16"	1/4"	43/64"	32°	2 11/64"
WP150443	1 11/16"	1/4"	1/2"	32°	1 31/32"

# Routing



## 6 Piece Cabinet Door Set in Wooden Box, 2 Flutes

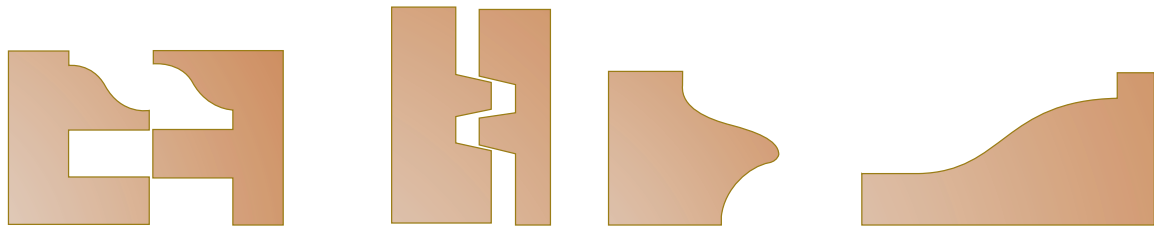
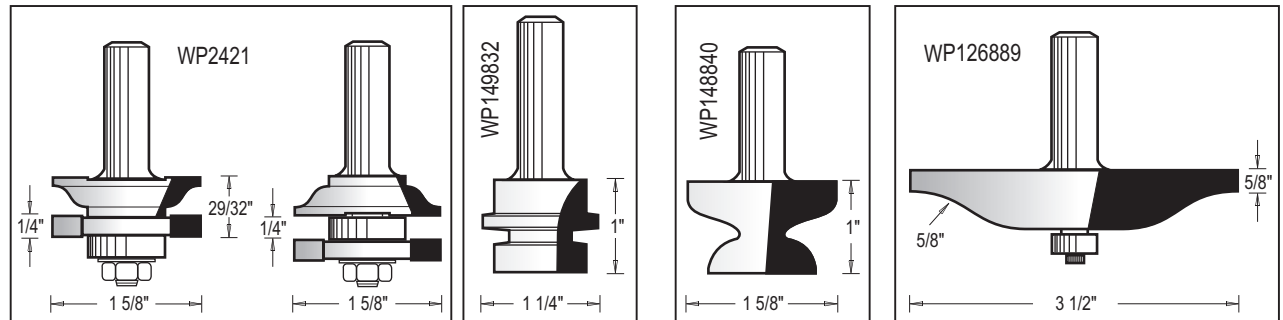
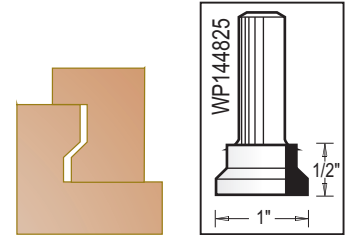


- Full size carbide tips for better chip ejection
- Thick carbide (2.2mm) for 10-15 sharpenings
- CNC machined hardened body for vibration free operation
- Precise match of body to carbide contour for better edge support
- Anti kick-back body design for safe and easy feed while protecting your motor
- Attractive box to protect your router bits



ROUTING  
WOODPECKER

Tool no.	D	Shank	B	Length
WP-SET-6				
consists of:				
WP2421	1 5/8"	1/2"	29/32"	2 29/32"
WP126889	3 1/2"	1/2"	3/4"	3 1/8"
WP149832	1 1/4"	1/2"	1"	3"
WP148840	1 5/8"	1/2"	1"	2 1/2"
WP144825	1"	1/2"	1/2"	1 7/8"



## Cabinet Door Set, 1/4" Shank, 2 Flutes

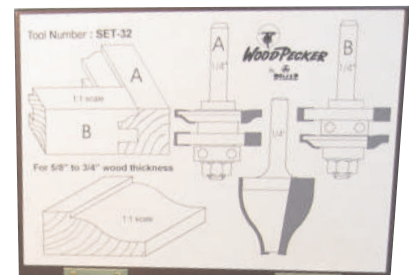
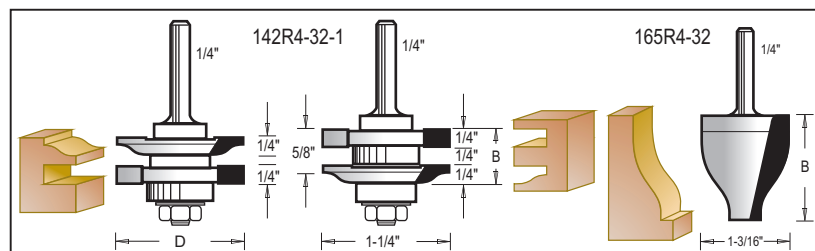


For 5/8" to 3/4" wood thickness

Tool no.	Description
SET-32	Rail & Stile (Reversible) Bit With Vertical Raised Panel Bit

Set Consists of The Following Bits

Tool no.	Description	D	B	L
142R4-32-1	1 Pc Reversible Rail & Stile Bit	1 1/4"	3/4"	2 5/8"
165R4-32	Vertical Raised Panel Bit	1 3/16"	1 5/16"	2 5/8"





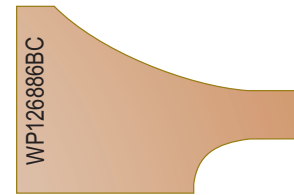
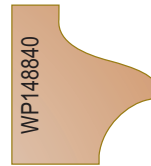
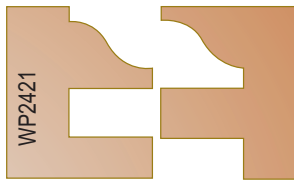
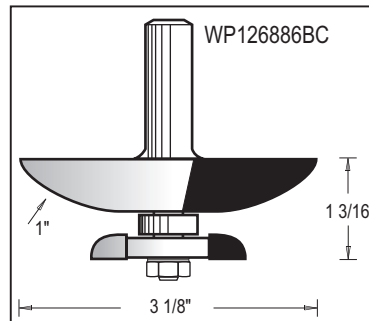
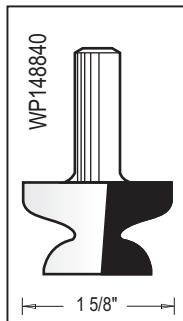
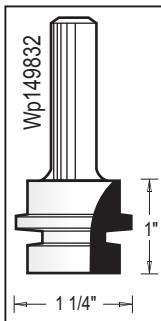
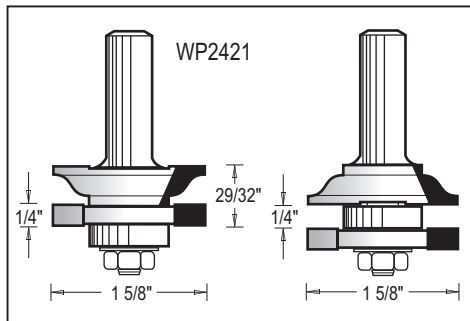
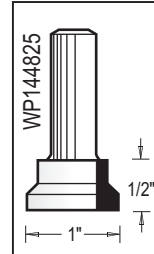


## 6 Piece Cabinet Door Set in Wooden Box, 2 Flutes



- Full size carbide tips for better chip ejection
- Thick carbide (2.2mm) for 10-15 sharpenings
- CNC machined hardened body for vibration free operation
- Precise match of body to carbide contour for better edge support
- Anti kick-back body design for safe and easy feed while protecting your motor
- Attractive box to protect your router bits
- Economically priced to fit your budget

Tool no.	D	Shank	B	Length
WP-SET-6BC				
consists of:				
WP2421	1 5/8"	1/2"	29/32"	2 29/32"
WP126886BC	3 1/8"	1/2"	1"	3 5/16"
WP149832	1 1/4"	1/2"	1"	3"
WP148840	1 5/8"	1/2"	1"	2 1/2"
WP144825	1"	1/2"	1/2"	1 7/8"

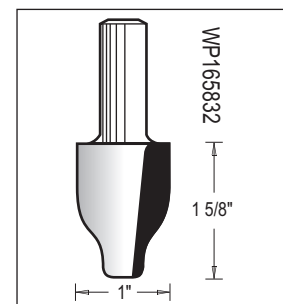
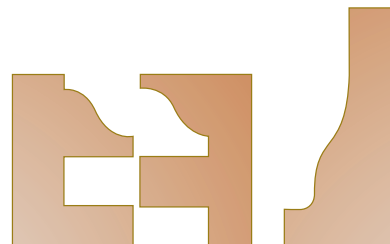
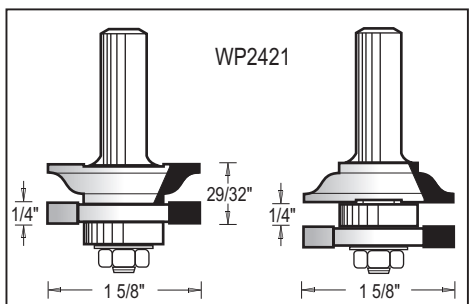


## 3 Piece Cabinet Door Set with Vertical Raised Panel & Rail/Stile Ogee bits, 2 Flutes



Tool no.	D	Shank	B	Length
WP242132				
consists of:				
WP165832	1"	1/2"	1 5/8"	3 3/16"
WP2421	1 5/8"	1/2"	29/32"	2 29/32"

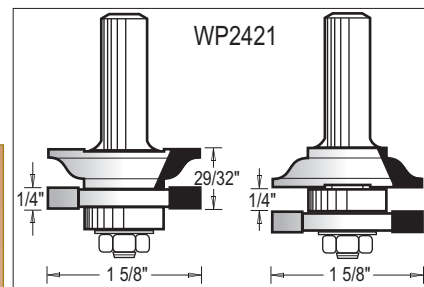
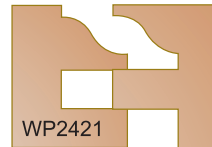
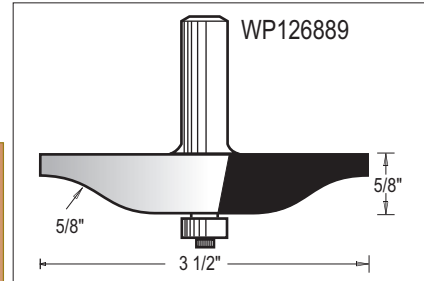
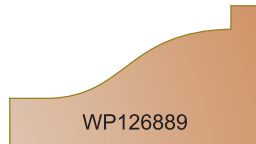
- Full size carbide tips for better chip ejection
- Thick carbide (2.2mm) for 10-15 sharpenings
- Solid wood box to protect your router bits
- Economically priced to fit your budget
- CNC machined hardened body for vibration free operation
- Precise match of body to carbide contour for better edge support
- Anti kick-back body design for safe and easy feed while protecting your motor





## 3 Piece Cabinet Door Set, Ogee bits, 2 Flutes

Tool no.	D	Shank	Length
WP242189			
consists of:			
WP126889	3 1/2"	1/2"	3 1/8"
WP2421	1 5/8"	1/2"	2 29/32"

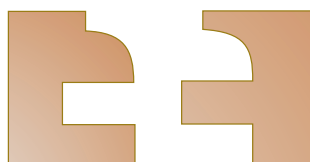
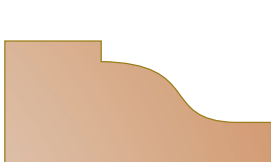
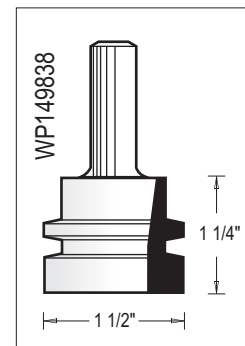
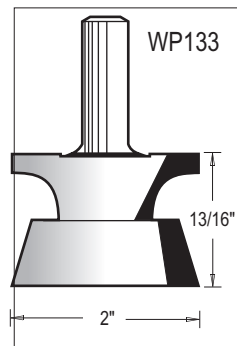
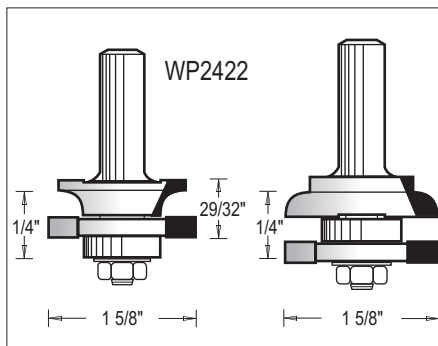
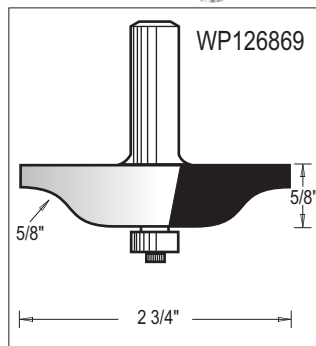


## 5 Piece Cabinet Door Set In Wooden Box, 2 Flutes



- Full size carbide tips for better chip ejection
- Thick carbide (2.2mm) for 10-15 sharpenings
- CNC machined hardened body for vibration free operation
- Precise match of body to carbide contour for better edge support
- Anti kick-back body design for safe and easy feed while protecting your motor
- Attractive box to protect your router bits

Tool no.	D	Shank	B	Length
WP-SET-5A				
consists of:				
WP2422	1 5/8"	1/2"	29/32"	2 29/32"
WP126869	2 3/4"	1/2"	5/8"	2 7/8"
WP133	2"	1/2"	1 3/16"	2 3/4"
WP149838	1 1/2"	1/2"	1 1/4"	2 3/4"





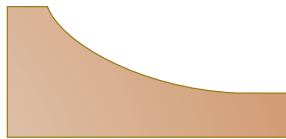
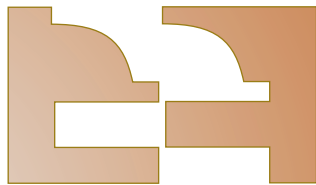
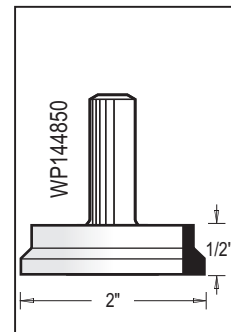
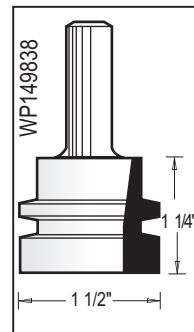
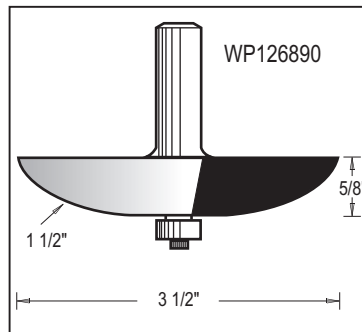
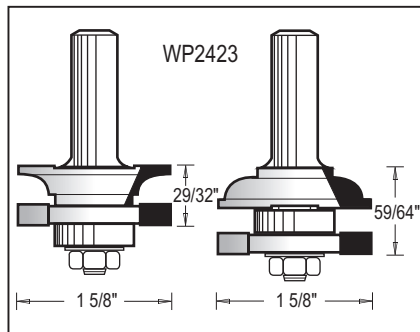
## 5 Piece Cabinet Door Set in Wooden Box, 2 Flutes



- Full size carbide tips for better chip ejection
- Thick carbide (2.2mm) for 10-15 sharpenings
- CNC machined hardened body for vibration free operation
- Precise match of body to carbide contour for better edge support
- Anti kick-back body design for safe and easy feed while protecting your motor
- Attractive box to protect your router bits
- Economically priced to fit your budget



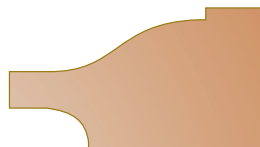
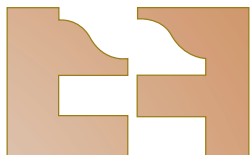
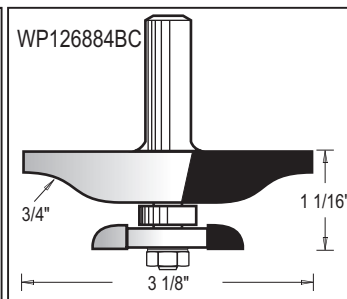
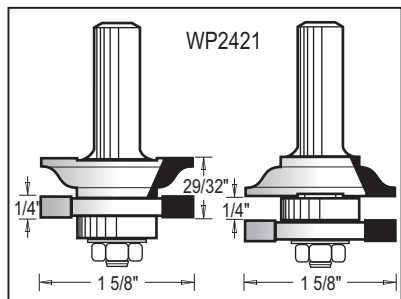
Tool no.	D	Shank	B	Length
WP-SET-5B				
consists of:				
WP2423	1 5/8"	1/2"	29/32"	2 29/32"
WP126890	3 1/2"	1/2"	3/4"	3"
WP149838	1 1/2"	1/2"	1 1/4"	2 3/4"
WP144850	2"	1/2"	1/2"	2"



## 3 Piece Ogee Style Cabinet Door Set with Back Cutter, 2 Flutes



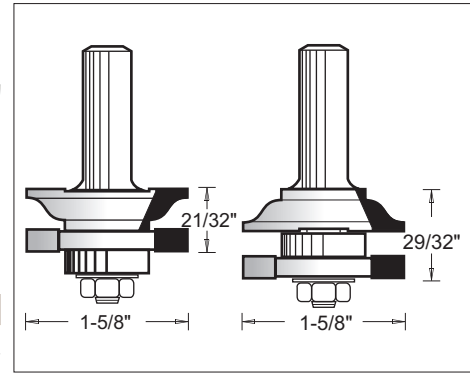
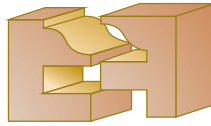
Tool no.	D	Shank	Length
WP242184BC			
consists of:			
WP126884BC	3 1/8"	1/2"	3 5/16"
WP2421	1 5/8"	1/2"	2 29/32"





## Rail & Stile Bits, 2 Piece sets, 1/2" Shank WP Category

- Full size carbide tips for better chip ejection.
- Thick carbide (2.2mm) for 10-15 sharpenings
- CNC machined hardened body for vibration free operation
- Precise match of body to carbide contour for better edge support
- Anti kick-back body design for safe and easy feed while protecting your motor
- Solid wood box to protect your router bits
- Economically priced to fit your budget

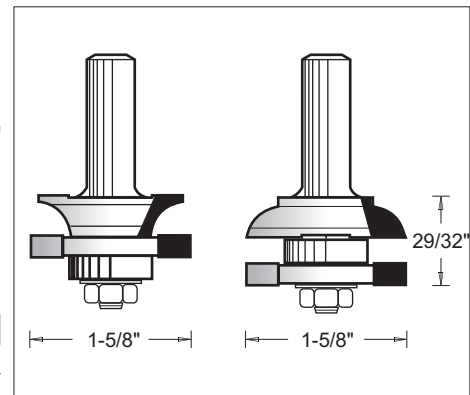
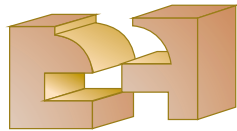


### 2 piece set!

Tool no.	D	Shank	B	Length
WP2421	1 5/8"	1/2"	29/32"	2 29/32"

Replacement Parts: Ball Bearing: BB-22; Spacer: 1920130; Nut: 108R-N

## Rail & Stile Bits, 2 Piece sets, 1/2" Shank WP Category

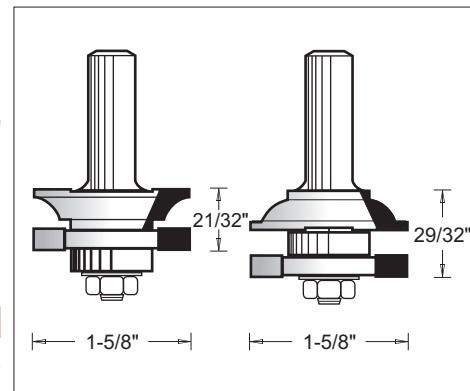
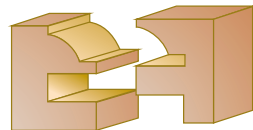


### 2 piece set!

Tool no.	D	Shank	B	Length
WP2422	1 5/8"	1/2"	29/32"	2 29/32"

Replacement Parts: Ball Bearing: BB-22; Spacer: 1920130; Nut: 108R-N

## Rail & Stile Bits, 2 Piece sets, 1/2" Shank WP Category



### 2 piece set!

Tool no.	D	Shank	B	Length
WP2423	1 5/8"	1/2"	29/32"	2 29/32"

Replacement Parts: Ball Bearing: BB-22; Spacer: 1920130; Nut: 108R-N

## Tongue and Groove Set, 2 Piece, 1/2" Shank, 4 Flutes WP Category



- 4 Cutting edges for smoother, cleaner surface
- High quality carbide for longer edge life

Tool no.	Set Includes:
WP143	W864 1/4" Cutter

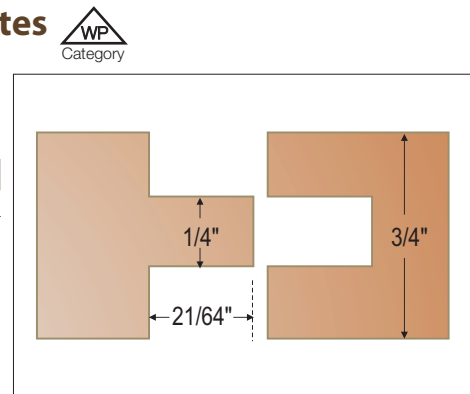
Replacement Parts:



Cutter Width 1/4"  
41mm  
W864



Ball Bearing  
24mm  
BB-24M





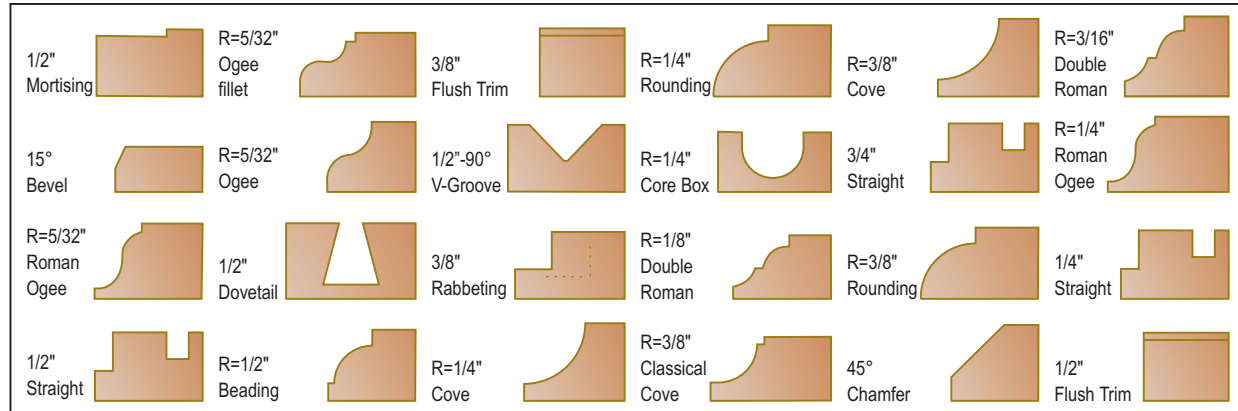
## 24 Piece Carbide Tipped Router Bit Sets, 3 Flutes



- 3 Cutting edges for smoother, cleaner surface
- Most popular bits to suit most applications
- High quality carbide for longer edge life
- Thick carbide tips - prolongs service life
- Chip limitation design for safe operation
- Hardened steel body for stable performance



Tool no.	Description
WP24-3	24 pc SET, 1/4" shank, IN DOUBLE WOOD BOX
WP2412-3	24 pc SET, 1/2" shank, IN DOUBLE WOOD BOX



## 12 Piece Carbide Tipped Router Bit Sets, 3 Flutes



- 3 Cutting edges for smoother, cleaner surface
- Most popular bits to suit most applications
- High quality carbide for longer edge life
- Thick carbide tips - prolongs service life
- Chip limitation design for safe operation



Tool no.	Description
WP12-3	12 pc SET, 1/4" shank, IN WOOD BOX
WP1212-3	12 pc SET, 1/2" shank, IN WOOD BOX

## 12 Piece Carbide Tipped Router Bit Set, 1/2" Shank, 2 Flutes



- Original premium quality bits made by Dimar.
- C.N.C. machined - German steel and carbide.
- Thick carbide - advanced D- Max carbide for sharper edge and longer life.
- Anti-kickback design - for maximum safety and easy routing with less torque.
- The perfect 12 piece starter set for industrial, professional and the do-it-yourselfer.

Tool no.	Shank
R-SET-12	1/2"

R-SET-12 consists of the following 12 router bits:

Flush trim, 1/2" dia.	101R8-1	Rounding over, 1/4" radius	109R8-6
Chamfer, 45°	102R8-45	Rounding over, 3/8" radius	109R8-10
Dovetail, 1/2" dia. - 14°	104R8-12	Cove, 1/4" radius	112R8-6
V Grooving, 1/2" dia. - 90°	105R8-12	Roman ogee, 5/32" radius	113R8-4
Core box, 1/4" radius	106R8-6	Rabbeting, 3/8"	114R8-32
Straight, 1/4" dia.	107R8-6	Allen Key, 3/32"	1940010
Straight, 1/2" dia.	107R8-12	Allen Key, 5/64"	1940040





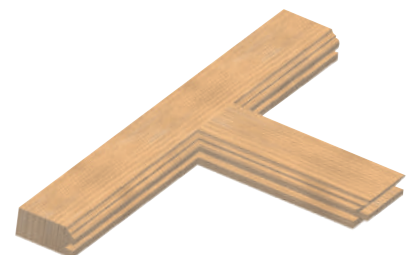
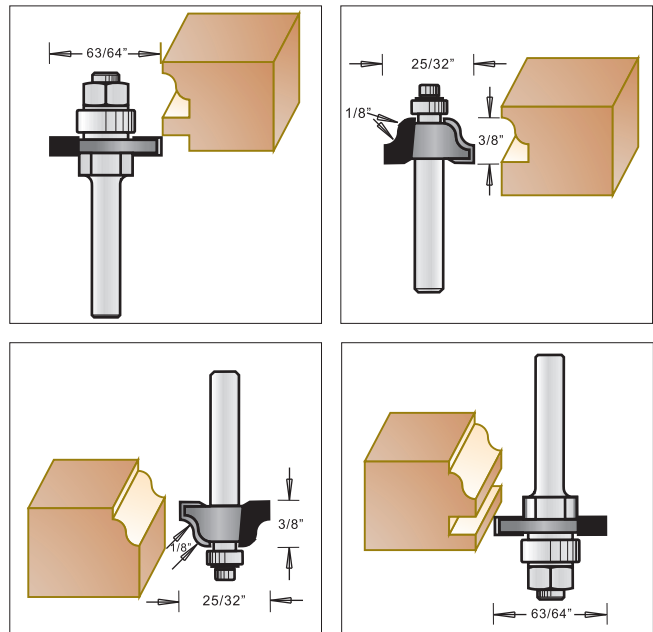
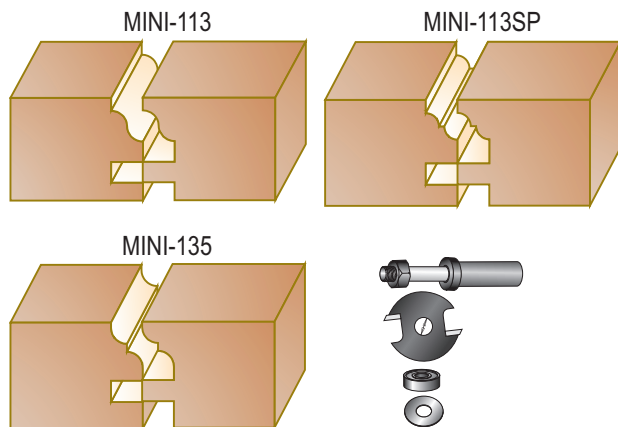
## Divided Light Door Router Bit Set for Stylish Glass Panes, 2 Flutes



- Build stunning glass doors with classic style for glass panes.
- Each set includes 3 different elegant profiles to produce perfectly matched Rail & Stile and Muntins.
- Adaptable groove thickness: the groove will accommodate glass thicknesses of 2mm, 3mm, 4mm, 5mm, 6mm.
- Versatile wood thickness: recommended wood thickness is 3/4", however, the set will work well for woods 5/8" to 1" thick.
- The bits cut all composition materials...plywood, hardwoods and softwoods.
- Each set contains three actual woodcuts of the included profile, so you may decide which profile suits your design beforehand.
- Use on table mounted portable router machines.

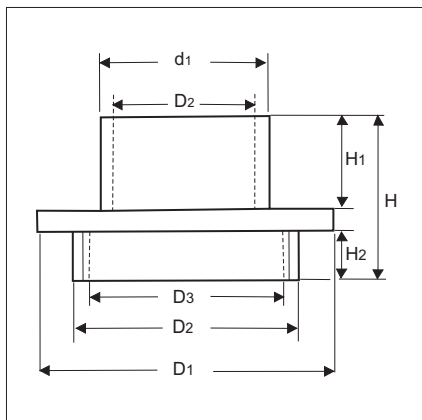
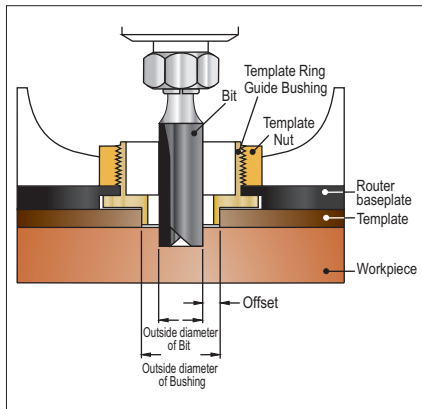


Tool no.	Description	D	Shank	B	Cutting Radius
GD-SET	<b>Complete Set</b>				
MINI-113	Roman Ogee	25/32"	1/4"	3/8"	1/8"
MINI-135	Classical Ogee	25/32"	1/4"	3/8"	1/8"
MINI-113SP	Classical	25/32"	1/4"	3/8"	7/64"
MINI-ARB	Arbor	6mm	1/4"	21x32	
MINI-1082	Slot Cutter Blade	25mm	Bore 6mm	2.0mm	
MINI-1083	Slot Cutter Blade	25mm	Bore 6mm	3.0mm	
MINI-1084	Slot Cutter Blade	25mm	Bore 6mm	4.0mm	
BB-13M	Bearing	13x6mm		5.0mm	
MINI-1MM	Spacers 6 pcs	10x6.1		1.0mm	
MINI-N	Nut	M6			





## 10 Piece Template Rings, Solid Brass



**Template Rings** also known as **Guide Bushings** allows the router operator to steer a bit with precision and full control. It will ensure consistent results of routing at all times. Our 10 Piece Template Rings are made of Solid Brass that will ensure precision guidance. This kit lets you to do tight, precise inlay work with a router and templates of your own design.

A Template Ring is made of a collar that attaches to and extends below the router's base plate. It acts similar to the bearing on a router bit. The main advantage of using a Guide Bushing is that you are not limited to routing just the edge of the work piece, but you can follow along the edge of the template to control the bit while you make the cut. It actually enables you to route straight lines as well as very fancy shapes.

**The bushing is not flush with the outside diameter of the bit, and the difference is called: The Offset.**

When routing with a Guide Bushing, calculating the Offset is important but very simple to do.

For example, if you use a 1/4" Straight bit with a 5/8" Outside Diameter bushing, the Offset is 3/16".

Calculating the Offset will ensure that routing Curves is done right.

- For **Inside Curves**, increase radius of inside curves on the template by the Offset
- For **Outside Curves**, decrease radius of outside curves on the template by the Offset.

Bushing sets are available in either brass or steel. The difference is that brass bushings usually can be tightened by hand, and stay tight. Steel bushings seem to vibrate loose more easily. You should always opt for brass bushings sold by a reputable manufacturer. They are made from quality material and adhere to tight tolerances. You will get years of trouble free routing experience.

When it comes to Routing, Template Rings are indispensable accessories. Mastering them will give you endless possibilities to produce amazing effects with outmost precision. Among popular usage are:

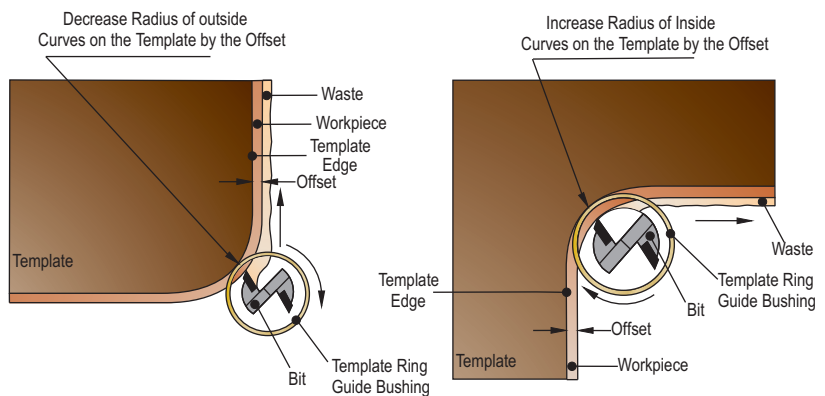
### Joinery

Routing Dados and Grooves, Dovetail, Finger Joints

### Surface effects

Grooving fancy frames and decorative inlays. Creating profiles away from the edge of the work piece.

### Hardware installations



Tool no.	D1	D2	D3	d1	d2	H	H1	H2
WP-T-RINGS Complete Set consists of 10 pcs								
Rings:	35mm	1 3/16"	26.5mm	5/16" (7.94mm)	1/4" (6.35mm)	18mm	6mm	9.5mm
	35mm	1 3/16"	26.5mm	3/8" (9.52mm)	9/32" (7.14mm)	18mm	6mm	9.5mm
	35mm	1 3/16"	26.5mm	7/16" (11.11mm)	11/32" (8.73mm)	18mm	6mm	9.5mm
	35mm	1 3/16"	26.5mm	1/2" (12.7mm)	13/32" (10.32mm)	18mm	6mm	9.5mm
	35mm	1 3/16"	26.5mm	5/8" (15.87mm)	17/32" (13.49mm)	18mm	6mm	9.5mm
	35mm	1 3/16"	26.5mm	3/4" (19.05mm)	21/32" (16.67mm)	18mm	6mm	9.5mm
	35mm	1 3/16"	26.5mm	51/64" (20.24mm)	5/8" (15.87mm)	18mm	6mm	9.5mm
	35mm	1 3/16"	26.5mm	1" (25.4mm)	7/8" (22.23mm)	18mm	6mm	9.5mm
2 Lock Nuts								

\*Sold only in sets



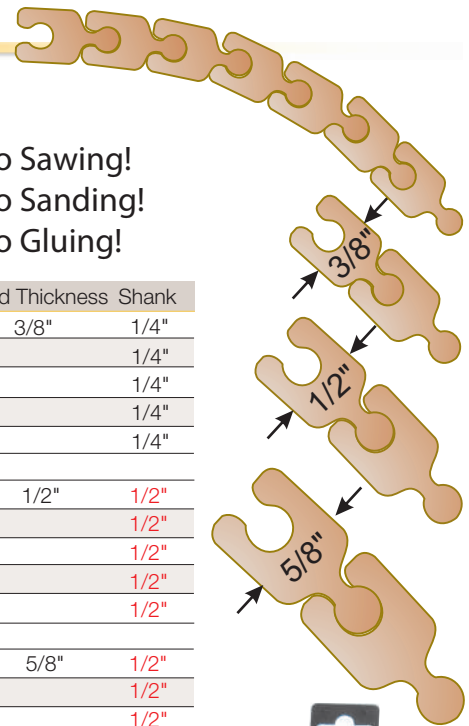
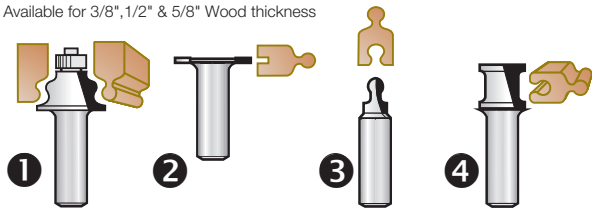
## Tambour Sets, 2 Flutes WP Category NEW

Make beautiful roll top desks, bread boxes, jewelry boxes, contoured chairs, just a few steps of simple routing and you can produce incredible planters, etc., with this 3 and 4 pieces Tambour Set. Tambour joints using your own router!  
Each set includes step by step instructions and actual wood samples.

**No Sawing!**  
**No Sanding!**  
**No Gluing!**

Tool no.	Description.	Wood Thickness	Shank
TAMBOUR-10-1/4	Complete 4 bits SET	3/8"	1/4"
T10-113	① Roman Ogee 1" Dia. x 1/2" Cut Length x 3/32" Radius		1/4"
T10-108	② Slot Cutter 31.5mm Dia. x 2.5mm Kerf		1/4"
T10-190	③ Ball Groove 3/16" Dia. x 3/32" Radius		1/4"
T10-129	④ Bull Nose 5/8" Dia. x 1/2" Cut Length x 3/32"		1/4"
TAMBOUR-12	Complete 4 bits SET	1/2"	1/2"
T12-113	① Roman Ogee 1 1/8" Dia. x 5/8" Cut Length x 1/8" Radius		1/2"
T12-108	② Slot Cutter 31.5mm Dia. x 3.0mm Kerf		1/2"
T12-190	③ Ball Groove 1/4" Dia. x 11/16" Radius		1/2"
T12-129	④ Bull Nose 3/4" Dia. x 11/16" Cut Length x 1/8" Radius		1/2"
TAMBOUR-16	Complete 4 bits SET	5/8"	1/2"
T16-113	① Roman Ogee 1 1/4" Dia. x 3/4" Cut Length x 5/32" Radius		1/2"
T16-108	② Slot Cutter 31.5mm Dia. x 4.0mm Kerf		1/2"
T16-190	③ Ball Groove 5/16" Dia. x 5/32" Radius		1/2"
T16-129	④ Bull Nose 7/8" Dia. x 13/16" Cut Length x 1/8" Radius		1/2"

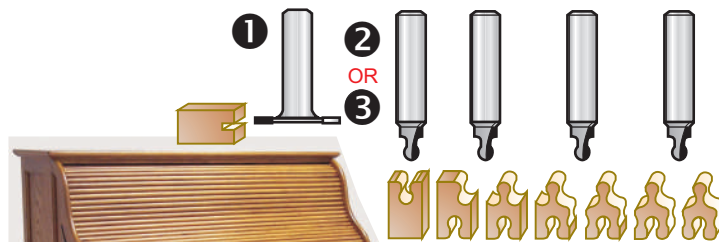
Available for 3/8", 1/2" & 5/8" Wood thickness



## Tambour Sets (Fancy), 2 Flutes WP Category NEW

Tool no.	Description.	Wood Thickness	Shank
TAMBOUR-3P	Complete 3 bits SET	1/2" & 5/8"	1/2"
T12-108	① Slot Cutter Dia. x 31.5mm, Cut Length 3mm, Overall Length 41mm		1/2"
T12-2P-190	② Ball Groove Dia. x 5.2mm, Cut Length 7.2mm, Overall Length 2-3/4", Radius 3/32"		1/2"
T16-2P-190	③ Ball Groove Dia. x 6.95mm, Cut Length 10.43mm, Overall Length 3", Radius 1/8"		1/2"

Each set includes step by step instructions and actual wood samples.  
Available for 1/2" & 5/8" Wood thickness





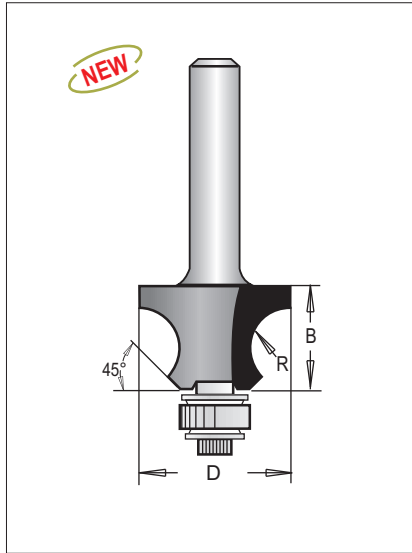


## Knuckle Joint Bits / Knuckle Hinge Joint

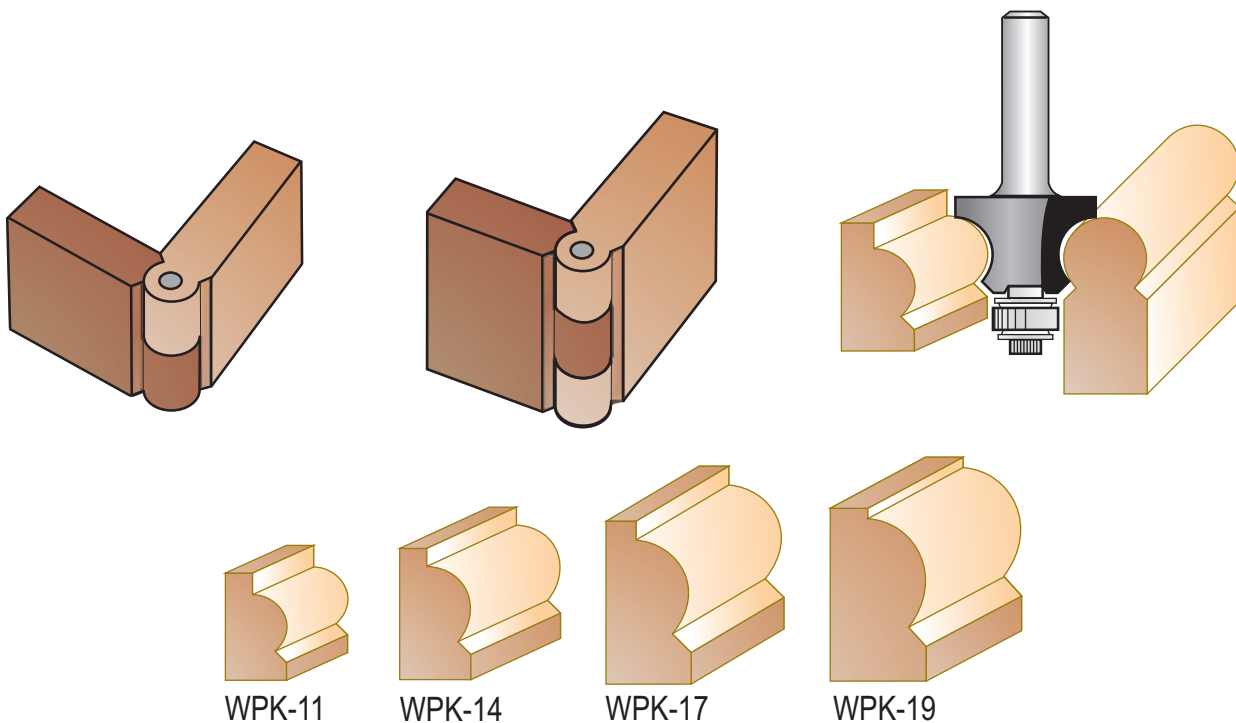


**Knuckle Joint Bits or Knuckle Hinge Joint** is often used to connect a movable table leg to the framing, where it is necessary for the table leg and rail to swing outwards and support a drop leaf. The pivot is formed by a piece of round iron rod running through the centre of the joint. The Joint is strong and appealing as it shows off the beauty of the wood instead of using metal joint.

ROUTING  
WOODPECKER



Tool no.	D	Shank	Recommended wood thickness	B	R	Length
WPK-SET	Complete 4 pc SET					
consists of:						
WPK-11	13/16"	1/4"	10-12mm	14mm	5.5mm	2 1/8"
WPK-14	15/16"	1/4"	14-15mm	17mm	7.14mm	2 1/4"
WPK-17	1 1/32"	1/4"	17-18mm	20mm	8.5mm	2 3/8"
WPK-19	1 1/8"	1/4"	19mm	22mm	9.5mm	2 1/2"



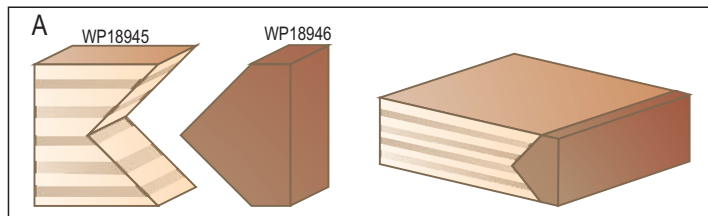
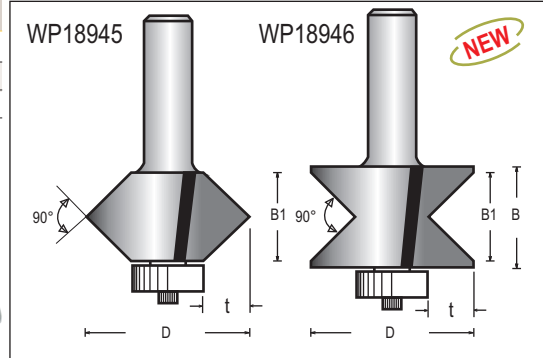
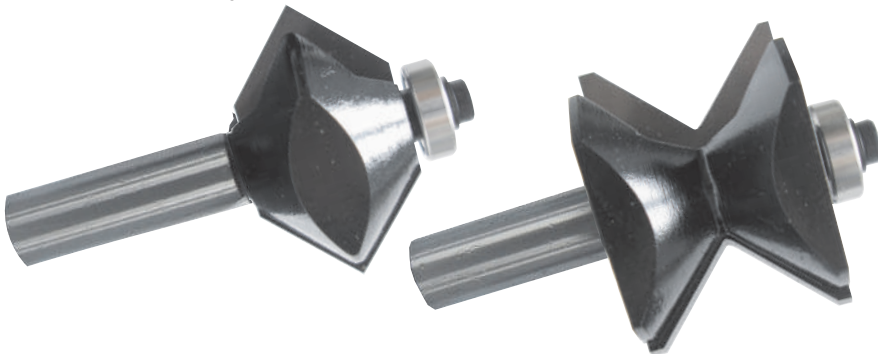


## Edge Banding Router Bit Set, 2 Flutes

This two-piece bit set provides an economical way to create your own **edge banding** from the wood of your choice. This is a great way to create a finished edge on plywood or MDF panels and shelves which blends perfectly with the rest of your project. Using this bit set is simple, too. Just position each bit so that it is centered on the stock thickness and make the cut. For the best results we recommend that you cut the edge band stock slightly oversized and then flush trim it after assembly. This unique set is available in two styles: 90 degree or 60 degree. The 90 degree bits can also be used to create 'V' grooves or double-sided chamfers. The 60 degree set creates a larger surface area for glue. Carbide tipped for long life.

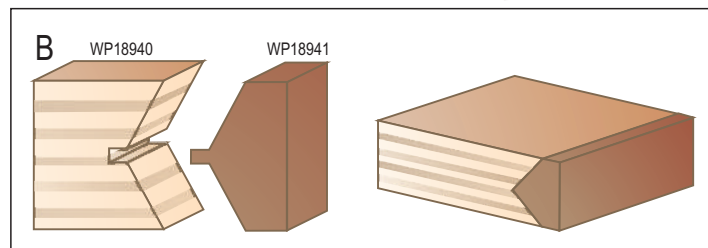
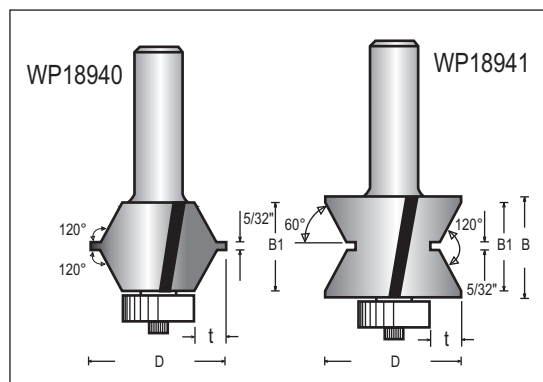
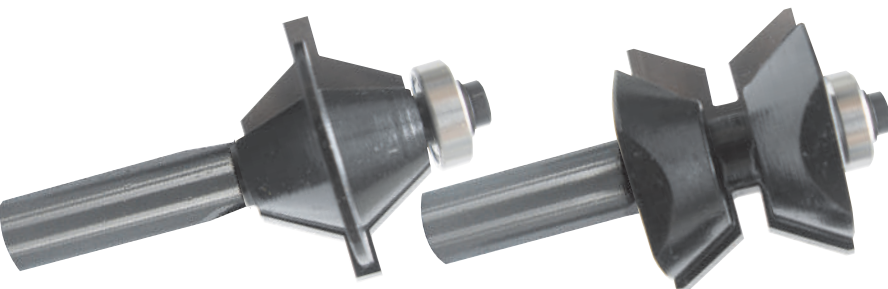
Tool no.	D	Shank	B	B1	t	Length
WPE-SET-A <b>Complete Set, 2 pcs</b>						
WP18945 Groove	1 25/32"	1/2"		1 1/32"	33/64"	3 1/8"
WP18946 Tongue	1 13/16"	1/2"	1 1/4"	1 1/32"	17/32"	3 1/8"

Replacement Parts:  
Ball Bearing BB-19A



## Edge Banding Router Bit Set, 2 Flutes

Tool no.	D	Shank	B	B1	t	Length
WPE-SET-B <b>Complete Set, 2 pcs</b>						
WP18940 Groove	1 9/32"	1/2"		1"	21/64"	3"
WP18941 Tongue	1 5/8"	1/2"	1 1/8"	1 1/32"	1/2"	3"





## Mini Bits - Carbide Tipped, 1/4" Shank, 2 Flutes



These Quality bits are produced from special steel & carbide.

Two Flutes for high performance.

Anti kickback design for maximum safety

Good Carbide Tooth Thickness for longer life.

12 Profiles to choose from.

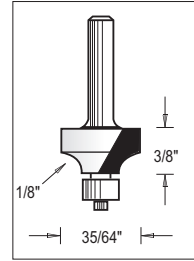
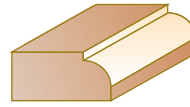
Used with trimmers and low powered routers.

Mini Bits are used for making miniature furniture etc.

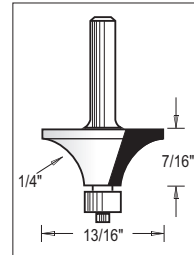
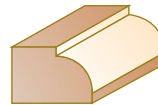
Tool no.	Description	D	B	Cutting Radius/angle
MINI-SET	Complete Set - 12 pcs in wood box			
MINI-102	Chamfer Bit	25/32"	15/64"	45°
MINI-106	Core box Bit	1/4"	7/32"	1/8"
MINI-1093	Round over Bit	35/64"	3/8"	1/8"
MINI-1096	Round over Bit	13/16"	7/16"	1/4"
MINI-112	Cove Bit	35/64"	7/16"	1/8"
MINI-113	Roman Ogee Bit	25/32"	3/8"	1/8"
MINI-113SP	Classical Bit	25/32"	3/8"	7/64"
MINI-125	Ogee Fillet Bit	7/8"	5/16"	1/8"
MINI-127	Classical Plunge	1/2"	5/16"	9/64", 1/8"
MINI-135	Classical Ogee Bit	25/32"	3/8"	1/8"
MINI-137	Plunge Ogee Bit	1/2"	19/64"	7/64", 5/64"
MINI-139	Wavy Edge Bit	25/32"	3/8"	5/64"

Replacement part: Ball Bearing: BB-8M, Screw: SC02508

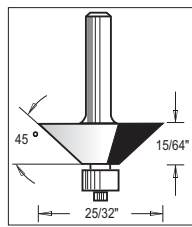
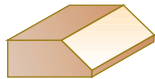
MINI-1093



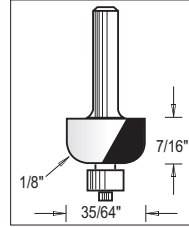
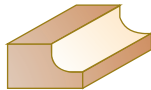
MINI-1096



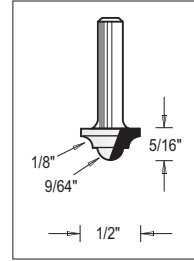
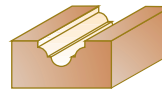
MINI-102



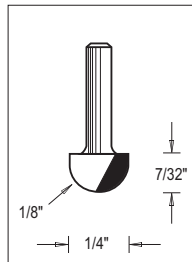
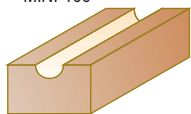
MINI-112



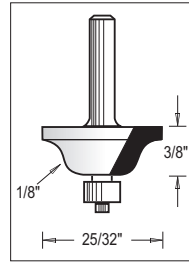
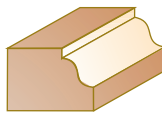
MINI-127



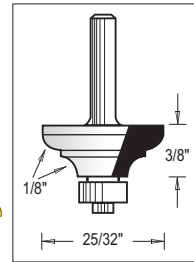
MINI-106



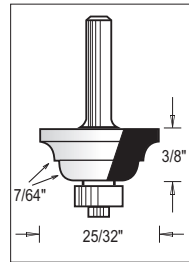
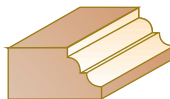
MINI-113



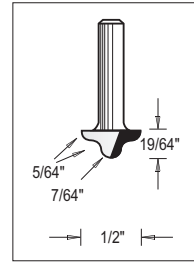
MINI-135



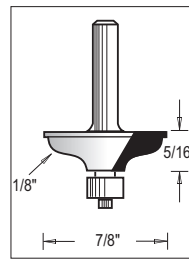
MINI-113SP



MINI-137



MINI-125



MINI-139

