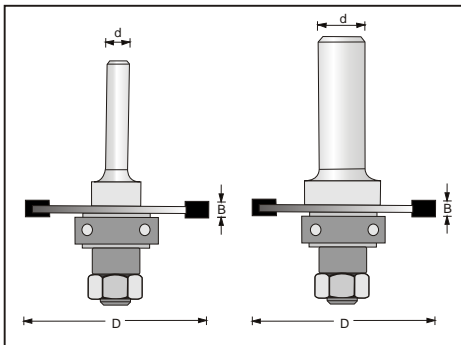


## Biscuit Joiner Set - 6 piece Set



This set is designed to cut slots in wood for biscuit joints, using your Router. By replacing the bearing, you can achieve 3 depths to accommodate the common wood biscuit sizes.

- Economical: No need to buy a Biscuit cutter machine
- Versatile: Arbor & bearing can be used with other slotting cutters



Tool no.	Description	Category
WBJ	Biscuit Joiner Set for #0, #10, #20 wood biscuits, 1/4" shank & 1/2" shank	WP