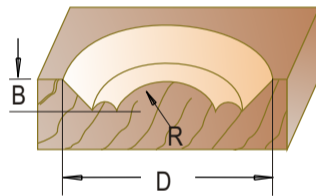
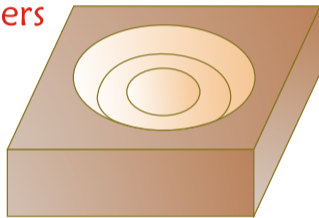
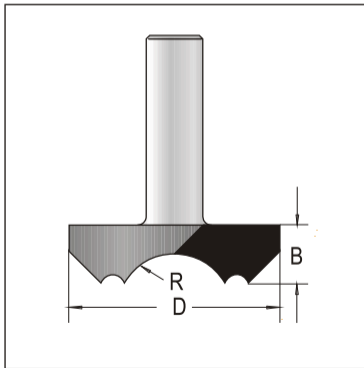


## Rosette Cutters



Tool no.	D	Shank	B	R	Length	Category
WPROS5	1-3/4"	1/2"	15/64"	7/16"	2"	WP
WPROS6	2"	1/2"	9/32"	9/16"	2-1/16"	WP