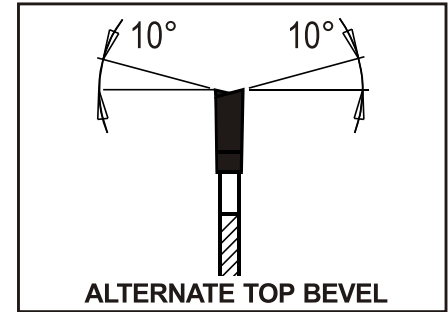
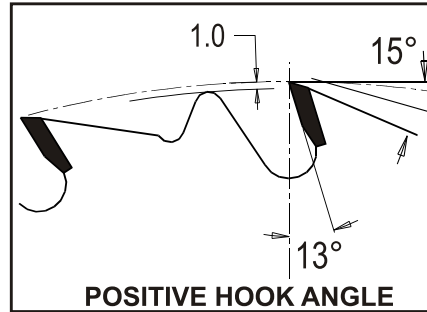


Carbide Tipped Rip/Crosscut Blade, Thin Kerf, Alternate Top Bevel



For general ripping and crosscutting along and across the grain of wood, plywood, and particle board. Micro-grain titanium carbide teeth. Non-adhesive black coating. Thick carbide teeth. Premium quality, made in Germany.

Features & Benefits:

- Long & thick carbide teeth (10mm x 2.5mm on 24T, 40T, 60T blades) for 15-20 sharpenings.
- Micro-grain titanium carbide for longer service life.
- Non adhesive black coating for easy cleaning and smoother operation.
- Premium quality stiff plate for true cutting even under load.
- Guaranteed quality -- Made in Germany.

Tool no.	Dia.	Teeth	Kerf	Bore	Category
WP1024CLA*	10"	24	.102" (2.6mm)	5/8"	WP

*Chip Limitation Design

