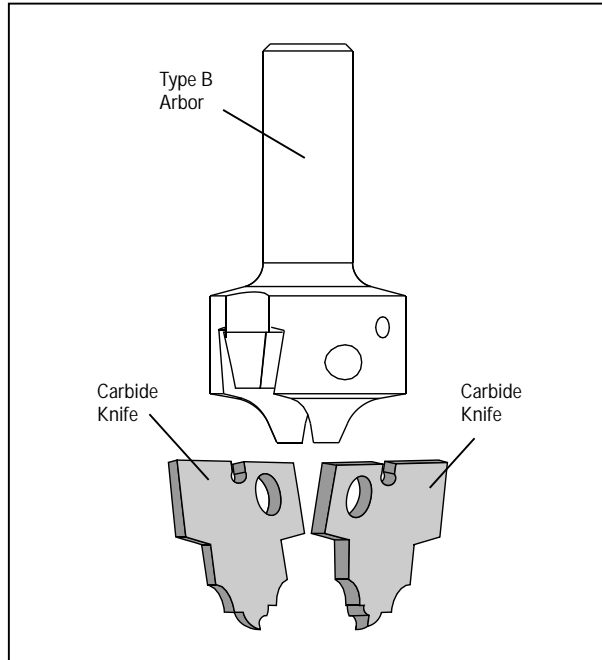
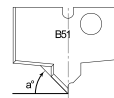
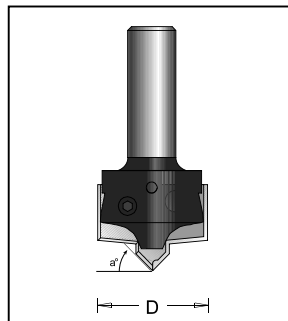
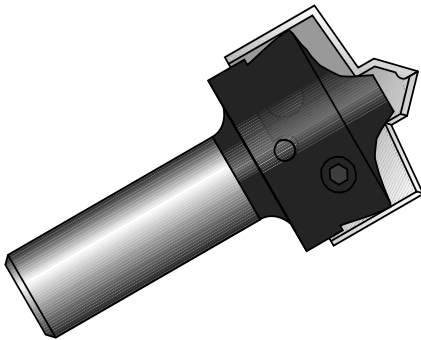


Multi Profile System Type B

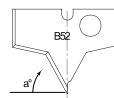
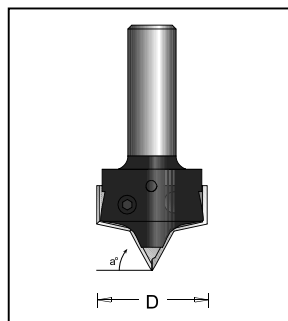
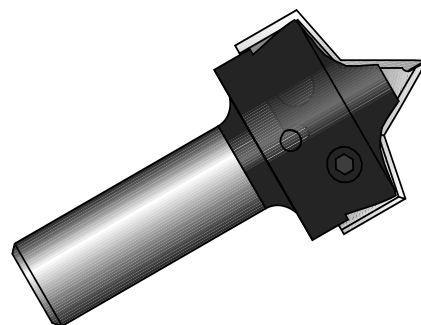


"V" Groove 90°, 2Flute, Type B



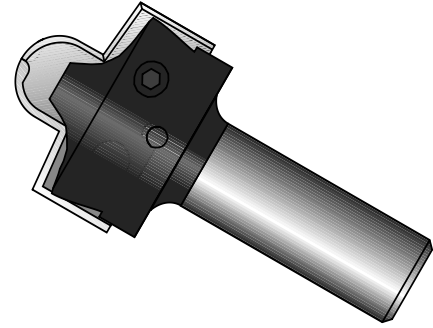
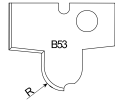
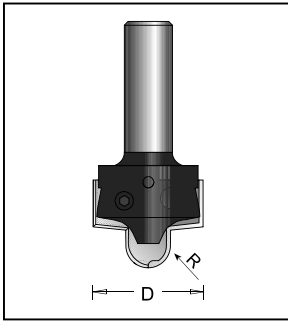
Tool no.	Blade #	D	Shank	a	Length	Category
N4-B51	B51	1 1/4"	1/4"	45°	2 1/4"	I
N8-B51	B51	1 1/4"	1/2"	45°	2 5/8"	I

"V" Groove 60°, 2Flute, Type B



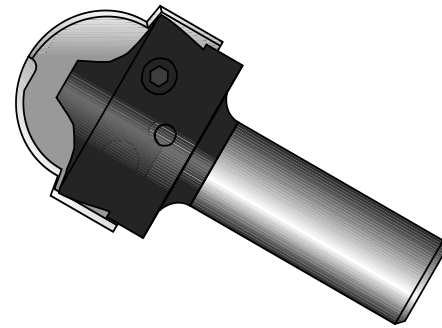
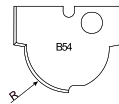
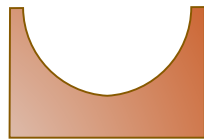
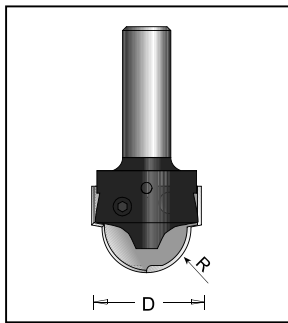
Tool no.	Blade #	D	Shank	a	Length	Category
N4-B52	B52	1 1/4"	1/4"	60°	2 1/4"	I
N8-B52	B52	1 1/4"	1/2"	60°	2 5/8"	I

Core Box, 2 Flute, Type B



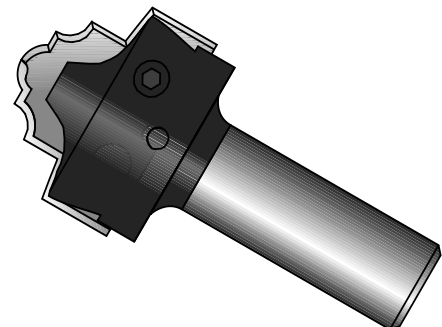
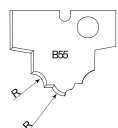
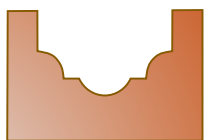
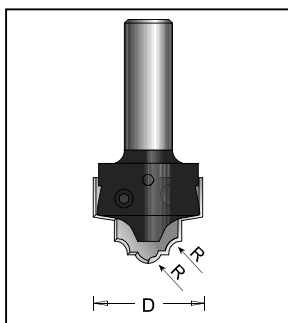
Tool no.	Blade #	D	Shank	R	Length	Category
N4-B53	B53	1 1/4"	1/4"	1/4"	2 1/4"	I
N8-B53	B53	1 1/4"	1/2"	1/4"	2 5/8"	I

Core Box, 2 Flute, Type B



Tool no.	Blade #	D	Shank	R	Length	Category
N4-B54	B54	1 1/4"	1/4"	1/2"	2 1/4"	I
N8-B54	B54	1 1/4"	1/2"	1/2"	2 5/8"	I

Ogee Plunge, 2 Flute, Type B



Tool no.	Blade #	D	Shank	R	Length	Category
N4-B55	B55	1 1/4"	1/4"	5/32"	2 1/4"	I
N8-B55	B55	1 1/4"	1/2"	5/32"	2 5/8"	I