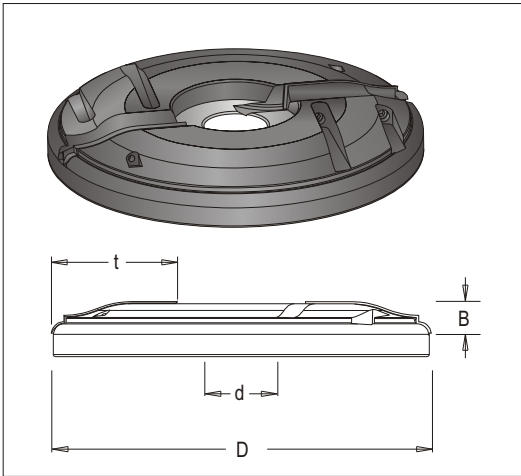


## Raised Panel Cutter



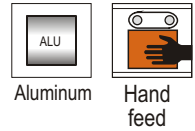
Cutterhead in hard wearing aluminum, complete with disposable tungsten carbide knives. Suitable for producing raised panel profiles in softwood, hardwood and man-made boards on a spindle moulder.

Same tool body accepts all eight different profiles.

Ball Bearing (1910230) sold separately.

Tool no.	D	B	Bore	t	RPM	Category
K126C-63	180mm	25mm	1 1/4"	57mm	4500-7500	CNC

Cutter installed with T.C. Blades for Profile #1



Replacement parts:

Profile 1	Profile 2	Profile 3	Profile 4	Profile 5	Profile 6	Profile 7	Profile 8	Wedge	Allen screw	Allen key
T.C. Blade 3108539	T.C. Blade 3108540	T.C. Blade 3108541	T.C. Blade 3108542	T.C. Blade 3108543	T.C. Blade 3108544	T.C. Blade 3108545	T.C. Blade 3108101	Wedge 1990490	Allen screw 1930265	Allen key 1940034

Price per single knife.

