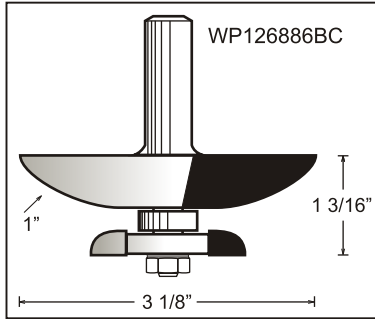


## Ogee bit



Full size carbide tips for better chip ejection  
 Thick carbide (2.2mm) for 10-15 sharpenings  
 CNC machined hardened body for vibration free operation  
 Precise match of body to carbide contour for better edge support  
 Anti kick-back body design for safe and easy feed while protecting your motor  
 Attractive box to protect your router bits  
 Economically priced to fit your budget



Tool no.	D	Shank	B	Length	Category
WP126886BC	3 1/8"	1/2"	1"	3 5/16"	WP