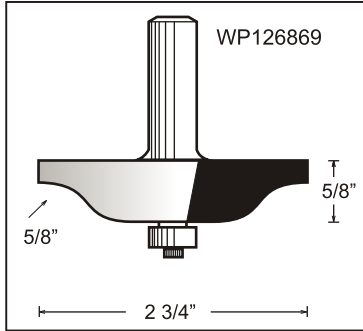


Ogee bit



Full size carbide tips for better chip ejection
 Thick carbide (2.2mm) for 10-15 sharpenings
 CNC machined hardened body for vibration free operation
 Precise match of body to carbide contour for better edge support
 Anti kick-back body design for safe and easy feed while protecting your motor
 Attractive box to protect your router bits
 Economically priced to fit your budget



Tool no.	D	Shank	B	Length	Category
WP126869	2 3/4"	1/2"	5/8"	2 3/4"	WP