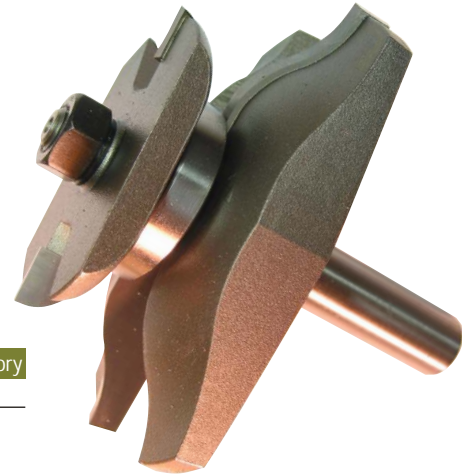
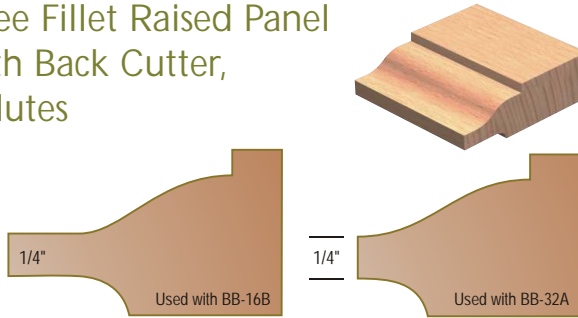


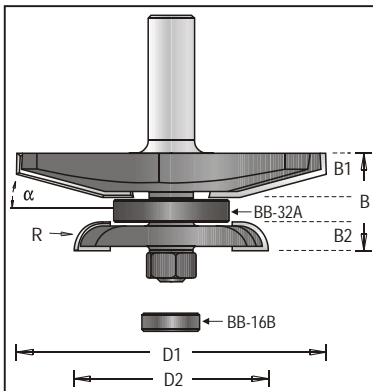
Ogee Fillet Raised Panel With Back Cutter, 2 Flutes



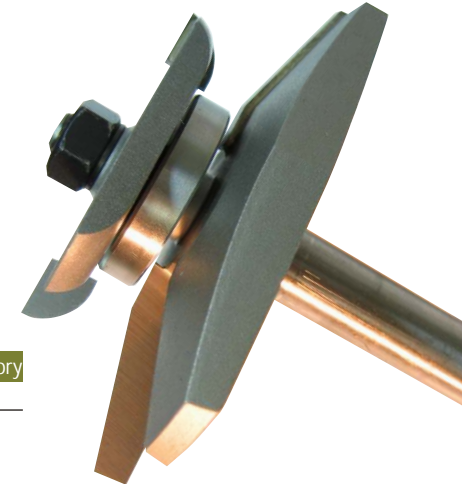
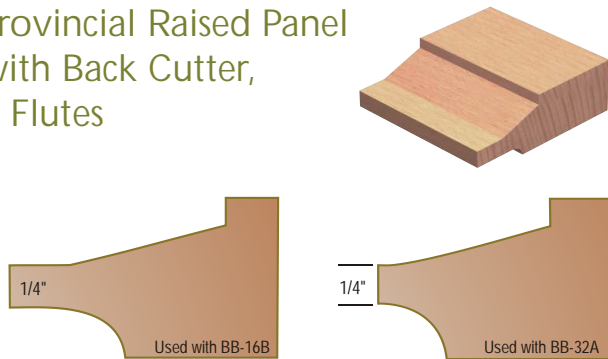
Tool no.	D1	D2	Shank	B	B1	B2	R	R1	Length	Category
126R8-84BC	3 3/8"	2 1/8"	1/2"	1 3/16"	5/8"	5/16"	7/8"	5/16"	3 1/16"	R

Complete Set Includes:

Raised Panel Bit 1225128 ; Back Cutter 1225010; Ball Bearing BB-16B (16x8x5mm);
 Ball Bearing BB-32A (1 1/4"x8mmx5mm); Washer 1920180 (12x8x1mm) ;
 Shim 1921150 (12x8x0.1mm - 2 pieces) ; Shim 1921200 (12x8x0.2mm - 2 pieces) ;
 Shim 1920135 (12x8x0.5mm - 2 pieces) ; Nut NF5/16 108R-N



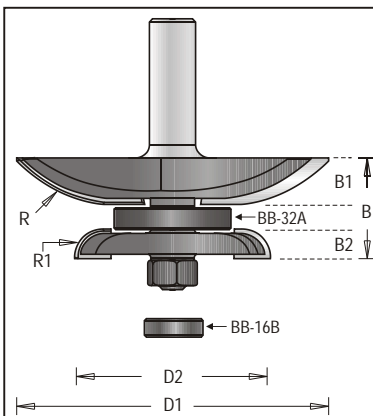
Provincial Raised Panel with Back Cutter, 2 Flutes



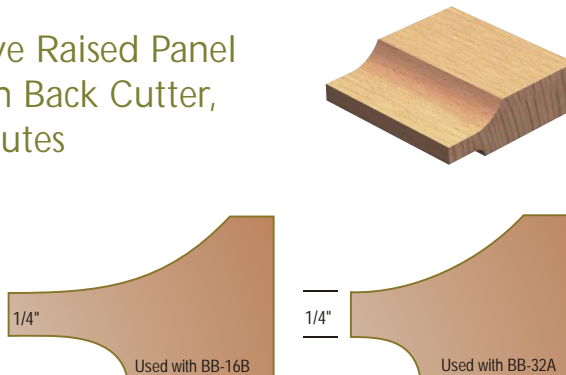
Tool no.	D1	D2	Shank	B	B1	B2	α	R	Length	Category
126R8-85BC	3 3/8"	2 1/8"	1/2"	1 1/16"	1/2"	5/16"	15°	5/16"	2 15/16"	R

Complete Set Includes:

Raised Panel Bit 1225048; Back Cutter 1225010; Ball Bearing BB-16B (16x8x5mm);
 Ball Bearing BB-32A (1 1/4"x8mmx5mm); Washer 1920180 (12x8x1mm) ;
 Shim 1921150 (12x8x0.1mm - 2 pieces); Shim 1921200 (12x8x0.2mm - 2 pieces);
 Shim 1920135 (12x8x0.5mm - 2 pieces); Nut NF5/16 108R-N



Cove Raised Panel with Back Cutter, 2 Flutes



Tool no.	D1	D2	Shank	B	B1	B2	R	R1	Length	Category
126R8-86BC	3 3/8"	2 1/8"	1/2"	1 1/16"	1/2"	5/16"	1 9/16"	5/16"	2 15/16"	R

Complete Set Includes:

Raised Panel Bit 1225078; Back Cutter 1225010 ; Ball Bearing BB-16B (16x8x5mm);
 Ball Bearing BB-32A (1 1/4"x8mmx5mm); Washer 1920180 (12x8x1mm);
 Shim 1921150 (12x8x0.1mm - 2 pieces); Shim 1921200 (12x8x0.2mm - 2 pieces);
 Shim 1920135 (12x8x0.5mm - 2 pieces) ; Nut NF5/16 108R-N