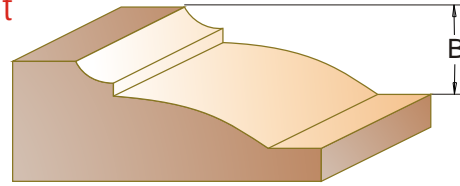
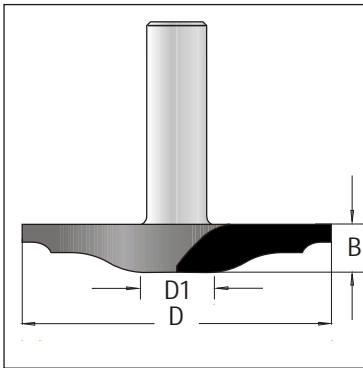


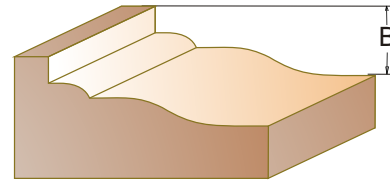
Classical Plunge Bit



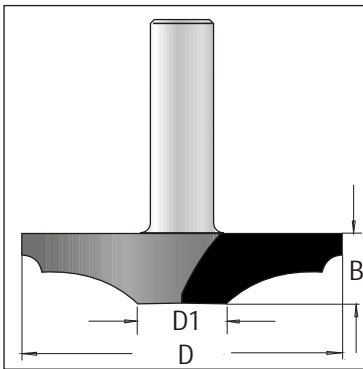
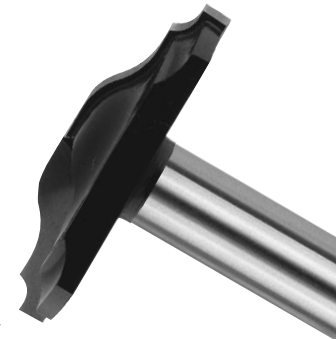
Tool no.	D	D1	Shank	B	Length	Category
WP126A8	2-1/2"	25/32"	1/2"	7/16"	2-5/32"	WP
WP126A9	2-7/8"	35/64"	1/2"	1/2"	2-1/2"	WP
WP126A11	3-5/8"	5/8"	1/2"	9/16"	2-9/16"	WP



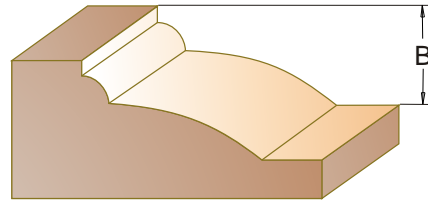
Classical Plunge Bit



Tool no.	D	D1	Shank	B	Length	Category
WP126C8	2-1/2"	15/32"	1/2"	5/16"	2-1/4"	WP
WP126C9	3"	33/64"	1/2"	23/64"	2-9/16"	WP
WP126C11	3-5/8"	5/8"	1/2"	13/32"	2-7/8"	WP



Classical Plunge Bit



Tool no.	D	D1	Shank	B	Length	Category
WP126D6	2-1/2"	35/64"	1/2"	3/8"	2-1/4"	WP
WP126D7	3"	35/64"	1/2"	27/64"	2-9/16"	WP
WP126D8	3-1/2"	45/64"	1/2"	33/64"	2-5/8"	WP

