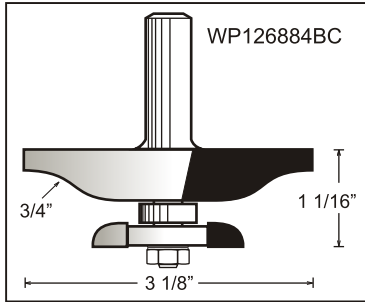


Ogee bit



Full size carbide tips for better chip ejection
 Thick carbide (2.2mm) for 10-15 sharpenings
 CNC machined hardened body for vibration free operation
 Precise match of body to carbide contour for better edge support
 Anti kick-back body design for safe and easy feed while protecting your motor
 Attractive box to protect your router bits
 Economically priced to fit your budget



Tool no.	D	Shank	Length	Category
WP 126884BC	3 1/8"	1/2"	3 5/16"	WP