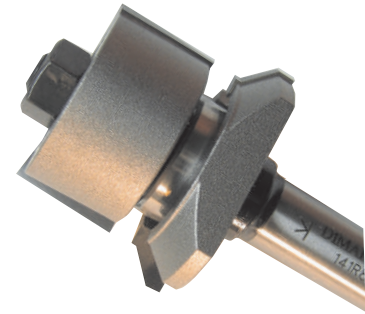
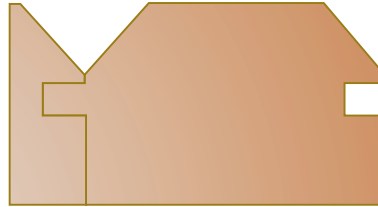


"V" Panel Bit Set, 2 Flutes

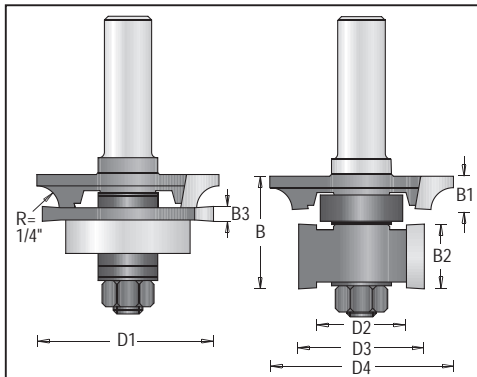


1 piece set!

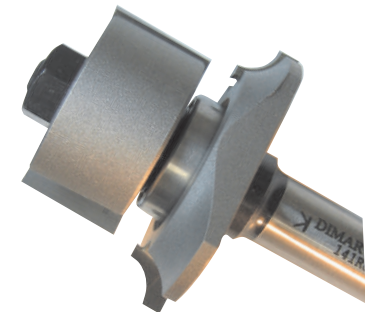
Tool no.	D1	D2	D3	D4	Shank	B1	B2	B3	B	Length	Category
141R8-50	1 13/16"	7/8"	1 5/16"	1 21/32"	1/2"	11/32"	11/16"	5/32"	1 3/16"	3"	R

Replacement Parts:

Profile Cutter: (B1)	1681010	Ball Bearing:	BB-22	Shims 0.5mm	1920130
Rabbeting Cutter: (B2)	1680010	Ball Bearing:	BB-33	Shims 0.4mm	1920120
Groover: (B3)	1421040	Spacer 3.0mm (x3)	1920150	Shims 0.1mm (x3)	1921000
Arbor & Nut:	1900058	Spacer 1.0mm (x2)	1920110	Shims 0.05mm	1920500



"C" Panel Bit Set, 2 Flutes



1 piece set!

Tool no.	D1	D2	D3	D4	Shank	B1	B2	B3	B	Length	Category
141R8-60	1 13/16"	7/8"	1 5/16"	1 7/8"	1/2"	11/32"	11/16"	5/32"	1 3/16"	3"	R

Replacement Parts:

Profile Cutter: (B1)	1682010	Ball Bearing:	BB-22	Shims 0.5mm	1920130
Rabbeting Cutter: (B2)	1680010	Ball Bearing:	BB-33	Shims 0.4mm	1920120
Groover: (B3)	1421040	Spacer 3.0mm (x3)	1920150	Shims 0.1mm (x3)	1921000
Arbor & Nut:	1900058	Spacer 1.0mm (x2)	1920110	Shims 0.05mm	1920500