

Rail & Stile, 2 Piece Sets, 2 Flutes, in wooden box

Sets include TWO complete assemblies consisting of: cutters, arbors, bearings, etc. Easy to use, no assembly needed.

2 piece set!

For 3/4" to 1" material
Groove depth: 3/8"



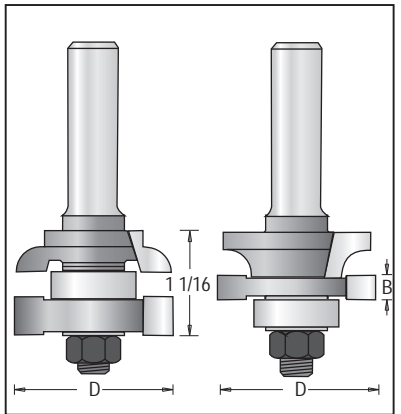
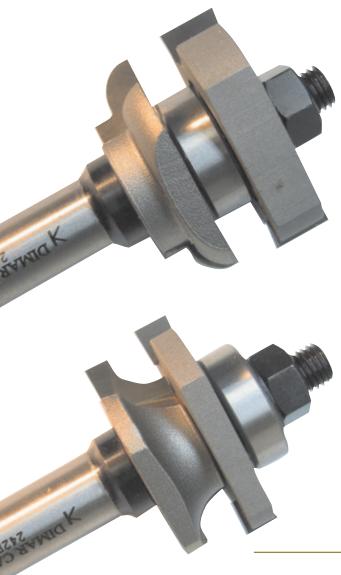
Tool no.	D	Shank	B	Length	Category
242R-1	1 5/8"	1/2"	1/4"	3 1/8"	R

Replacement Parts for 242R-1, as shown on left side:

Profile Cutter	1431010L
Cutter (1 5/8" Dia.)	1431060
Arbor & Nut	1900058
Ball Bearing	BB-22

Replacement Parts for 242R-1, as shown on right side:

Profile Cutter	1431010
Groover (1/4" thick)	1431040
Arbor & Nut	1900058
Ball Bearing	BB-22



Rail & Stile, 2 Piece Sets, 2 Flutes, in wooden box

Sets include TWO complete assemblies consisting of: cutters, arbors, bearings, etc. Easy to use, no assembly needed.

2 piece set!

For 3/4" to 1" material



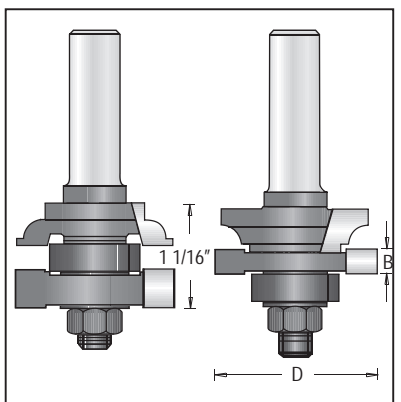
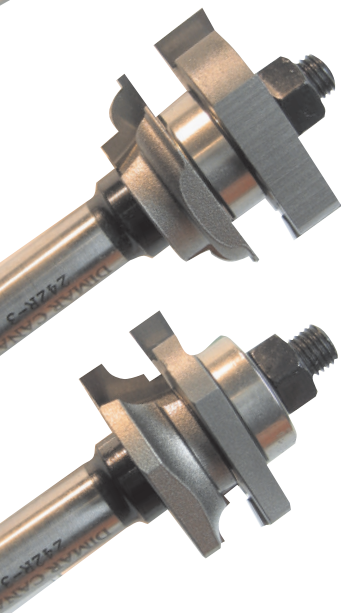
Tool no.	D	Shank	B	Length	Category
242R-2	1 5/8"	1/2"	1/4"	3 1/8"	R

Replacement Parts for 242R-2, as shown on left side:

Profile Cutter	1450230
Cutter (1 5/8" Dia.)	1431060
Arbor & Nut	1900058
Ball Bearing	BB-22

Replacement Parts for 242R-2, as shown on right side:

Profile Cutter	1450130
Groover (1/4" thick)	1431040
Arbor & Nut	1900058
Ball Bearing	BB-22



Rail & Stile Bits, 2 Piece Sets, 2 Flutes

Sets include TWO complete assemblies consisting of: cutters, arbors, bearings, etc. Easy to use, no assembly needed.

2 piece set!

For 3/4" to 1" material



Tool no.	D	Shank	B	Length	Category
242R-3	1 5/8"	1/2"	1/4"	3 1/8"	R

Replacement Parts for 242R-3, as shown on left side:

Profile Cutter	1450240
Cutter (1 5/8" Dia.)	1431060
Arbor & Nut	1900058
Ball Bearing	BB-22

Replacement Parts for 242R-3, as shown on right side:

Profile Cutter	1450140
Groover (1/4" thick)	1431040
Arbor & Nut	1900058
Ball Bearing	BB-22