

### Rail & Stile Bits, 2 Piece Sets, 2 Flutes

These sets are assembled with an xtra (7/8") flush cutter for un-planned surfaces. The ball bearing at the end of the arbor is for use with an outside guide.

#### 2 piece set!

For 3/4" to 1" material

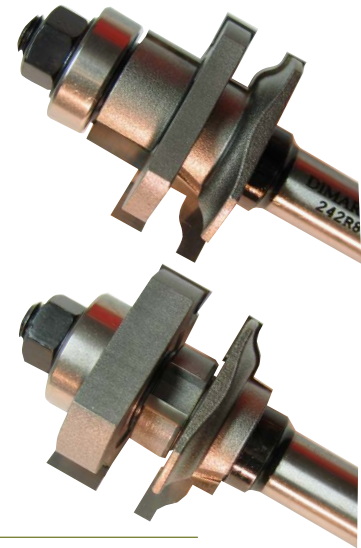
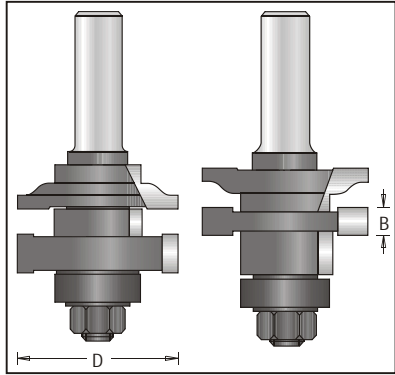
Tool no.	D	Shank	B	Length	Category
242R8-40-1	1 5/8"	1/2"	1/4"	3 5/16"	R

Replacement Parts for 242R8-40-1,  
*as shown on left side:*

Profile Cutter:	1431010L
Cutter (7/8" Dia.):	1450120
Cutter (1 5/8" Dia.):	1431060
Arbor & Nut:	1900138
Ball Bearing:	BB-22

Replacement Parts for 242R8-40-1,  
*as shown on right side:*

Profile Cutter:	1431010
Groover (1/4" thick):	1431040
Cutter (7/8" Dia.):	1450220
Arbor & Nut:	1900138
Ball Bearing:	BB-22



### Rail & Stile Bits, 2 Piece Sets, 2 Flutes

These sets are assembled with an xtra (7/8") flush cutter for un-planned surfaces. The ball bearing at the end of the arbor is for use with an outside guide.

#### 2 piece set!

For 3/4" to 1" material

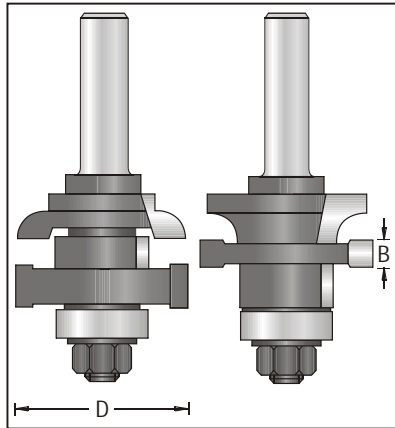
Tool no.	D	Shank	B	Length	Category
242R8-40-2	1 5/8"	1/2"	1/4"	3 5/16"	R

Replacement Parts for 242R8-40-2,  
*as shown on left side:*

Profile Cutter:	1450230
Cutter (7/8" Dia.):	1450120
Cutter (1 5/8" Dia.):	1431060
Arbor & Nut:	1900138
Ball Bearing:	BB-22

Replacement Parts for 242R8-40-2,  
*as shown on right side:*

Profile Cutter:	1450130
Groover (1/4" thick):	1431040
Cutter (7/8" Dia.):	1450220
Arbor & Nut:	1900138
Ball Bearing:	BB-22



### Rail & Stile Bits, 2 Piece Sets, 2 Flutes

These sets are assembled with an extra (7/8") flush cutter for un-planned surfaces. The ball bearing at the end of the arbor is for use with an outside guide.

#### 2 piece set!

For 3/4" to 1" material

Tool no.	D	Shank	B	Length	Category
242R8-40-3	1 5/8"	1/2"	1/4"	3 5/16"	R

Replacement Parts for 242R8-40-3,  
*as shown on left side:*

Profile Cutter:	1450240
Cutter (7/8" Dia.):	1450120
Cutter (1 5/8" Dia.):	1431060
Arbor & Nut:	1900138
Ball Bearing:	BB-22

Replacement Parts for 242R8-40-3,  
*as shown on right side:*

Profile Cutter:	1450140
Groover (1/4" thick):	1431040
Cutter (7/8" Dia.):	1450220
Arbor & Nut:	1900138
Ball Bearing:	BB-22

