

Rail & Stile Bits,
Reversible, 1 Piece,
2 Flutes

1 piece set!

For 3/4" to 7/8" material



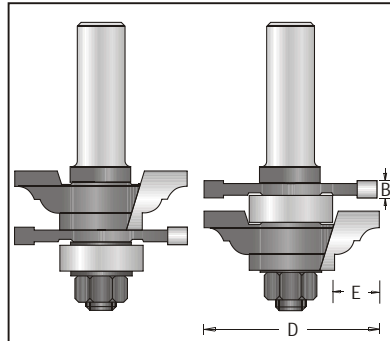
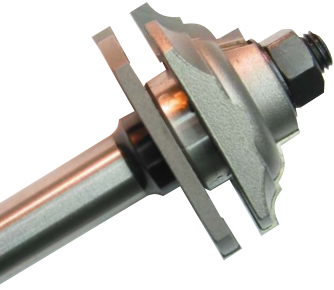
Replacement Parts:
Profile Cutter: 1421010

Groover:
Arbor & Nut: 1900048

Tool no.	D	Shank	B	E	Length	Category
142R8-45-1	1 13/16"	1/2"	5/32"	1/2"	3"	R

Ball Bearing: BB-22
Washer: 1920110

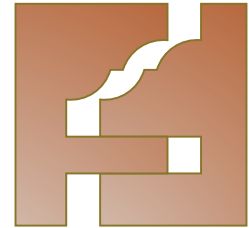
Spacer 0.1mm: 1921000
Spacer 0.05mm: 1920500



Rail & Stile Bits,
Reversible, 1 Piece,
2 Flutes

1 piece set!

For 3/4" to 7/8" material



Replacement Parts:
Profile Cutter: 1441010

Groover:
Arbor & Nut: 1900048

Tool no.	D	Shank	B	E	Length	Category
142R8-45-2	1 13/16"	1/2"	5/32"	1/2"	3"	R

Ball Bearing: BB-22
Washer: 1920110

Spacer 0.1mm: 1921000
Spacer 0.05mm: 1920500