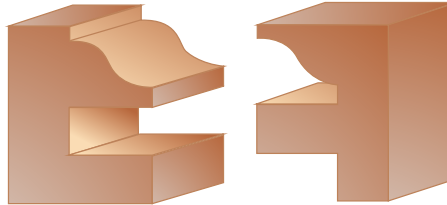
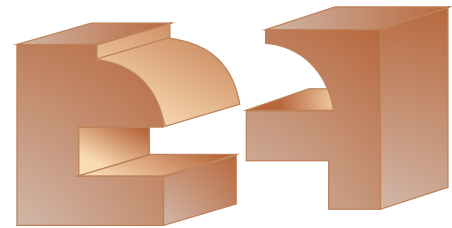
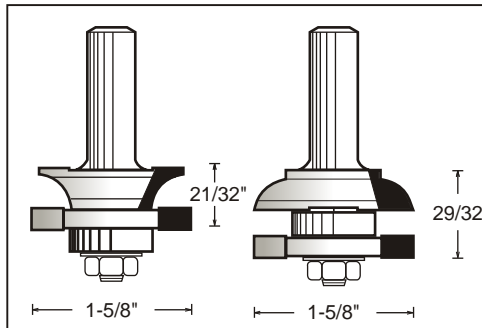


Rail & Stile Bits, 2 Piece sets, 1/2" Shank

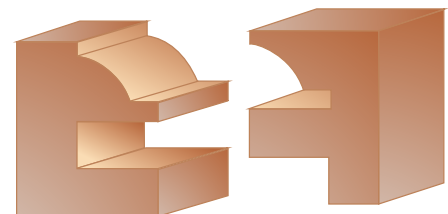
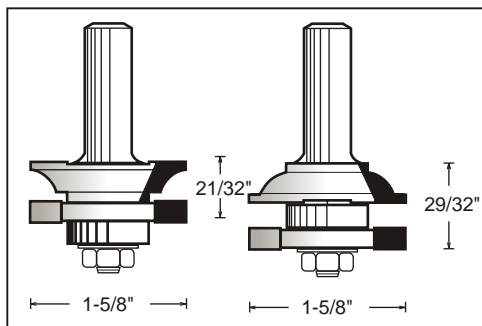
- Full size carbide tips for better chip ejection
- Thick carbide (2.2mm) for 10-15 sharpenings
- CNC machined hardened body for vibration free operation
- Precise match of body to carbide contour for better edge support
- Anti kick-back body design for safe and easy feed while protecting your motor
- Solid wood box to protect your router bits
- Economically priced to fit your budget



Tool no.	D	Shank	B	Length	Category
WP2421	1 5/8"	1/2"	29/32"	2 29/32"	WP



Tool no.	D	Shank	B	Length	Category
WP2422	1 5/8"	1/2"	29/32"	2 29/32"	WP



Tool no.	D	Shank	B	Length	Category
WP2423	1 5/8"	1/2"	29/32"	2 29/32"	WP