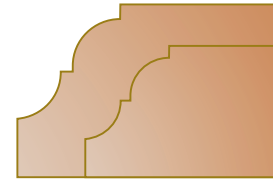
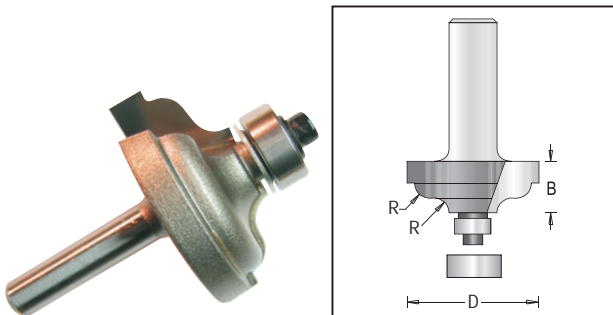


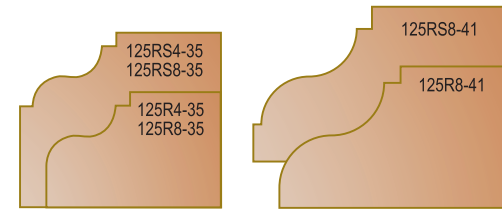
Roman Ogee Bits with Ball Bearing Guide, 2 Flutes



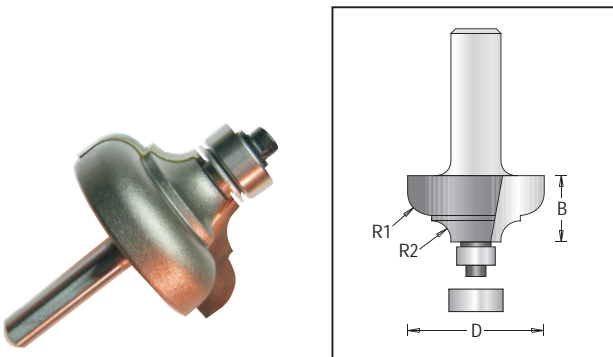
Tool no.	D	Shank	B	R	Length	Category
113RSP4-4	1"	1/4"	5/8"	5/32"	2 1/16"	R
113RSP8-4	1"	1/2"	5/8"	5/32"	2 7/16"	R
113RSP4-6	1 3/8"	1/4"	3/4"	1/4"	2 1/4"	R
113RSP8-6	1 3/8"	1/2"	3/4"	1/4"	2 5/8"	R



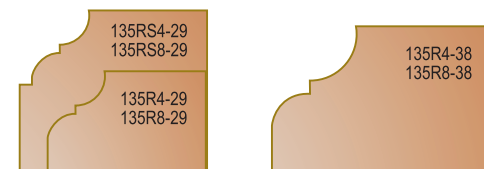
Ogee Fillet Bits with Ball Bearing Guide, 2 Flutes



Tool no.	D	Shank	B	R	Length	Category
125R4-35	1 3/8"	1/4"	9/16"	5/32"	2 1/16"	R
125R8-35	1 3/8"	1/2"	9/16"	5/32"	2 1/2"	R
125R8-41	1 5/8"	1/2"	3/4"	1/4"	2 5/8"	R
125RS4-35	1 3/8"	1/4"	9/16"	5/32"	2 1/16"	R
125RS8-35	1 3/8"	1/2"	9/16"	5/32"	2 1/2"	R
125RS8-41	1 5/8"	1/2"	3/4"	1/4"	2 5/8"	R



Ogee Fillet Bits with Ball Bearing Guide, 2 Flutes



Tool no.	D	Shank	B	R1	R2	Length	Category
135R4-29	1 1/8"	1/4"	1/2"	5/32"	5/32"	2 1/16"	R
135R8-29	1 1/8"	1/2"	1/2"	5/32"	5/32"	2 3/8"	R
135R4-38	1 3/8"	1/4"	11/16"	1/4"	3/16"	2 3/16"	R
135R8-38	1 3/8"	1/2"	11/16"	1/4"	3/16"	2 9/16"	R
135RS4-29	1 1/8"	1/4"	1/2"	5/32"	5/32"	2"	R
135RS8-29	1 1/8"	1/2"	1/2"	5/32"	5/32"	2 3/8"	R
135RS4-38	1 3/8"	1/4"	11/16"	1/4"	3/16"	2 3/16"	R
135RS8-38	1 3/8"	1/2"	11/16"	1/4"	3/16"	2 9/16"	R