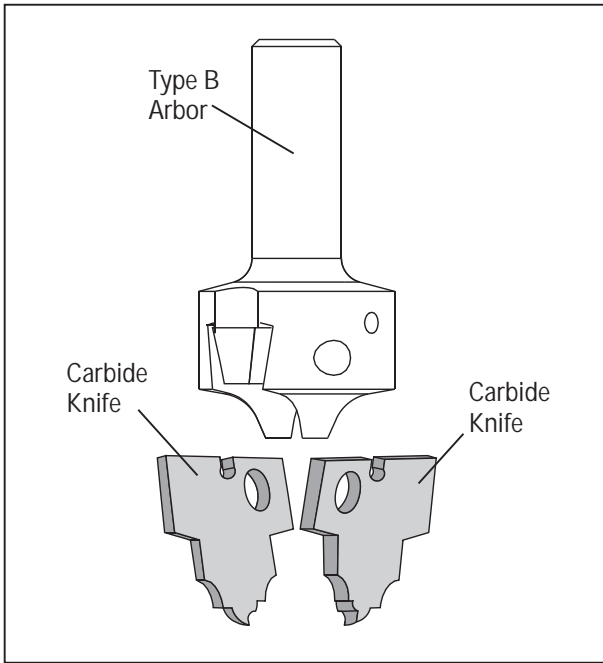
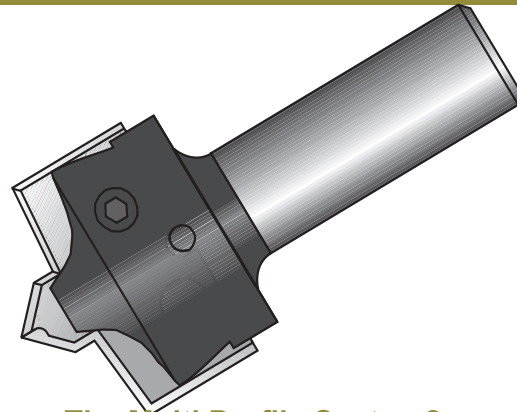


# New Age Profile Routing Tools with Replaceable Tips Multi Profile System Type A



## Why Choose The Multi Profile System?

### Durability

Replaceable Carbide knives are harder, stronger, longer lasting and perform better on abrasive materials.

### Versatility

One Router Bit gives you a wide variety of profiling options and can be used with Portable, or Industrial CNC machinery.

### Safety

Chip Limitation design for safe operation. All Router bits have been tested for maximum stress by the German institute of Technology.

### Service free

The Router Bits do not need sharpening. Simply replace the carbide knives.

### Accuracy

Carbide knives have consistent and precise profiles for optimum and continued operation without adjustments.

### Cost effective

Longer lasting knives, better performance, down time is minimal. Only Carbide Knives are replaced.

### Easy to replace

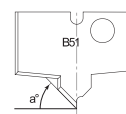
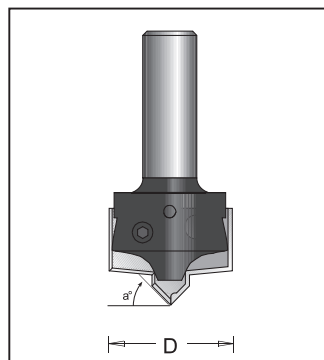
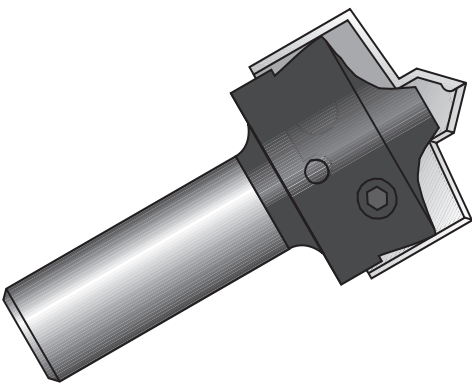
Step by step instructions included, so you can do it yourself.

## It's a whole workshop of options in a single Router Bit

The new Multi Profile System gives you a wide range of profiling options in a single Router bit with Replaceable Carbide Tips.

This New Age Router bit System, developed by DIMAR, puts the power of greater precision, better performance and higher versatility into your hands.

## "V" Groove 90°, 2 Flute, Type B



Tool no.	Blade #	D	Shank	a	Length	Category
N4-B51	B51	1 1/4"	1/4"	45°	2 1/4"	I
N8-B51	B51	1 1/4"	1/2"	45°	2 5/8"	I