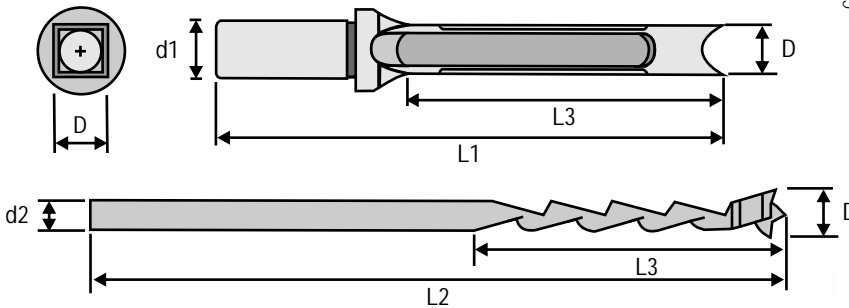


Mortising Chisel and Bit Sets

The chisel point has four teeth all equal in height. The walls of the chisel point are all equal in thickness for superior long lasting performance. Mortising Chisel and bit sets cut square holes for various sized mortise and tenon joints. Used with attachments or dedicated mortisers.

- Made of premium quality hardened tool steel.
- Highly polished chisel surface for easy penetration.
- Large side opening for fast chip removal.



COMPLETE SET = MORTISING CHISEL AND DRILL BIT

REPLACEMENT DRILL BIT



COMPLETE SET = MORTISING CHISEL AND DRILL BIT

Tool no.	Chisel Size D	Shank d1	Shank d2	L1	L2	L3	Cat.
MQD-001	1/4"	5/8"	4.55 mm	4 5/16"	8 1/4"	2 5/32"	JB
MQD-002	5/16"	5/8"	5.85mm	4 5/16"	8 1/4"	2 5/32"	JB
MQD-003	3/8"	5/8"	6.85mm	5 1/2"	8 1/4"	3 5/32"	JB
MQD-005	1/2"	5/8"	9.85mm	5 1/2"	8 1/4"	3 5/32"	JB

MQC-001	1/4"	3/4"	4.55mm	5 5/16"	8 1/4"	2 3/4"	JB
MQC-002	5/16"	3/4"	5.85mm	5 1/2"	8 1/4"	2 3/4"	JB
MQC-003	3/8"	3/4"	6.85mm	5 1/2"	8 1/4"	3 5/32"	JB
MQC-004	7/16"	3/4"	8.05mm	5 1/2"	8 1/4"	3 5/32"	JB
MQC-005	1/2"	3/4"	9.85mm	5 1/2"	8 1/4"	3 5/32"	JB
MQC-006	5/8"	3/4"	12mm	6 5/16"	8 9/16"	4"	JB
MQC-007	3/4"	3/4"	12mm	6 5/16"	8 7/8"	4 1/8"	JB
MQC-009	1"	3/4"	12mm	6 5/16"	8 7/8"	4 1/8"	JB

REPLACEMENT DRILL BIT

Tool no.	Chisel Size D	Shank d2	L2	L3	Cat.
MQD-001B	1/4"	4.55 mm	8 1/4"	2 5/32"	JB
MQD-002B	5/16"	5.85mm	8 1/4"	2 5/32"	JB
MQD-003B	3/8"	6.85mm	8 1/4"	3 5/32"	JB
MQD-005B	1/2"	9.85mm	8 1/4"	3 5/32"	JB

MQC-001B	1/4"	4.55mm	8 1/4"	2 3/4"	JB
MQC-002B	5/16"	5.85mm	8 1/4"	2 3/4"	JB
MQC-003B	3/8"	6.85mm	8 1/4"	3 5/32"	JB
MQC-004B	7/16"	8.05mm	8 1/4"	3 5/32"	JB
MQC-005B	1/2"	9.85mm	8 1/4"	3 5/32"	JB
MQC-006B	5/8"	12mm	8 9/16"	4"	JB
MQC-007B	3/4"	12mm	8 7/8"	4 1/8"	JB
MQC-009B	1"	12mm	8 7/8"	4 1/8"	JB