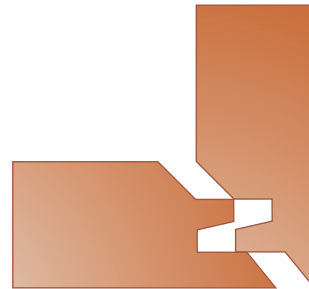
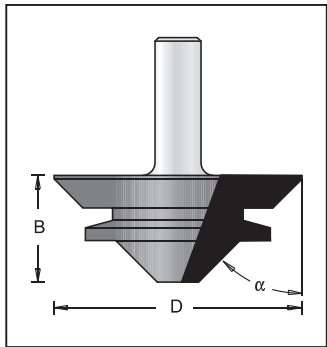


Miter Lock Bit, 1/2" Shank, 2 Flutes



Tool no.	D	Shank	B	$\alpha$	Length	Category
WP149845	1 3/4"	1/2"	13/16"	45	2 1/4"	WP