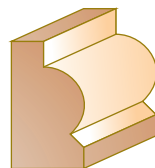
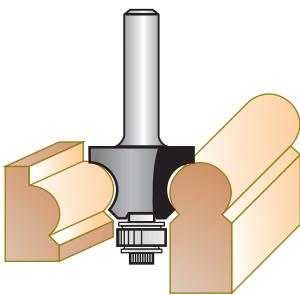
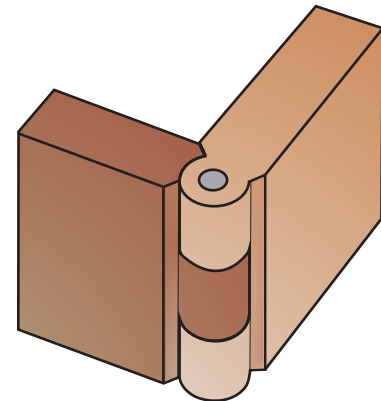
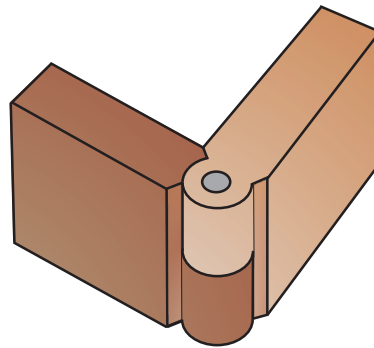


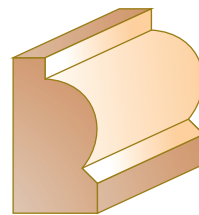
Knuckle Joint Bits / Knuckle Hinge Joint

Knuckle Joint Bits or Knuckle Hinge Joint is often used to connect a movable table leg to the framing, where it is necessary for the table leg and rail to swing outwards and support a drop leaf. The pivot is formed by a piece of round iron rod running through the centre of the joint. The Joint is strong and appealing as it shows off the beauty of the wood instead of using metal joint.

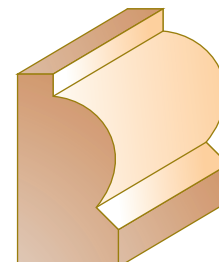
Tool no.	D	Shank	Recommended wood thickness	B	R	Length	Category
WPK-SET	Complete 4 pc SET						WP
consists of:							
WPK-11	13/16"	1/4"	10-12mm	14mm	5.5mm	2 1/8"	WP
WPK-14	15/16"	1/4"	14-15mm	17mm	7.14mm	2 1/4"	WP
WPK-17	1 1/32"	1/4"	17-18mm	20mm	8.5mm	2 3/8"	WP
WPK-19	1 1/8"	1/4"	19mm	22mm	9.5mm	2 1/2"	WP



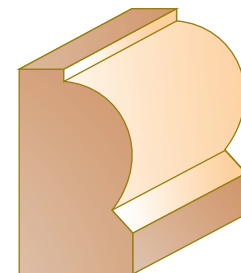
WPK-11



WPK-14



WPK-17



WPK-19