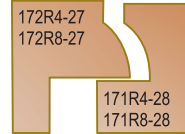
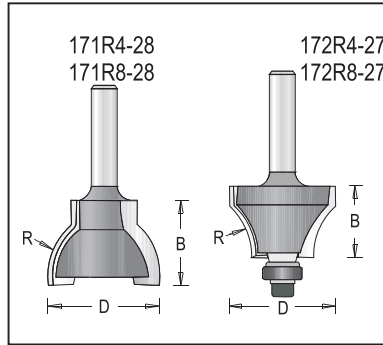
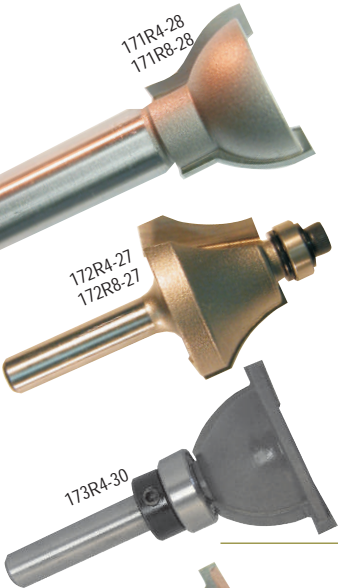
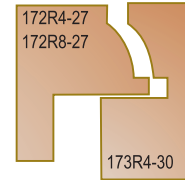
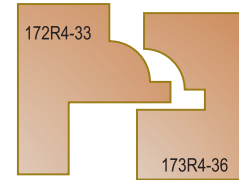
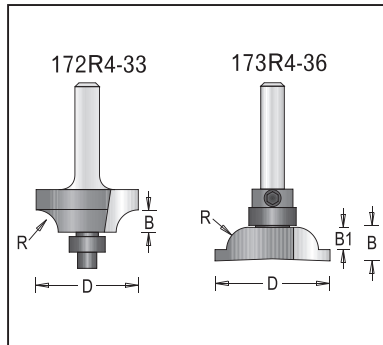
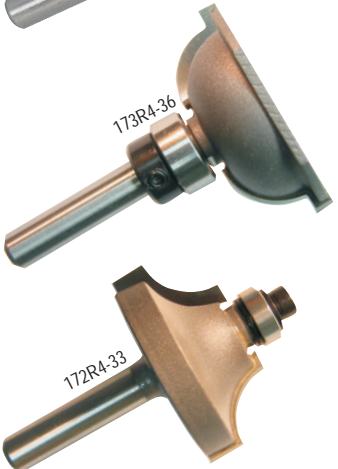


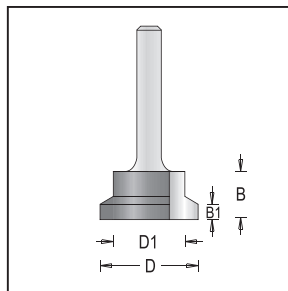
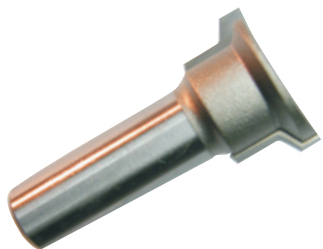
Sash Bar Joint Bits, 2 Flutes



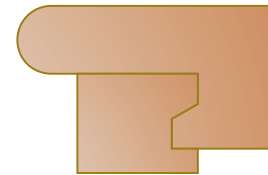
Tool no.	D	Shank	B	R	Length	Cat.
171R4-28	1 1/8"	1/4"	3/4"	11/16"	1 7/8"	R
171R8-28	1 1/8"	1/2"	3/4"	11/16"	2 5/16"	R
172R4-27	1 1/16"	1/4"	11/16"	11/16"	2 3/16"	R
172R8-27	1 1/16"	1/2"	11/16"	11/16"	2 5/8"	R



Tool no.	D	Shank	B	B1	R	Length	Cat.
172R4-27	1 1/16"	1/4"	11/16"	1/2"	11/16"	2 3/16"	R
172R4-33	1 5/16"	1/4"	19/32"	3/8"	11/32"	2 1/16"	R
173R4-30	1 3/16"	1/4"	5/8"	1/2"	11/16"	2"	R
173R4-36	1 7/16"	1/4"	15/32"	3/8"	11/32"	1 7/8"	R



Locking Joint Bits, 2 Flutes



For gluing drawers, table tops and panels

Tool no.	D	D1	Shank	B	B1	Length	Cat.
144R4-19	3/4"	12.2mm	1/4"	1/2"	4mm	1 7/8"	R
144R4-25	1"	18.5mm	1/4"	1/2"	4mm	1 7/8"	R
144R8-25	1"	18.5mm	1/2"	1/2"	4mm	1 7/8"	R