

B = 4mm
B = 5mm
B = 6mm

Grooving Cutter with scorers 4 - 6mm

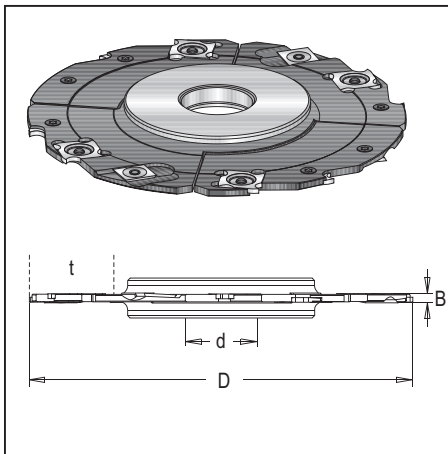
Wear resistant steel body, complete with replaceable solid tungsten carbide knives and scorers for improved finish. Suitable for producing grooves and slots in softwood, hardwood and man-made boards (with or without coating) on a spindle moulder.

Tool no.	D	d	B	Teeth	t	RPM	Category
K8C125-4	125mm	1 1/4"	4mm	4+4	35mm	6,100 - 10,500	CNC
K8C125-5	125mm	1 1/4"	5mm	4+4	35mm	6,100 - 10,500	CNC
K8C125-6	125mm	1 1/4"	6mm	4+4	35mm	6,100 - 10,500	CNC
K8C150-4	150mm	1 1/4"	4mm	4+4	45mm	5,200 - 8,900	CNC
K8C150-5	150mm	1 1/4"	5mm	4+4	45mm	5,200 - 8,900	CNC
K8C150-6	150mm	1 1/4"	6mm	4+4	45mm	5,200 - 8,900	CNC
K8C180-4	180mm	1 1/4"	4mm	8+8	55mm	4,200 - 7,200	CNC
K8C180-5	180mm	1 1/4"	5mm	8+8	55mm	4,200 - 7,200	CNC
K8C180-6	180mm	1 1/4"	6mm	8+8	55mm	4,200 - 7,200	CNC

Replacement Parts:

Part	Part No.	Part No.	Part No.	Part No.	Part No.	Part No.
T.C. Blade	3008501	3008502	1923500	1923600	1930280	1941100
T.C. Blade	3008504	3008502	1923500	1923600	1930300	1941100
T.C. Blade Nut	3008505	3008502	1923500	1923600	1930310	1941100

Price per single knife.



Adjustable Grooving Cutter with scorers 4 - 7.5mm

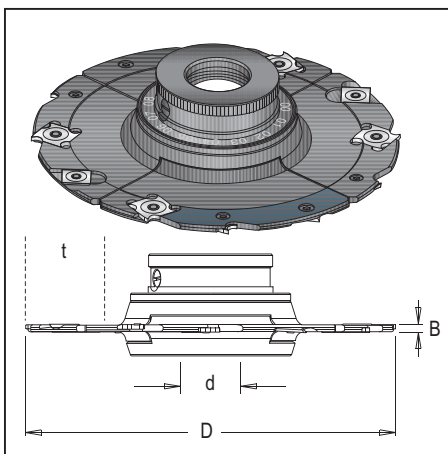
Wear resistant steel body complete, with replaceable solid tungsten carbide knives and scorers for improved finish. Suitable for producing various thickness grooves and slots in softwood, hardwood and man-made boards (with or without coating) on a spindle moulder. Cutting width can be adjusted in 0.1mm increments by using supplied spacer rings.

Tool no.	D	d	B	Teeth	t	RPM	Category
K8C160-4	160mm	1 1/4"	4 - 7.5mm	8+4	30mm	4,800 - 8,300	CNC
K8C180-4B	180mm	1 1/4"	4 - 7.5mm	8+4	40mm	4,300 - 7,500	CNC

Replacement Parts:

Part	Part No.	Part No.	Part No.	Part No.	Part No.	Part No.
T.C. Blade	3008501	3008502	1926707	1923600	1923500	1930280
T.C. Blade	3008501	3008502	1926707	1923600	1923500	1930280
Spacer Set	3008501	3008502	1926707	1923600	1923500	1930280
T.C. Blade Nut	3008501	3008502	1926707	1923600	1923500	1930280
T.C. Blade Nut	3008501	3008502	1926707	1923600	1923500	1930280
Torx Screw	3008501	3008502	1926707	1923600	1923500	1930280
Torx Key	3008501	3008502	1926707	1923600	1923500	1930280

Price per single knife.



Adjustable Grooving Cutter with dial 4 - 7.5mm

Wear resistant steel body complete, with replaceable solid tungsten carbide knives and scorers for improved finish. Suitable for producing various thickness grooves and slots in softwood, hardwood and man-made boards (with or without coating) on a spindle moulder. Cutting width can be adjusted in 0.1mm increments by special threaded ring nut and scale, without removing the cutter from the spindle.

Tool no.	D	d	B	Teeth	t	RPM	Category
K8C160-4D	160mm	1 1/4"	4 - 7.5mm	8+4	30mm	4,800 - 8,300	CNC
K8C180-4D	180mm	1 1/4"	4 - 7.5mm	8+4	40mm	4,300 - 7,500	CNC

Replacement Parts:

Part	Part No.	Part No.	Part No.	Part No.	Part No.	Part No.
T.C. Blade	3008501	3008502	1933670	1923600	1923500	1930280
T.C. Blade	3008501	3008502	1933670	1923600	1923500	1930280
Screw	3008501	3008502	1933670	1923600	1923500	1930280
T.C. Blade Nut	3008501	3008502	1933670	1923600	1923500	1930280
T.C. Blade Nut	3008501	3008502	1933670	1923600	1923500	1930280
Torx Screw	3008501	3008502	1933670	1923600	1923500	1930280
Torx Key	3008501	3008502	1933670	1923600	1923500	1930280

Price per single knife.