

B = 8 - 15mm

B = 12.5 - 24mm

Adjustable Grooving Cutter with scorers 8 - 24mm Category CNC

Wear resistant steel body complete, with replaceable solid tungsten carbide knives and scorers for improved finish. Suitable for producing various thickness grooves and slots in softwood, hardwood and man-made boards (with or without coating) on a spindle moulder. Cutting width can be adjusted in 0.1mm increments by using supplied spacer rings.

Tool no.	D	d	B	Teeth	t	RPM	H(min)	H(max)
K8C160-8	160mm	1 1/4"	8 - 15mm	4+4	30mm	4,800 - 8,300	13	20
K8C160-12	160mm	1 1/4"	12.5 - 24mm	4+4	30mm	4,800 - 8,300	17.5	29
K8C180-8B	180mm	1 1/4"	8 - 15mm	4+4	40mm	4,300 - 7,500	13	20
K8C180-12B	180mm	1 1/4"	12.5 - 24mm	4+4	40mm	4,300 - 7,500	17.5	29

Replacement Parts:



T.C. Blade

3107512



Wedge

1990310



T.C. Blade

L142



Spacer Set

1926717



Torx Screw

1933700



Allen Screw

1930600



Torx Key

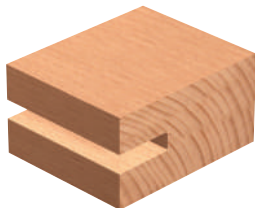
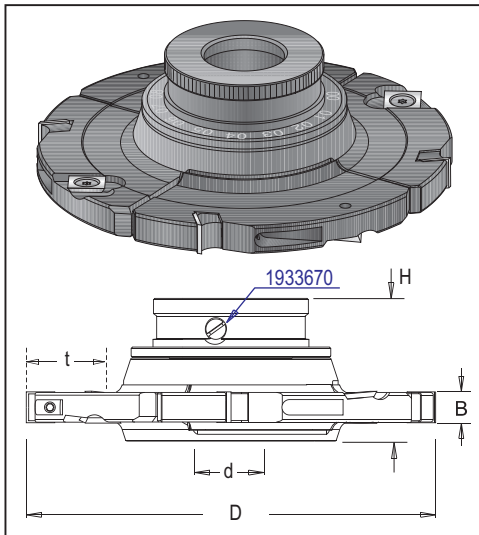
1941060



Allen Key

1940080

Price per single knife.



B = 8 - 15mm

B = 12.5 - 24mm

Adjustable Grooving Cutter w/ scorers & dial 8 - 24mm Category CNC

Wear resistant steel body complete, with replaceable solid tungsten carbide knives and scorers for improved finish. Suitable for producing various thickness grooves and slots in softwood, hardwood and man-made boards (with or without coating) on a spindle moulder. Cutting width can be adjusted in 0.1mm increments by special threaded ring nut and scale, without removing the cutter from the spindle.

Tool no.	D	d	B	Teeth	t	RPM	H
K8C160-8D	160mm	1 1/4"	8 - 15mm	4+4	30mm	4,800 - 8,300	50mm
K8C160-12D	160mm	1 1/4"	12.5 - 24mm	4+4	30mm	4,800 - 8,300	56mm
K8C180-8D	180mm	1 1/4"	8 - 15mm	4+4	40mm	4,300 - 7,500	50mm
K8C180-12D	180mm	1 1/4"	12.5 - 24mm	4+4	40mm	4,300 - 7,500	56mm

Replacement Parts:



T.C. Blade

3107512



Wedge

1990310



T.C. Blade

L142



Torx Screw

1933700



Flat Screw

1933670



Allen Screw

1930600



Torx Key

1941060



Allen Key

1940080

Price per single knife.