

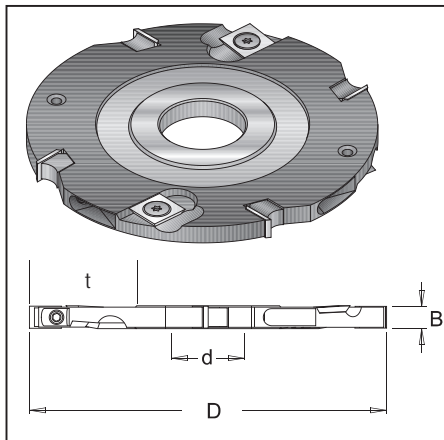
# Cutters

DIMAR offers a wide variety of Cutter heads that provide solutions for the woodworking industry.

Cutters are manufactured precisely to perfection with tight tolerances to ensure satisfying results for the most demanding professionals.

Cutter head bodies are made of tool steel or aluminum with Carbide Teeth, Brazed or Replaceable inserts.

Whether for Grooving, Rabbeting, Beveling, Rounding, Chamfering or Profiling, we have them all!



## Grooving Cutter with scorers 8-12mm

Wear resistant steel body, complete with replaceable solid tungsten carbide knives and scorers for improved finish. Suitable for producing grooves and slots in softwood, hardwood and man-made boards (with or without coating) on a spindle moulder.

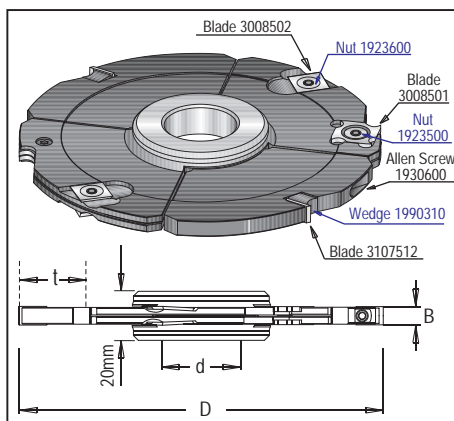
Tool no.	D	d	B	Teeth	t	RPM	Category
K8C125-8	125mm	1 1/4"	8mm	4+4	35mm	6,100 - 10,500	CNC
K8C125-10	125mm	1 1/4"	10mm	4+4	35mm	6,100 - 10,500	CNC
K8C125-12	125mm	1 1/4"	12mm	4+4	35mm	6,100 - 10,500	CNC
K8C150-8	150mm	1 1/4"	8mm	4+4	45mm	5,200 - 8,900	CNC
K8C150-10	150mm	1 1/4"	10mm	4+4	45mm	5,200 - 8,900	CNC
K8C150-12	150mm	1 1/4"	12mm	4+4	45mm	5,200 - 8,900	CNC
K8C180-8	180mm	1 1/4"	8mm	4+8	55mm	4,200 - 7,200	CNC
K8C180-10	180mm	1 1/4"	10mm	4+8	55mm	4,200 - 7,200	CNC
K8C180-12	180mm	1 1/4"	12mm	4+8	55mm	4,200 - 7,200	CNC



B = 8mm  
B = 10mm  
B = 12mm

### Replacement Parts:

Image	T.C. Blade	Wedge	T.C. Blade	Torx Screw	Allen Screw	Torx Key	Allen Key
	3107512	1990310	3008503	1933700	1930600	1941060	1940080
	3007507	1990230	3008503	1933700	1930600	1941060	1940080
	3007509	1990320	3008503	1933700	1930600	1941060	1940080



## Adjustable Grooving Cutter with scorers 4 - 15.5mm

Wear resistant steel body complete, with replaceable solid tungsten carbide knives and scorers for improved finish. Suitable for producing various thickness grooves and slots in softwood, hardwood and man-made boards (with or without coating) on a spindle moulder. Cutting width can be adjusted in 0.1mm increments by using supplied spacer rings.

Tool no.	D	d	B	Teeth	t	RPM	Category
K8C150-4B	150mm	1 1/4"	4 - 15.5mm	2+4+4	45mm	5,500 - 8,500	CNC

### Replacement Parts:

Image	Price per single knife.	T.C. Blade	Wedge	T.C. Blade	T.C. Blade	Torx Screw	Allen Screw	Torx Key	Allen Key
	3107512	1990310	3008501	3008502	1930280	1930600	1941100	1940080	
	1926197	T.C. Blade Nut	T.C. Blade Nut						
	1923600	1923500							

