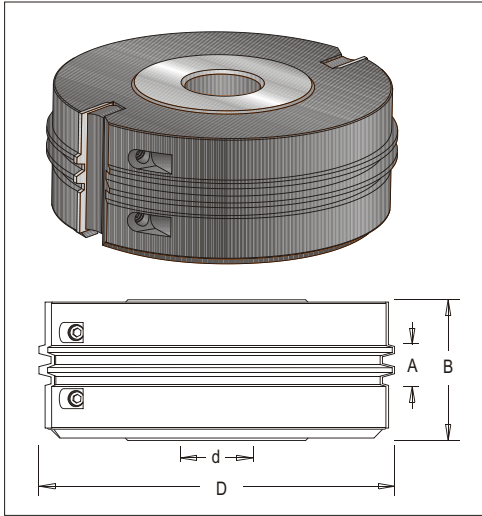
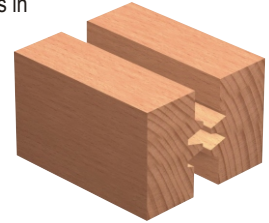


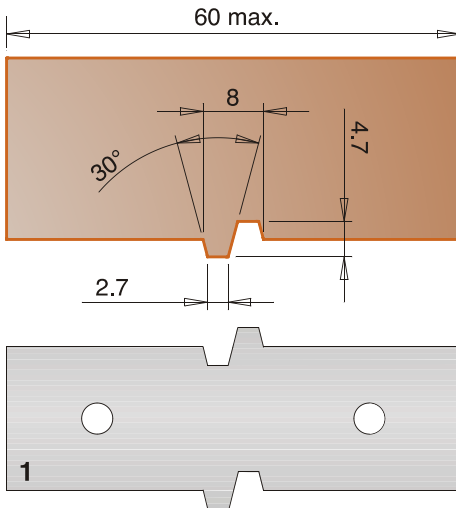
## Glue Joint Cutter

Wear resistant aluminum or steel bodies, complete with replaceable solid tungsten carbide knives. Suitable for producing 'finger style' reversible glue joints in softwood, hardwood and man-made boards on a spindle moulder.



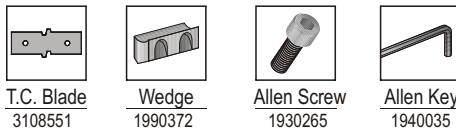
Tool no.	D	d	A	B	Profile	RPM	Category
*K149C120-60	120mm	1 1/4"	8mm	60mm	1	6,500 - 9,500	CNC
K149C140-50	140mm	1 1/4"	16mm	50mm	2	5,400 - 8,800	CNC
K149C140-60	140mm	1 1/4"	24mm	60mm	3	5,400 - 8,800	CNC

\*Aluminum

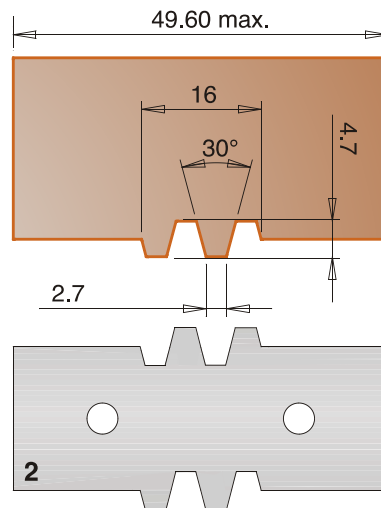


Replacement Parts:

Profile #1

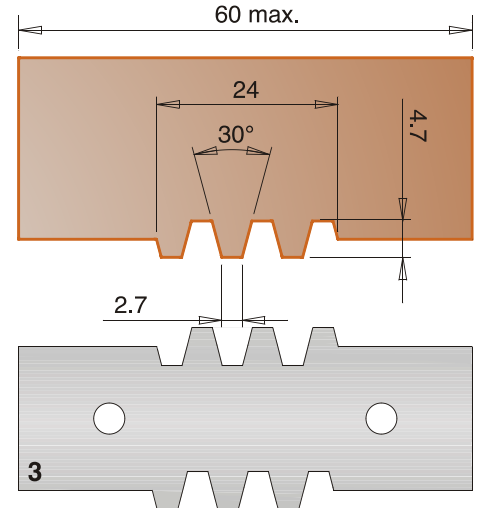
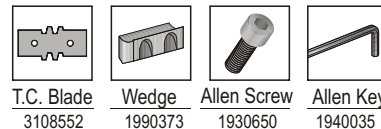


Price per single knife.



Scale 1:1

Profile #2



Profile #3

