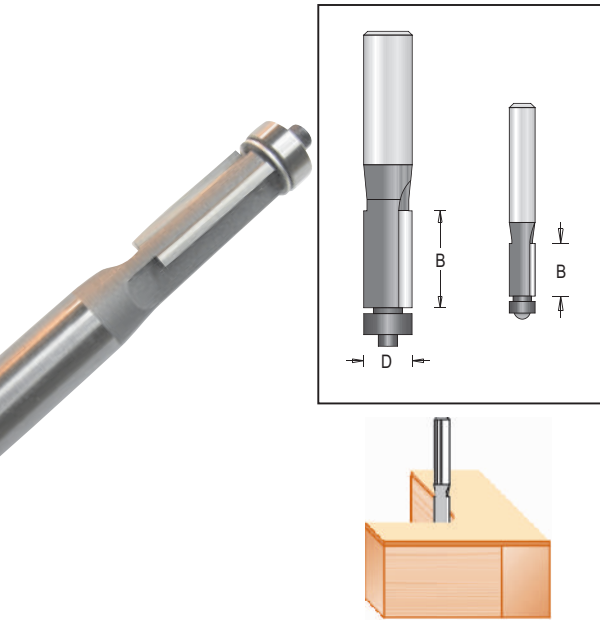


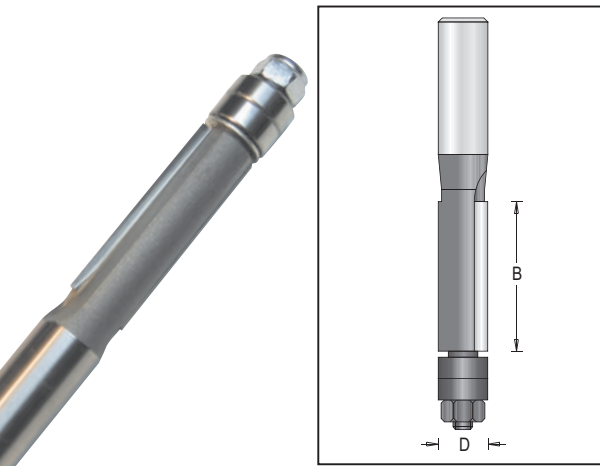
Flush Trim Bits with Ball Bearing Guide



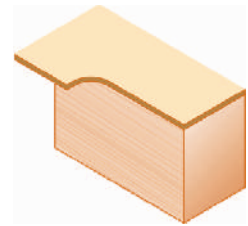
Tool no.	Flutes	D	Shank	B	Length	Category
101R46-1	2	1/4"	1/4"	1"	2 1/2"	R
101R46-2	2	1/4"	1/4"	1/2"	2"	R
101R38-1	2	3/8"	1/4"	1"	2 5/8"	R
101R38-2	2	3/8"	1/4"	1/2"	2 1/4"	R
101R42-1	2	1/2"	1/4"	1"	2 5/8"	R
101R42-2	2	1/2"	1/4"	1/2"	2 1/4"	R
101R82-1	2	1/2"	1/2"	1"	3 1/4"	R
101R82-2	2	1/2"	1/2"	1/2"	2 3/4"	R
101R82-3	2	1/2"	1/2"	1 1/2"	3 7/8"	R
101R82-4	2	1/2"	1/2"	2"	4 1/4"	R
101R32-1	2	1/2"	3/8"	1"	2 3/4"	R
101R-16	2	5/8"	1/4"	5/8"	2 3/16"	R
101R89-1	2	3/4"	1/2"	1"	3"	R
101RR42-1	3	1/2"	1/4"	1"	2 5/8"	R
101RR42-2	3	1/2"	1/4"	1/2"	2 1/4"	R
101RR82-1	3	1/2"	1/2"	1"	3 1/4"	R
101RR82-2	3	1/2"	1/2"	1/2"	2 3/4"	R
101RR82-3	3	1/2"	1/2"	1 1/2"	3 7/8"	R



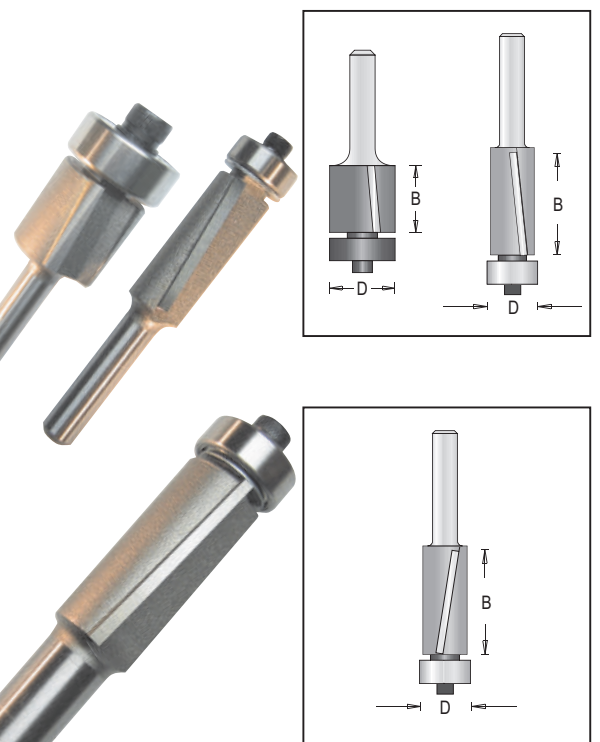
Trim Bits with Double Ball Bearing Guide



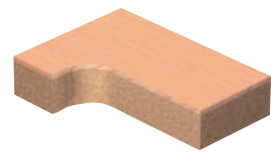
Tool no.	Flutes	D	Shank	B	Length	Category
101RD82-3	2	1/2"	1/2"	1 1/2"	4 1/16"	R
101RD82-4	2	1/2"	1/2"	2"	4 1/2"	R
101RRD82-3	3	1/2"	1/2"	1 1/2"	4 1/16"	R



Helix Laminate Flush Trim Bits, with Ball Bearing Guide, 2 Flutes



Tool no.	D	Shank	B	Length	Category
101RLH4-12	1/2"	1/4"	1"	2 5/8"	R
101RH8-12	1/2"	1/2"	1"	3"	R
101RH4-16	5/8"	1/4"	5/8"	2 3/16"	R
101RH4-19	3/4"	1/4"	5/8"	2 3/8"	R
101RLH4-19	3/4"	1/4"	1"	2 7/8"	R
101RLSH8-19	3/4"	1/2"	1 1/2"	4"	R
101RLSWH8-19	3/4"	1/2"	2"	4 1/2"	R



Up-Shear Flush Trim Bits, with Ball Bearing Guide, 2 Flutes

With positive shear angle. For trimming bottom wood and laminates.

Tool no.	D	Shank	B	Length	Category
101R42-1U	1/2"	1/4"	1"	2 5/8"	R
101R89-3U	3/4"	1/2"	1 1/2"	4"	R
101R89-4U	3/4"	1/2"	2"	4 5/8"	R

