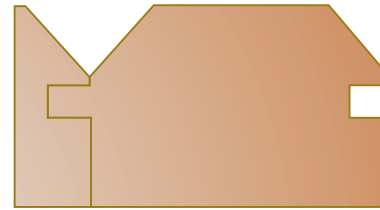
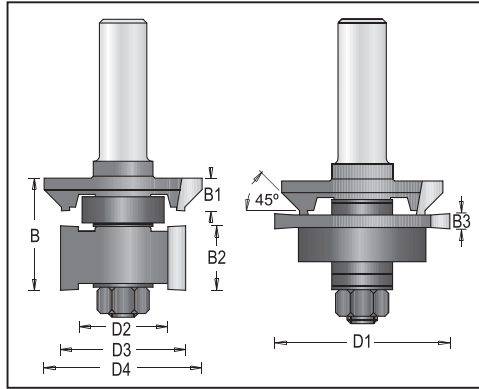
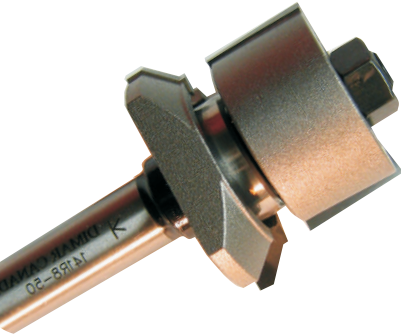


"V" Panel Bit Set, 2 Flutes



1 piece set!

Tool no.	D1	D2	D3	D4	Shank	B1	B2	B3	B	Length	Category
141R8-50	1 13/16"	7/8"	1 5/16"	1 21/32"	1/2"	11/32"	11/16"	5/32"	1 3/16"	3"	R

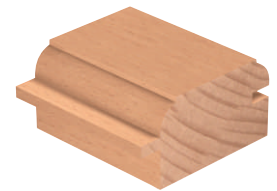
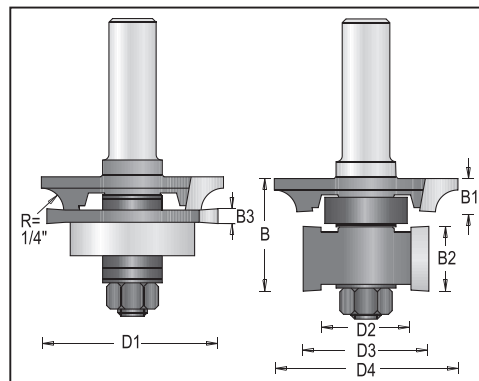
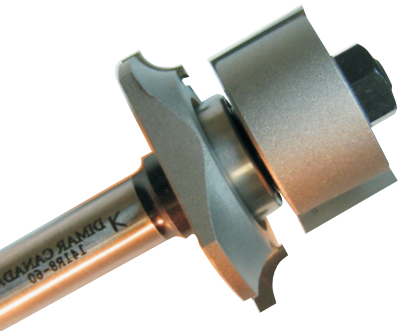
Replacement Parts:

Profile Cutter: 1681010
 Rabbiting Cutter: 1680010
 Groover: 1421040
 Arbor & Nut: 1900058

Ball Bearing: BB-22
 Ball Bearing: BB-33
 Spacer 3.0mm (x3) 1920150
 Spacer 1.0mm (x2) 1920110

Shims 0.5mm 1920130
 Shims 0.4mm 1920120
 Shims 0.1mm (x3) 1921000
 Shims 0.05mm 1920500

"C" Panel Bit Set, 2 Flutes



1 piece set!

Tool no.	D1	D2	D3	D4	Shank	B1	B2	B3	B	Length	Category
141R8-60	1 13/16"	7/8"	1 5/16"	1 7/8"	1/2"	11/32"	11/16"	5/32"	1 3/16"	3"	R

Replacement Parts:

Profile Cutter: 1682010
 Rabbiting Cutter: 1680010
 Groover: 1421040
 Arbor & Nut: 1900058

Ball Bearing: BB-22
 Ball Bearing: BB-33
 Spacer 3.0mm (x3) 1920150
 Spacer 1.0mm (x2) 1920110

Shims 0.5mm 1920130
 Shims 0.4mm 1920120
 Shims 0.1mm (x3) 1921000
 Shims 0.05mm 1920500