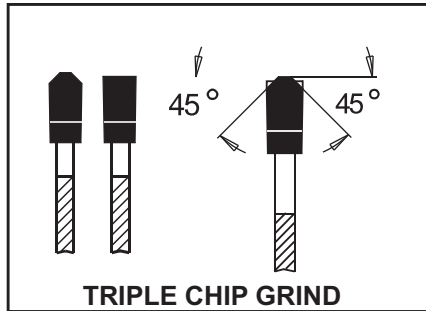
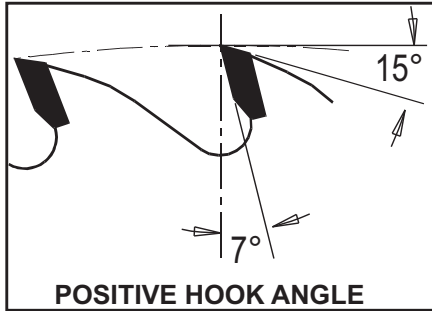


Carbide Tipped Saw Blades for Solid Wood & Laminate, Triple Chip (TCG), Thin Kerf



For cutting solid woods against the grain and single sided laminated boards. Thick carbide teeth made of Micro-grain titanium for exceptional durability and ultimate performance. Blade surface is coated with Non adhesive black coating for smooth cutting. Excellent cutting quality. Made in Germany

Tool no.	Dia.	Teeth	Kerf	Bore	Category
WP1060T	10"	60	.102" (2.6mm)	5/8"	WP
WP1080T	10"	80	.102" (2.6mm)	5/8"	WP

