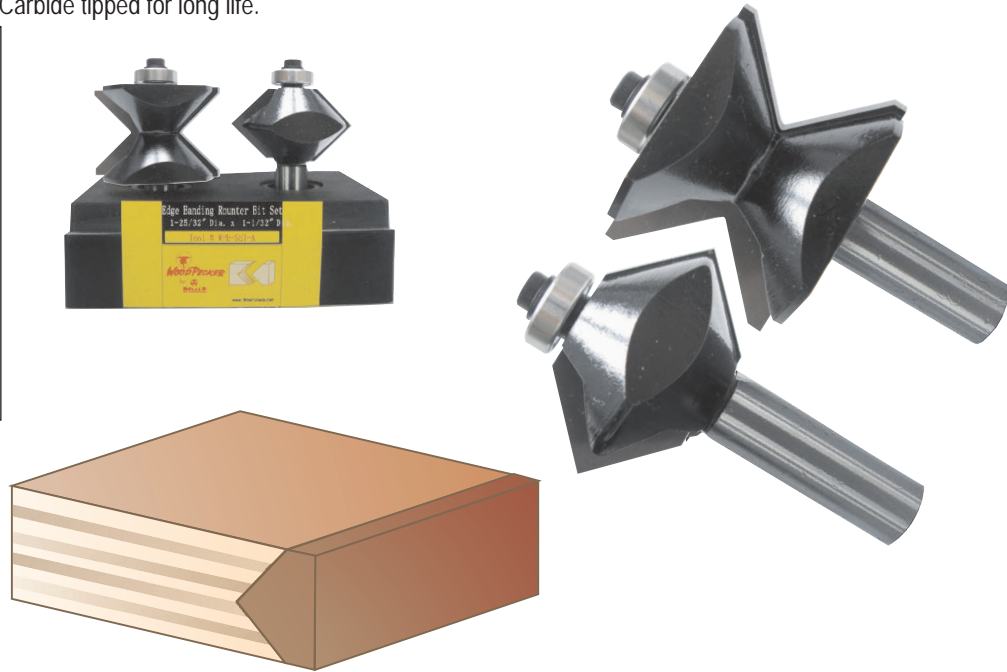
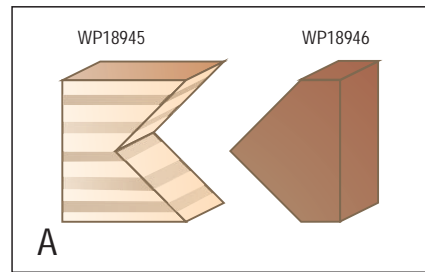
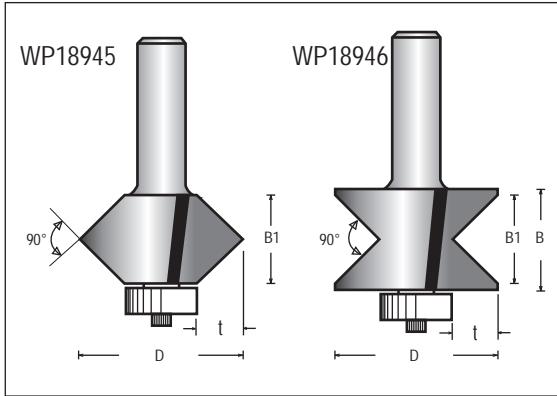


Edge Banding Router Bit Set , 2 Flutes

This two-piece bit set provides an economical way to create your own edge banding from the wood of your choice. This is a great way to create a finished edge on plywood or MDF panels and shelves which blends perfectly with the rest of your project.

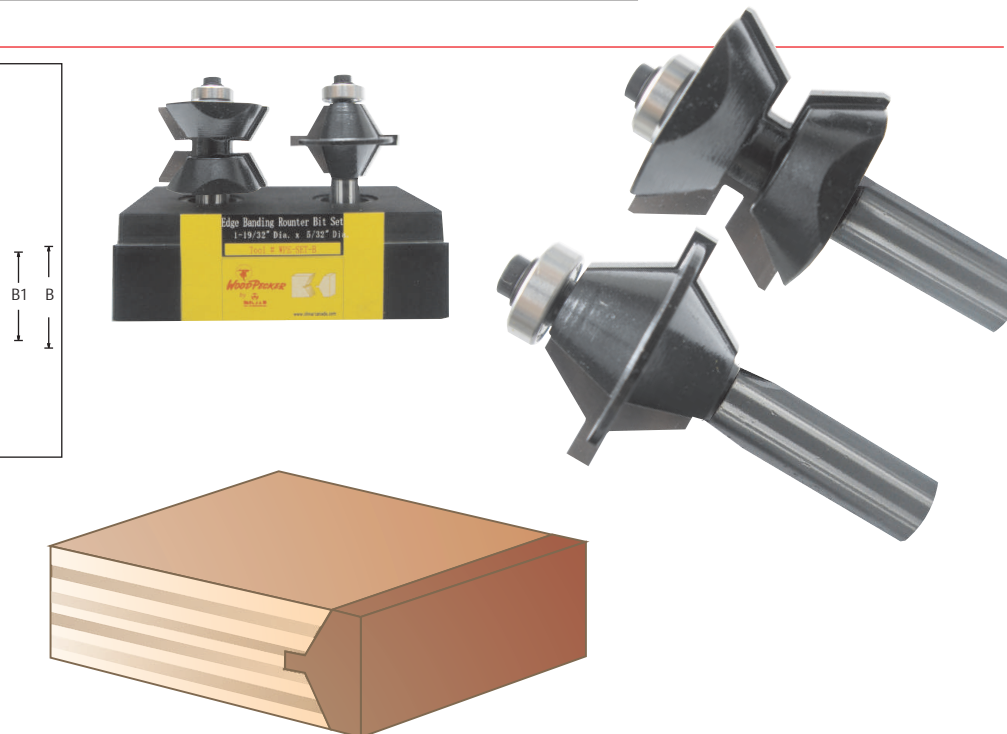
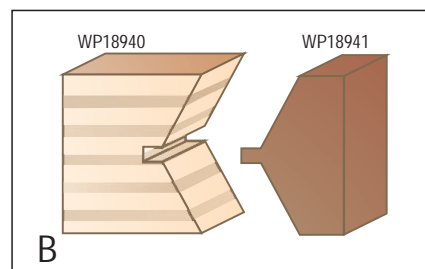
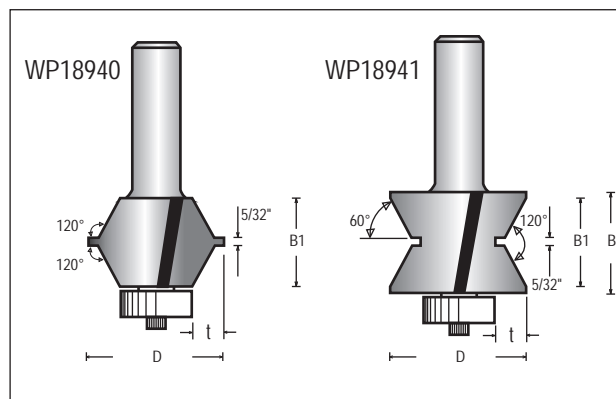
Using this bit set is simple, too. Just position each bit so that it is centered on the stock thickness and make the cut. For the best results we recommend that you cut the edge band stock slightly oversized and then flush trim it after assembly.

This unique set is available in two styles: 90 degree or 60 degree. The 90 degree bits can also be used to create 'V' grooves or double-sided chamfers. The 60 degree set creates a larger surface area for glue. Carbide tipped for long life.



Tool no.		D	Shank	B	B1	t	Length	Cat.
WPE-SET-A	Complete Set, 2 pcs							WP
WP18945	Groove	1 25/32"	1/2"		1 1/32"	33/64"	3 1/8"	WP
WP18946	Tongue	1 13/16"	1/2"	1 1/4"	1 1/32"	17/32"	3 1/8"	WP

Replacement Parts: Ball Bearing BB-19A



Tool no.		D	Shank	B	B1	t	Length	Cat.
WPE-SET-B	Complete Set, 2 pcs							WP
WP18940	Groove	1 9/32"	1/2"		1"	21/64"	3"	WP
WP18941	Tongue	1 5/8"	1/2"	1 1/8"	1 1/32"	1/2"	3"	WP

Replacement Parts: Ball Bearing BB-16A