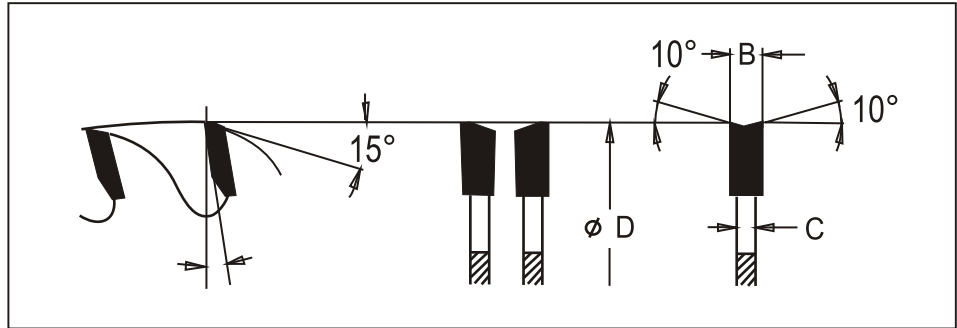




Carbide Tipped Saws - Door Jam -
For Hand Held Grinders



Tool no.	Dia.	Teeth	Kerf	Bore	Category
4 3/4-12 ATB	4 3/4"	12	.110" (2.8mm)	7/8"	WP
4 3/4-24 ATB	4 3/4"	24	.110" (2.8mm)	7/8"	WP