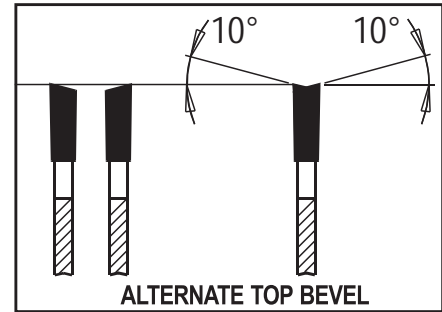
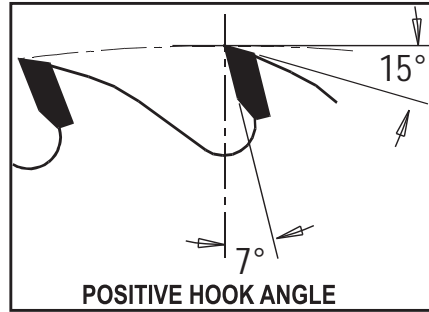




Carbide Tipped Cut Off Saw Blades, Thin Kerf, Alternate Top Bevel



For general crosscutting along and across the grain and trimming of wood, plywood, and particle board. Micro-grain titanium carbide teeth. Non-adhesive black coating. Thick carbide teeth. Premium quality, made in Germany.

| Tool no. | Dia. | Teeth | Kerf          | Bore | Category |
|----------|------|-------|---------------|------|----------|
| WP864A   | 8"   | 64    | .102" (2.6mm) | 5/8" | WP       |
| WP1040A  | 10"  | 40    | .102" (2.6mm) | 5/8" | WP       |
| WP1060A  | 10"  | 60    | .102" (2.6mm) | 5/8" | WP       |
| WP1080A  | 10"  | 80    | .102" (2.6mm) | 5/8" | WP       |