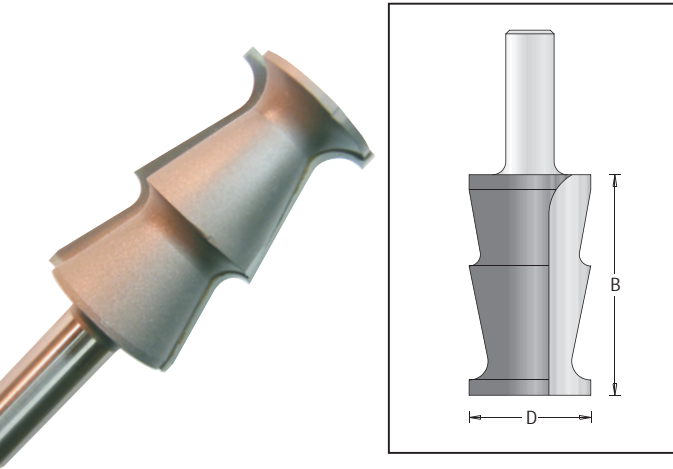


## Crown Moulding Bit, 2 Flutes



Tool no.	D	Shank	B	Length	Category
156R8-30	1 1/4"	1/2"	2 1/4"	3 3/4"	R