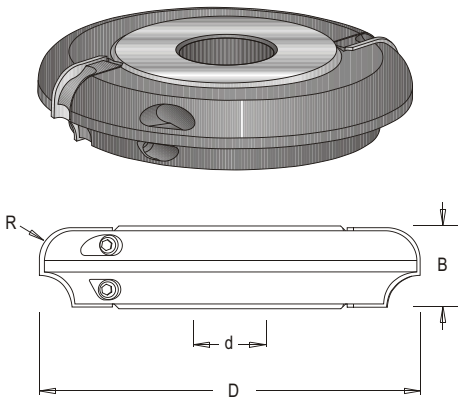


Corner Round / Cove Cutter

Wear resistant aluminum body, complete with replaceable solid tungsten carbide knives. Suitable for rounding over and producing matching corner round/cove joints in softwood, hardwood and man-made boards on a spindle moulder.



Tool no.	D	d	B	R	RPM	Category
K912C106-3	106mm	1 1/4"	20mm	3mm	7,300 - 10,100	CNC
K912C110-5	110mm	1 1/4"	20mm	5mm	7,000 - 9,000	CNC
K912C112-6	112mm	1 1/4"	20mm	6mm	6,900 - 9,700	CNC
K912C116-8	116mm	1 1/4"	20mm	8mm	6,600 - 9,500	CNC
K912C120-10	120mm	1 1/4"	25mm	10mm	6,400 - 10,000	CNC
K912C124-12	124mm	1 1/4"	30mm	12mm	6,200 - 9,800	CNC
K912C130-15	130mm	1 1/4"	35mm	15mm	5,900 - 9,500	CNC
K912C140-20	140mm	1 1/4"	50mm	20mm	5,500 - 9,000	CNC
K912C150-25	150mm	1 1/4"	60mm	25mm	5,100 - 6,000	CNC

Replacement Parts:



T.C. Blade



Wedge



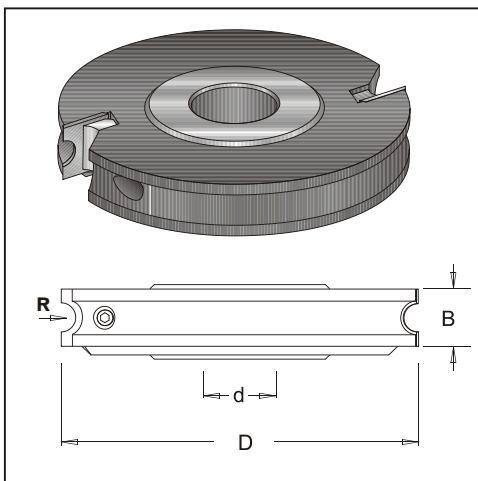
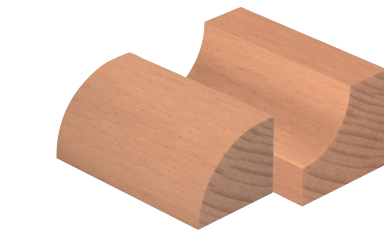
Allen Screw



Allen Key

R = 3mm	3108944	1990910	1930265	1940035
R = 5mm	31089461	1990910	1930265	1940035
R = 6mm	3108947	1990910	1930265	1940035
R = 8mm	3108949	1990910	1930265	1940035
R = 10mm	3108950	1990920	1930265	1940035
R = 12mm	3108952	1990925	1930265	1940035
R = 15mm	3108953	1990930	1930265	1940035
R = 20mm	3108954	1990940	1930265	1940035
R = 25mm	3108955	1990950	1930265	1940035

Price per single knife.



Bull Nose Profile Cutter

Wear resistant aluminum body, complete with replaceable solid tungsten carbide knives. Suitable for producing various beads in softwood, hardwood and man-made boards on a spindle moulder.

Tool no.	D	d	B	R	RPM	Category
K129C125-3	125mm	1 1/4"	15mm	3mm	6,000 - 10,000	CNC
K129C125-4	125mm	1 1/4"	15mm	4mm	6,000 - 10,000	CNC
K129C125-5	125mm	1 1/4"	20mm	5mm	6,000 - 10,000	CNC
K129C125-6	125mm	1 1/4"	20mm	6mm	6,000 - 10,000	CNC
K129C125-8	125mm	1 1/4"	30mm	8mm	6,000 - 10,000	CNC
K129C125-10	125mm	1 1/4"	30mm	10mm	6,000 - 10,000	CNC
K129C125-12	125mm	1 1/4"	30mm	12mm	6,000 - 10,000	CNC
K129C125-15	125mm	1 1/4"	40mm	15mm	6,000 - 10,000	CNC
K129C135-20	135mm	1 1/4"	50mm	20mm	5,500 - 9,000	CNC

Replacement Parts:



T.C. Blade



Wedge



Allen Screw



Allen Key

R = 3mm	3124003	1990326	1930265	1940035
R = 4mm	3124004	1990326	1930265	1940035
R = 5mm	3124005	1990327	1930265	1940035
R = 6mm	3124006	1990327	1930265	1940035
R = 8mm	3124008	1990465	1930265	1940035
R = 10mm	3124010	1990465	1930265	1940035
R = 12mm	3124012	1990466	1930265	1940035
R = 15mm	3124015	1990461	1930265	1940035
R = 20mm	3124020	1990450	1930265	1940035

Price per single knife.

