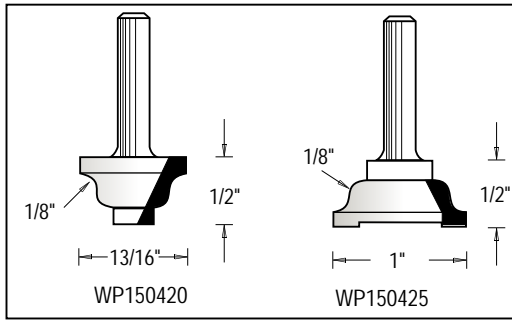


Cope and Stick

Cope and stick construction is a frame and panel technique often used in the making of doors, wainscoting, and other decorative features for cabinets, furniture and homes.

In cope and stick construction, all the parts of the frame are given a decorative profile on the edge to be jointed to the panel, and the horizontal parts are also given what is known as a cope cut across the end grain of the wood.

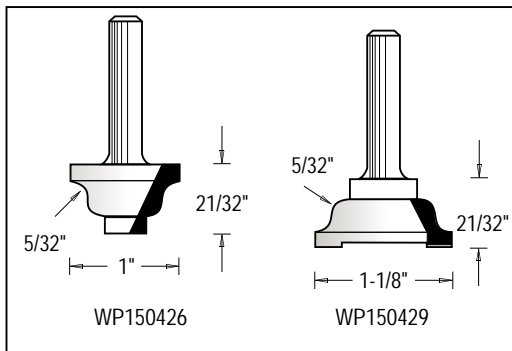


Cope & Stick Bits, 2 Piece Sets, 1/4" Shank, 3 Flutes

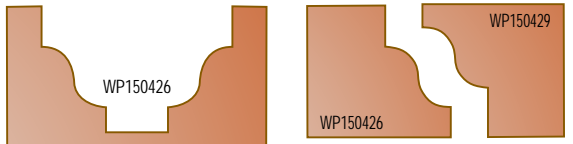


2 piece set!

Tool no.	D	Shank	B	R	Length	Category
WP150RA	Complete Set (2 Bits)					
WP150420	13/16"	1/4"	1/2"	1/8"	1 5/8"	WP
WP150425	1"	1/4"	1/2"	1/8"	1 5/8"	WP

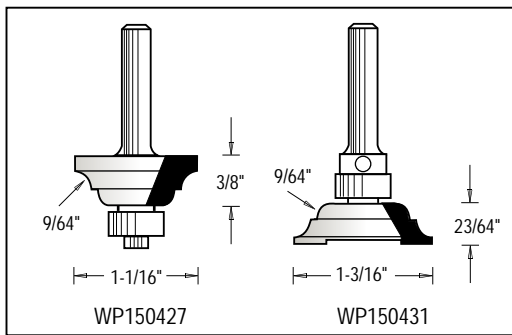


Cope & Stick Bits, 2 Piece Sets, 1/4" Shank, 3 Flutes

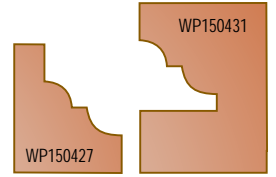


2 piece set!

Tool no.	D	Shank	B	R	Length	Category
WP150RB	Complete Set (2 Bits)					
WP150426	1"	1/4"	21/32"	5/32"	1 25/32"	WP
WP150429	1 1/8"	1/4"	21/32"	5/32"	1 25/32"	WP

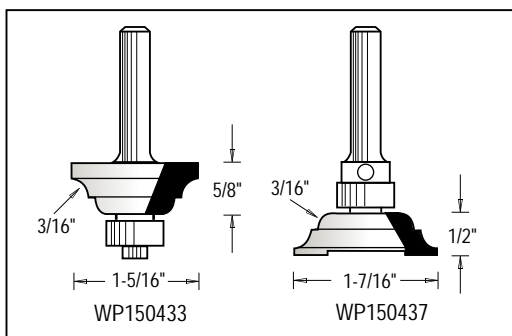


Cope & Stick Bits, 2 Piece Sets, 1/4" Shank, 3 Flutes

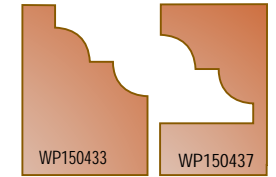


2 piece set!

Tool no.	D	Shank	B	R	Length	Category
WP150RC	Complete Set (2 Bits)					
WP150427	1 1/16"	1/4"	3/8"	9/64"	2"	WP
WP150431	1 3/16"	1/4"	23/64"	9/64"	2"	WP

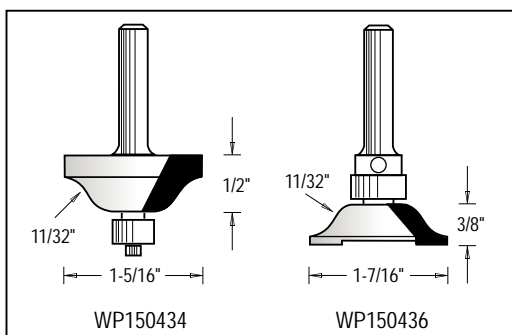


Cope & Stick Bits, 2 Piece Sets, 1/4" Shank, 3 Flutes

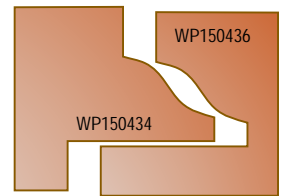


2 piece set!

Tool no.	D	Shank	B	R	Length	Category
WP150RD	Complete Set (2 Bits)					
WP150433	1 5/16"	1/4"	5/8"	3/16"	2"	WP
WP150437	1 7/16"	1/4"	15/32"	3/16"	2"	WP

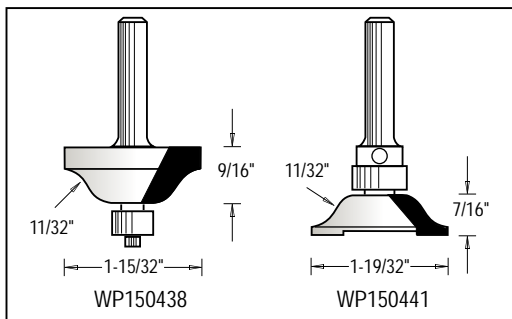


Cope & Stick Bits, 2 Piece Sets, 1/4" Shank, 3 Flutes

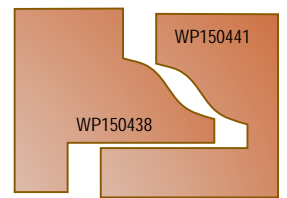


2 piece set!

Tool no.	D	Shank	B	R	Length	Category
WP150RE	Complete Set (2 Bits)					
WP150434	1 5/16"	1/4"	9/16"	11/32"	2 3/64"	WP
WP150436	1 7/16"	1/4"	13/32"	11/32"	2"	WP

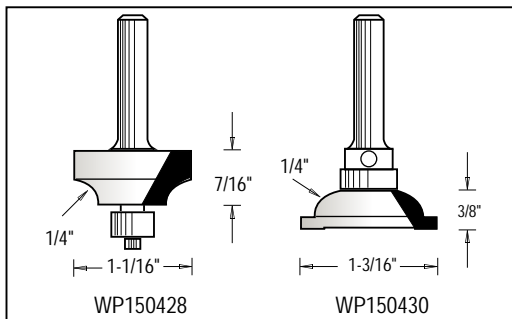


Cope & Stick Bits, 2 Piece Sets, 1/4" Shank, 3 Flutes

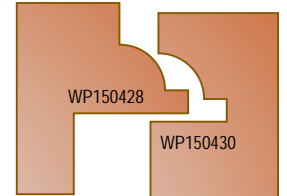


2 piece set!

Tool no.	D	Shank	B	R	Length	Category
WP150RF	Complete Set (2 Bits)					
WP150438	1 15/32"	1/4"	9/16"	11/32"	2 3/64"	WP
WP150441	1 19/32"	1/4"	7/16"	11/32"	2"	WP

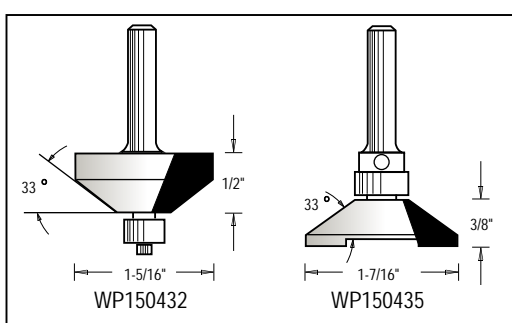


Cope & Stick Bits, 2 Piece Sets, 1/4" Shank, 3 Flutes

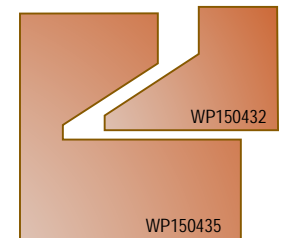


2 piece set!

Tool no.	D	Shank	B	R	Length	Category
WP150RG	Complete Set (2 Bits)					
WP150428	1 1/16"	1/4"	29/64"	15/64"	1 31/32"	WP
WP150430	1 3/16"	1/4"	23/64"	15/64"	1 57/64"	WP

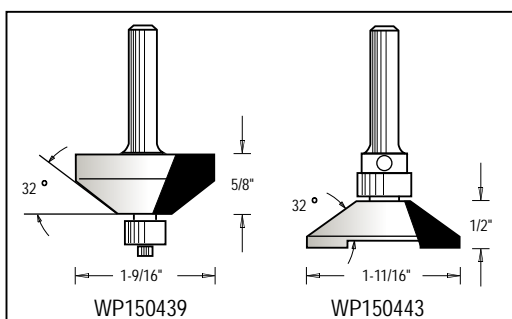


Cope & Stick Bits, 2 Piece Sets, 1/4" Shank, 3 Flutes

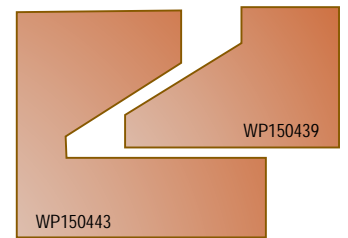


2 piece set!

Tool no.	D	Shank	B	a	Length	Category
WP150RH	Complete Set (2 Bits)					
WP150432	1 5/16"	1/4"	35/64"	33°	2"	WP
WP150435	1 7/16"	1/4"	25/64"	33°	1 31/32"	WP



Cope & Stick Bits, 2 Piece Sets, 1/4" Shank, 3 Flutes



2 piece set!

Tool no.	D	Shank	B	a	Length	Category
WP150RI	Complete Set (2 Bits)					
WP150439	1 9/16"	1/4"	43/64"	32°	2 11/64"	WP
WP150443	1 11/16"	1/4"	31/16"	32°	1 31/32"	WP