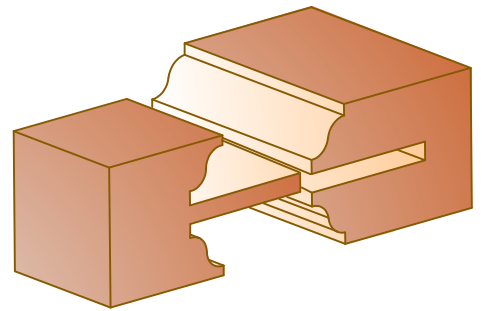
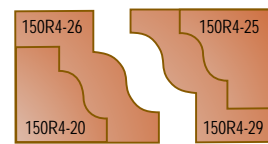
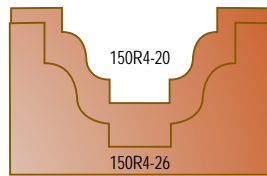
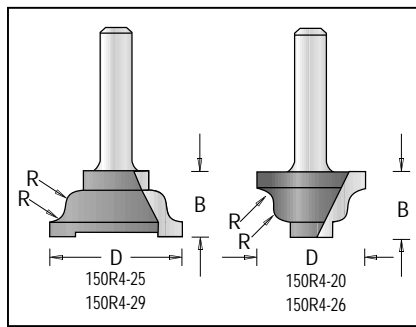


Cope and Stick, Rail & Stile

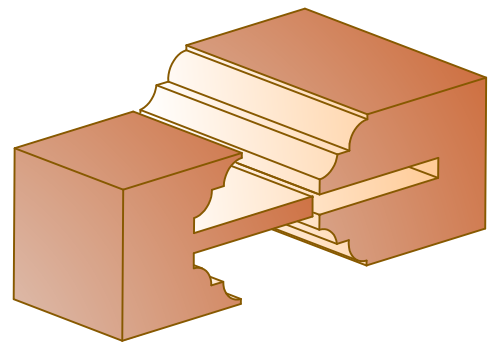
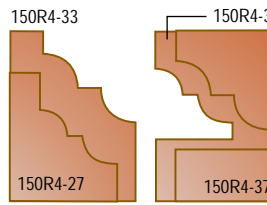
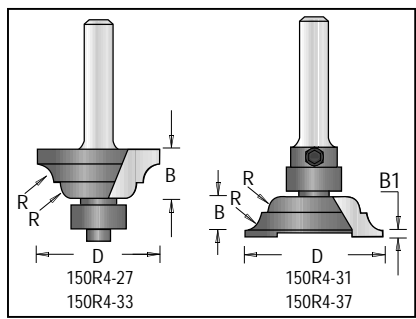
Cope and stick construction is a frame and panel technique often used in the making of doors, wainscoting, and other decorative features for cabinets, furniture and homes.

In cope and stick construction, all the parts of the frame are given a decorative profile on the edge to be jointed to the panel, and the horizontal parts are also given what is known as a cope cut across the end grain of the wood.

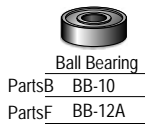
Rail & Stile Bits, 2 Piece Sets, 1/4" Shank, 2 Flutes



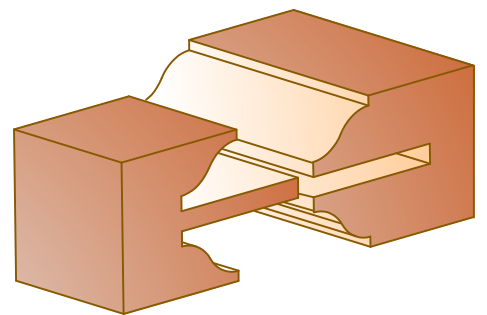
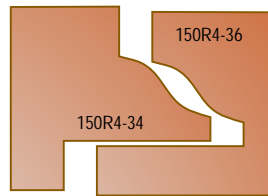
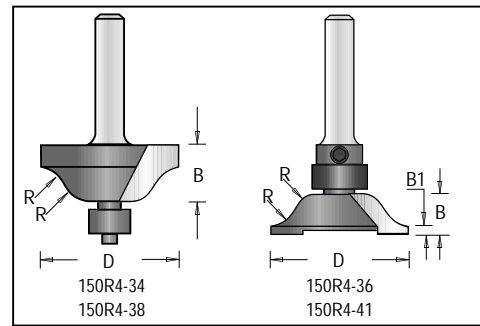
Tool no.	D	Shank	B	R	Length	Category
150R4-20	13/16"	1/4"	1/2"	1/8"	1 5/8"	R
150R4-25	1"	1/4"	1/2"	1/8"	1 5/8"	R
150R4-26	1"	1/4"	21/32"	5/32"	1 25/32"	R
150R4-29	1 1/8"	1/4"	21/32"	5/32"	1 25/32"	R



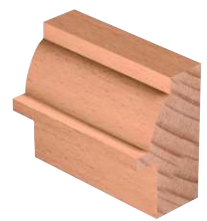
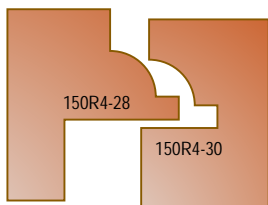
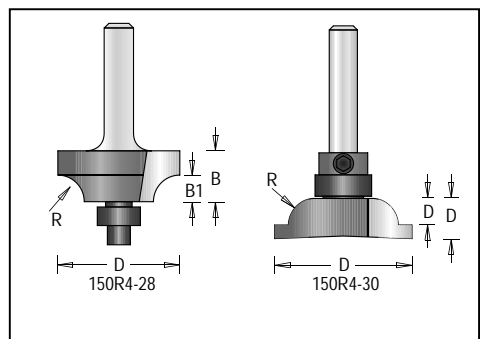
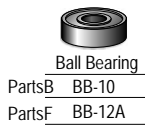
Tool no.	D	Shank	B	B1	R	Length	Parts	Category
150R4-27	1 5/64"	1/4"	3/8"		9/64"	2"	B	R
150R4-31	1 13/64"	1/4"	23/64"	5/64"	9/64"	2"	F	R
150R4-33	1 5/16"	1/4"	5/8"		1 1/64"	2"	B	R
150R4-37	1 7/16"	1/4"	15/32"	1/8"	1 1/64"	2"	F	R



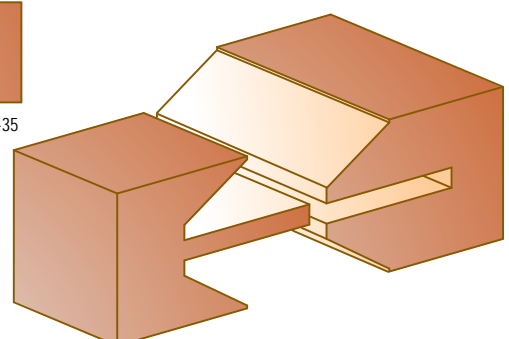
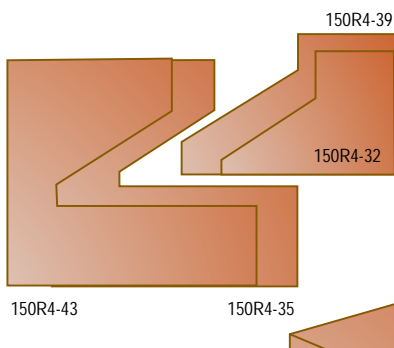
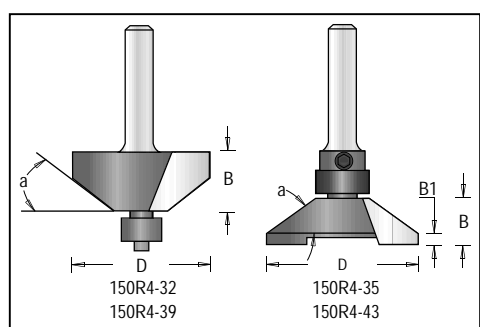
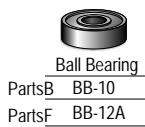
Rail & Stile Bits, 2 Piece Sets, 1/4" Shank, 2 Flutes



Tool no.	D	Shank	B	B1	R	Length	Parts	Category
150R4-34	1 5/16"	1/4"	35/64"		21/64"	2 3/64"	B	R
150R4-36	1 7/16"	1/4"	25/64"	5/64"	21/64"	2"	F	R
150R4-38	1 15/32"	1/4"	35/64"		21/64"	2 3/64"	B	R
150R4-41	1 39/64"	1/4"	7/16"	1/8"	21/64"	2"	F	R



Tool no.	D	Shank	B	B1	R	Length	Parts	Category
150R4-28	1 5/64"	1/4"	29/64"	15/64"	15/64"	1 31/32"	B	R
150R4-30	1 13/64"	1/4"	23/64"	15/64"	15/64"	1 57/64"	F	R



Tool no.	D	Shank	B	B1	a	Length	Parts	Category
150R4-32	1 5/64"	1/4"	35/64"		33°		B	R
150R4-35	1 7/16"	1/4"	25/64"	5/64"	33°	1 31/32"	F	R
150R4-39	1 9/16"	1/4"	43/64"		32°	2 11/64"	B	R
150R4-43	1 11/16"	1/4"	31/16"	1/8"	32°	1 31/32"	F	R

