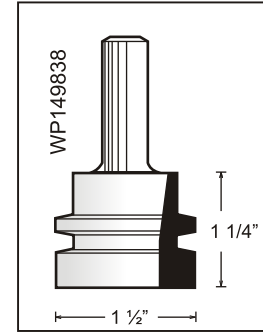
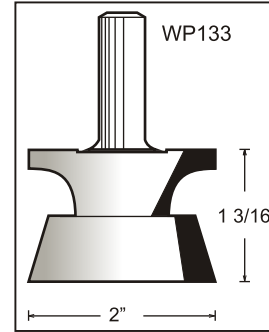
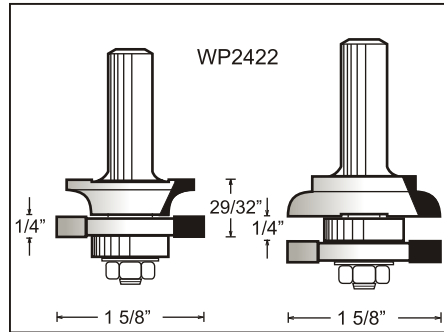
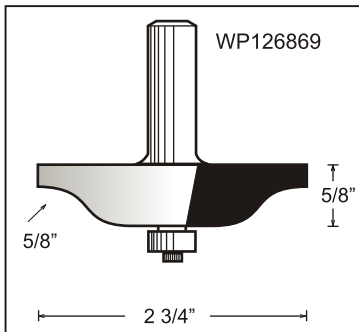




5 Piece Cabinet Door Set in Wooden Box, 2 Flutes

Tool no.	D	Shank	B	Length	Category
WP-SET-5A					WP
consists of:					
WP2422	1 5/8"	1/2"	29/32"	2 29/32"	WP
WP126869	2 3/4"	1/2"	5/8"	2 7/8"	WP
WP133	2"	1/2"	1 3/16"	2 3/4"	WP
WP149838	1 1/2"	1/2"	1 1/4"	2 3/4"	WP



- Full size carbide tips for better chip ejection
- Thick carbide (2.2mm) for 10,15 sharpenings
- CNC machined hardened body for vibration free operation
- Precise match of body to carbide contour for better edge support
- Anti kick-back body design for safe and easy feed while protecting your motor
- Attractive box to protect your router bits
- Economically priced to fit your budget