

Biscuit/Grooving Cutter - Insert Tooling

Replaceable and Reversible Insert Carbide Teeth are an economical and innovative way to accurately groove your biscuit joints as well as cutting grooves for various joints such as picture frames, doors, working plates, etc.

Tool no.	Diameter	Kerf	Bore	Teeth	Category
K1004	100mm	3.97mm	22mm	4+4	C

Replacement Parts:



Carbide Knife
3008501
18x18x2



Carbide Scorer
3008502
14x14x1.2



Nut for Carbide Knife
1923500
M4x0.5x11



Nut for Carbide Scorer
1923600
M4x0.5x9.9



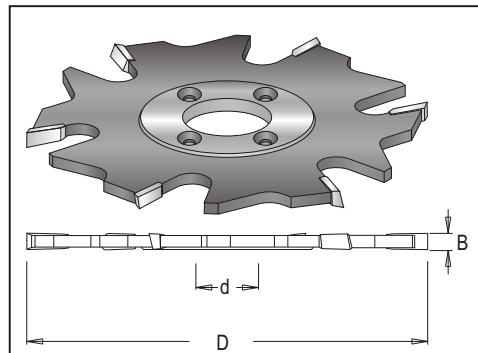
Screw
1930280
M4x3.2



Key
1941100
T9

Price per single knife.

Assembled with 4 scorers, 4 knives, 4 nuts for scorer, 4 nuts for knife, 8 screws.



Biscuit Joiner Blades - Chip Limitation Design

Dimar's Premium Quality Cutter Blades are designed specifically for Biscuit Joining. They are compatible and fit most Biscuit cutter machines such as: Lamello, Porter-Cable, Virutex, Freud, Kaiser, Elu, & more.

Tool no.	Diameter	Kerf	Bore	Teeth	Category
100PJ	100mm	3.97mm	22mm	2+4*	C

* 100PJ 2 teeth with positive angle & 4 teeth with negative angle.

Max RPM 18,000