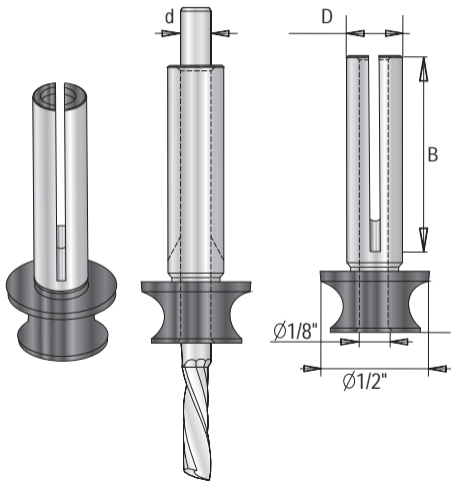


## Adapter for Solid Carbide Spiral Bits



A unique adapter specifically designed to accept 1/8" diameter solid carbide spiral bits. The easy-grip adapter will ensure that bits are fixed firmly and properly inserted into the collet. We recommend that you opt for a "unified" shank and cutting diameter as this will ensure optimum strength during the routing operation. All DIMAR solid carbide bits for Plastic & Aluminum feature a unified shank & cutting diameter.

Tool no.	d	D	B	Length	Category
1927124	1/8"	1/4"	7/8"	1 1/4"	SC