

Router Bits

Rail & Stile - Raised Panel Door Set, 3 Pcs

Premium industrial quality, suitable for working in natural woods and man made materials (MDF). Unique cutting angles and chip limiter body ensures safe, clean and easy routing operation. Produce beautiful raised panel doors with this 3 piece combination set of two Rail & Stile bits and one raised panel bit. The two Rail & Stile bits produce perfect fitting door frames and do not need adjustment or set up. Used with 3/4" to 1" thick wood. Attractive aluminum case will keep your bits safe and clean.

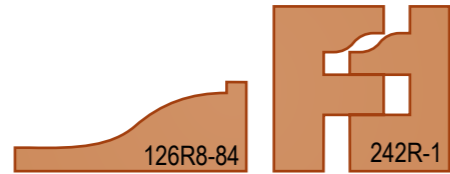
Tool no	Description	Dia.	Shank	B	R	Length
242R-167A	3 Piece Router Bit Set		1/2"			
set consists of:						
126R8-67	Ogee Fillet Raised Panel	2 5/8"	1/2"	11/16"	3/4"	2 9/16"
242R-1	2 piece Rail & Stile	1 5/8"	1/2"	1/4"		3 1/8"



*Complete Set in Aluminum Case



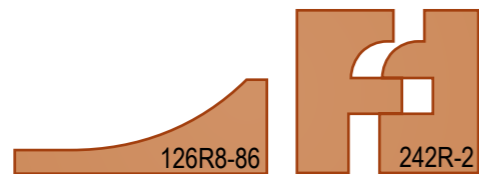
Tool no	Description	Dia.	Shank	B	R	Length
242R-184A	3 Piece Router Bit Set		1/2"			
set consists of:						
126R8-84	Ogee Fillet Raised Panel	3 3/8"	1/2"	5/8"	7/8"	2 1/2"
242R-1	2 piece Rail & Stile	1 5/8"	1/2"	1/4"		3 1/8"



*Complete Set in Aluminum Case



Tool no	Description	Dia.	Shank	B	R	Length
242R-286A	3 Piece Router Bit Set		1/2"			
set consists of:						
126R8-86	Cove Raised Panel	3 3/8"	1/2"	1/2"	1 9/16"	2 3/8"
242R-2	2 piece Rail & Stile	1 5/8"	1/2"	1/4"		3 3/8"



*Complete Set in Aluminum Case

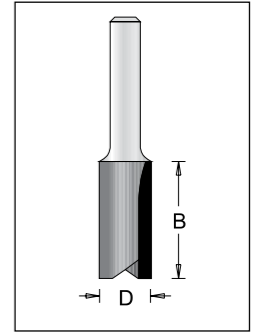


Router Bits

WoodPecker

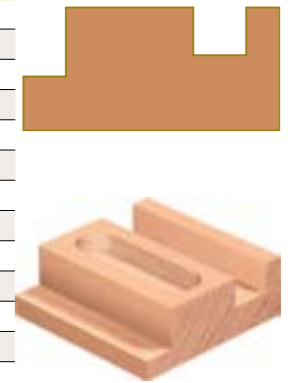
Straight Bits 1/4" Shank, 2 Flutes

Tool no	Dia.	Shank	B	Length
W70	3/16"	1/4"	1/2"	1 7/8"
W71	1/4"	1/4"	3/4"	2"
W72	5/16"	1/4"	3/4"	2"
W72A	3/8"	1/4"	3/4"	2"
W73	1/2"	1/4"	3/4"	2"
W74	9/16"	1/4"	3/4"	2"
W75	5/8"	1/4"	3/4"	2"
W79	3/4"	1/4"	3/4"	2"



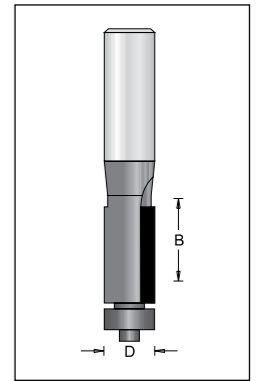
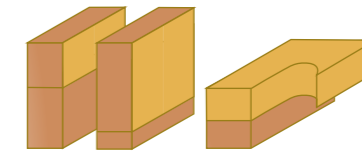
Straight Bits 1/2" Shank, 2 Flutes

Tool no	Dia.	Shank	B	Length
WP107L86	1/4"	1/2"	3/4"	2 1/2"
WP107S86	1/4"	1/2"	1"	2 5/8"
WP10788	5/16"	1/2"	3/4"	2 1/2"
WP107L88	5/16"	1/2"	1"	2 3/4"
WP107810	3/8"	1/2"	3/4"	2 3/4"
WP107L810	3/8"	1/2"	1"	2 3/4"
WP107S810	3/8"	1/2"	1 1/4"	2 3/4"
WP107812	1/2"	1/2"	1"	2 5/8"
WP107L812	1/2"	1/2"	1 1/4"	2 7/8"
WP107S812	1/2"	1/2"	1 1/2"	3"
WP107816	5/8"	1/2"	1"	2 5/8"
WP107L816	5/8"	1/2"	1 1/4"	2 7/8"
WP107819	3/4"	1/2"	1"	2 5/8"
WP107L819	3/4"	1/2"	1 1/4"	2 7/8"
WP107S819	3/4"	1/2"	1 1/2"	3"
WP107825	1"	1/2"	1"	2 5/8"
WP107L825	1"	1/2"	1 1/4"	2 7/8"
WP107S825	1"	1/2"	1 1/2"	3"



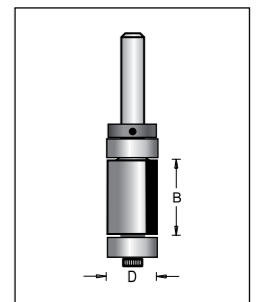
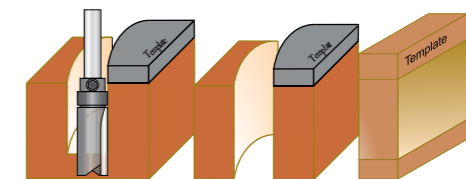
Flush Trim Bits with Ball Bearing Guide, 1/4" & 1/2" shank, 2 Flutes

Tool no	Dia.	Shank	B	Length
W01A	3/8"	1/4"	1/2"	2 1/8"
W01	1/2"	1/4"	1/2"	2 1/8"
WP101821	1/2"	1/2"	1"	3"
WP101823	1/2"	1/2"	1 1/2"	3 5/8"
WP101824	1/2"	1/2"	2"	3 5/8"



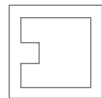
Template Bit, Double Ball Bearing Guide, 1/4" and 1/2" Shank, 2 Flutes

Tool no	Dia.	Shank	B	Length
WP101CD412	1/2"	1/4"	5/8"	2 5/8"
WP101CD819	3/4"	1/2"	1 1/4"	3 5/8"

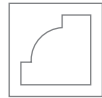


Router Bits

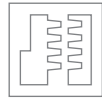
Router Bits



Grooving & Sizing



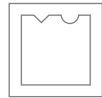
Profiling & Chamfering



Jointing & Rebating



Door Frame & Panel



Carving



WoodPecker



Grooving & Sizing



Profiling & Chamfering



Jointing & Rebating



Door Frame & Panel



Carving

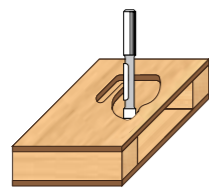
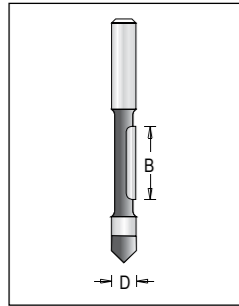


WoodPecker

Router Bits

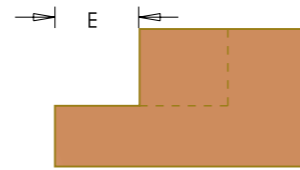
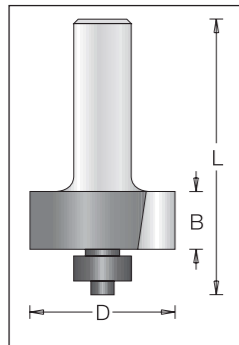
WoodPecker

Panel Pilot with Drilling Point, 1/2" Shank, 1 Flute



Tool no	Dia.	Shank	B	Length
WP115812SF	1/2"	1/2"	1 1/8"	3 9/16"

Rabbeting Bits With 1/2" & 3/8" Ball Bearing Guide, 2 Flutes



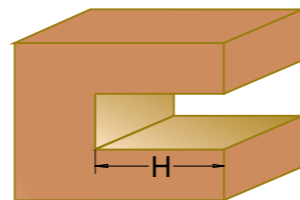
Tool no	Dia.	Shank	B	E	Length
W114	1 1/8"	1/4"	1/2"	3/8"	2 1/8"
WP114832	1 1/4"	1/2"	1/2"	3/8"	2 3/8"
WP114838	1 1/2"	1/2"	1/2"	1/2"	2 3/8"

Rabbeting Cutter Sets, 2 Flutes

7 different Rabbets

Tool no	Dia.	Shank	B	Length
WP1187	consists of:			
WP114838	1 1/2"	1/2"	1/2"	9/16"
BB-12A Ball Bearing	1/2"	1/4"		1/2"
BB-16 Ball Bearing	5/8"	1/4"		7/16"
BB-19 Ball Bearing	3/4"	1/4"		3/8"
BB-22B Ball Bearing	7/8"	1/4"		5/16"
BB-26A Ball Bearing	1"	1/4"		1/4"
BB-32B Ball Bearing	1 1/4"	1/4"		1/8"

4-Wing Slotting Cutter without Bearing



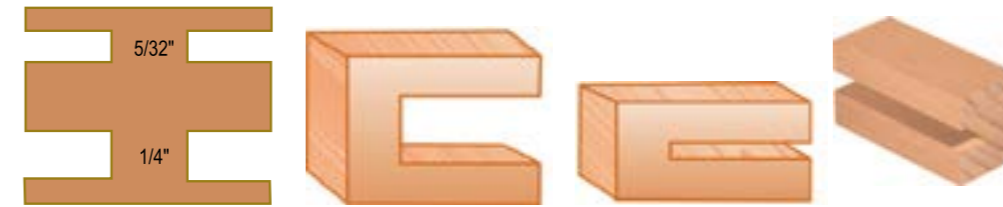
Tool no	Dia.	Shank	B	H	Length
WP8116	1 1/16"	1/2"	1/16"	3/16"	1 9/16"
WP8564	1 1/16"	1/2"	5/64"	3/16"	1 19/32"
WP8332	1 1/16"	1/2"	3/32"	3/16"	1 39/64"
T10-108	31.5mm	1/4"	2.5mm	11/32"	1 5/8"
T12-108	31.5mm	1/2"	3.0mm	11/32"	1 5/8"
T16-108	31.5mm	1/2"	4.0mm	11/32"	1 5/8"

Router Bits

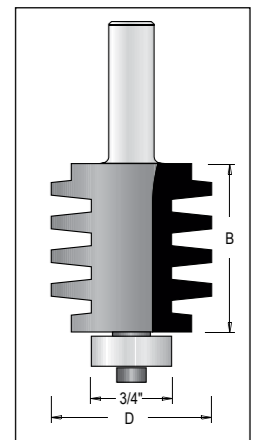
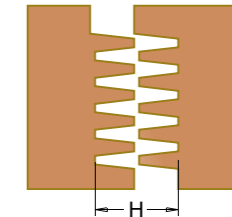
WoodPecker

Slotting Cutters, 3 Flutes

Tool no	Dia.	Bore	Kerf
W84	1 7/8"	5/16"	5/32"
W86	1 7/8"	5/16"	1/4"



Finger Joints Router Bit, 2 Flute



Tool no	Dia.	Shank	B	H	Length
WPFJ3	1-1/2"	1/2"	1-9/16"	3/8"	3 9/16"
WPFJ5	1-3/4"	1/2"	1-9/16"	1/2"	3 9/16"

Slot Cutter Set in Wooden Box, 3 Flutes

Tool no	Dia.	Shank	B	Quantity
WP-QUAD	consists of:			
Slot Cutter	1-7/8"	5/16"	1/8"	1
Slot Cutter	1-7/8"	5/16"	5/32"	1
Slot Cutter	1-7/8"	5/16"	3/16"	1
Slot Cutter	1-7/8"	5/16"	1/4"	3
BB-22 Ball Bearing	7/8"	8mm	7mm	1
Ball Bearing	1"	8mm	1/4"	1
BB-28B Ball Bearing	1-1/8"	8mm	1/4"	1
Ball Bearing	1-3/8"	8mm	1/4"	1
1/2" Arbor	1/2"	1/2"		1
1/2" Arbor	1/2"	1/2"		1



Router Bits

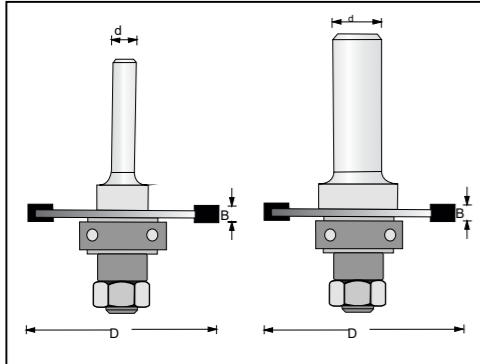
Router Bits



Router Bits

WoodPecker

Biscuit Joiner Set - 6 piece Set



This set is designed to cut slots in wood for biscuit joints, using your Router. By replacing the bearing, you can achieve 3 depths to accommodate the common wood biscuit sizes.
- Economical: No need to buy a Biscuit cutter machine.

Tool no	Description
WBJ	Biscuit Joiner Set for #0, #10, #20 wood biscuits, 1/4" shank & 1/2" shank

Replacement Parts:

- 108R-4 1/4" Arbor included
- 108R-12 1/2" Arbor included
- W84 5/32" kerf, 3 wing slotting cutter, 1-7/8" Dia.
- BB-22 5/16" x 7/8" ball bearing
- BB-28M 5/16" x 1-1/8" (28mm) ball bearing
- BB-31 5/16" x 1-7/32" (31mm) ball bearing



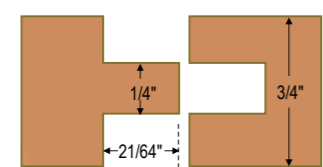
Wood biscuits, #0, #10, #20



Tongue and Groove Set, 2 Piece, 1/2" Shank, 4 Flutes



Tool no	Set Includes:
WP143	W864 1/4" Cutter



Replacement Parts:

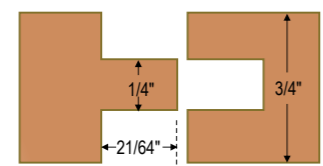
- Cutter Width 1/4" W864 41mm
- Ball Bearing BB-24M 24mm

- 4 Cutting edges for smoother, cleaner surface.
- High quality carbide for longer edge life

Tongue and Groove Set, 1 Piece, 1/2" Shank, 4 Flutes



Tool no	Dia.	Shank	B	Length
WP143840	1 39/64"	1/2"	3/4"	3 13/16"



Replacement Parts:

- Cutter Width 1/4" W864 41mm
- Ball Bearing BB-24M 24mm

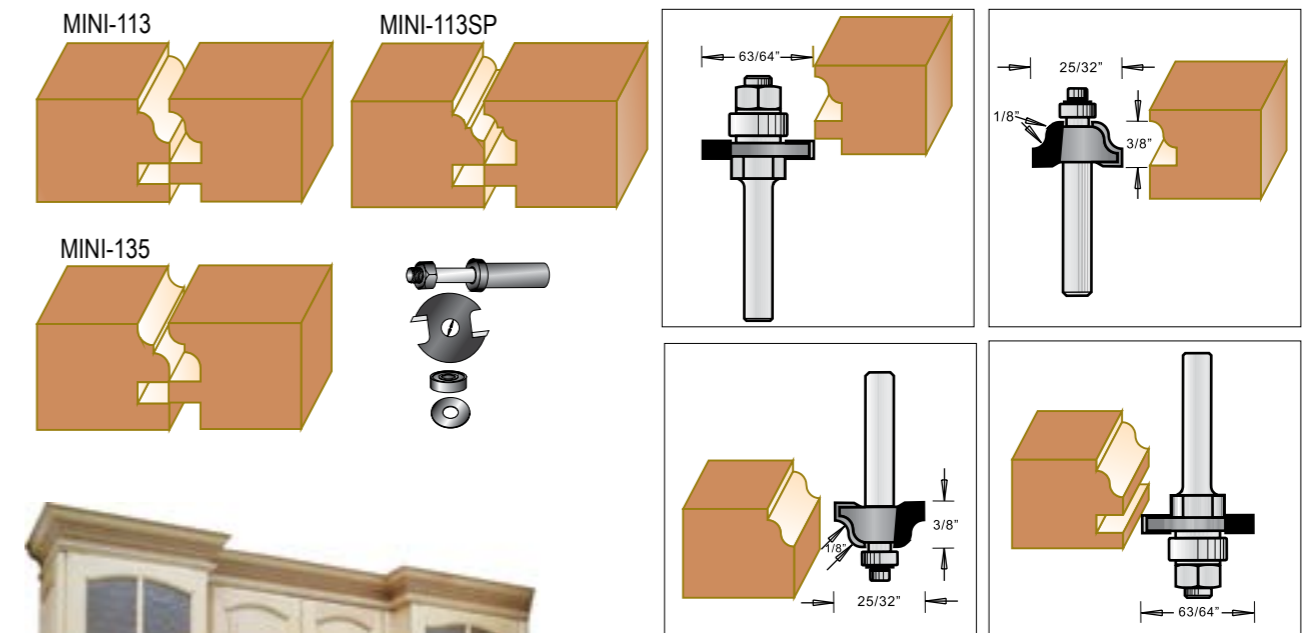
Router Bits

WoodPecker

Divided Light Door Router Bit Set for Stylish Glass Panes, 2 Flutes

- Build stunning glass doors with classic style for glass panes.
- Each set includes 3 different elegant profiles to produce perfectly matched Rail & Stile and Muntins.
- Adaptable groove thickness: the groove will accommodate glass thicknesses of 2mm, 3mm, 4mm, 5mm, 6mm.
- Versatile wood thickness: recommended wood thickness is 3/4", however, the set will work well for woods 5/8" to 1" thick.
- The bits cut all composition materials...plywood, hardwoods and softwoods.
- Each set contains three actual woodcuts of the included profile, so you may decide which profile suits your design beforehand.
- Use on table mounted portable router machines.

Tool no	Description	Dia	Shank	B	Cutting Radius
GD-SET	Complete Set				
MINI-113	Roman Ogee	25/32"	1/4"	3/8"	1/8"
MINI-135	Classical Ogee	25/32"	1/4"	3/8"	1/8"
MINI-113SP	Classical	25/32"	1/4"	3/8"	7/64"
MINI-ARB	Arbor	6mm	1/4"	21x32	
MINI-1082	Slot Cutter Blade	25mm	Bore 6mm	2.0mm	
MINI-1083	Slot Cutter Blade	25mm	Bore 6mm	3.0mm	
MINI-1084	Slot Cutter Blade	25mm	Bore 6mm	4.0mm	
BB-13M	Bearing	13x6mm		5.0mm	
MINI-1MM	Spacers 6 pcs	10x6.1		1.0mm	
MINI-N	Nut	M6			



Router Bits

Router Bits



Grooving & Sizing



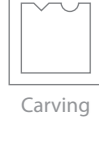
Profiling & Chamfering



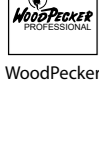
Jointing & Rebating



Door Frame & Panel



Carving



WoodPecker



Grooving & Sizing



Profiling & Chamfering



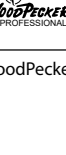
Jointing & Rebating



Door Frame & Panel



Carving

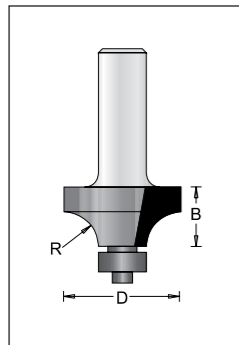


WoodPecker

Router Bits

WoodPecker

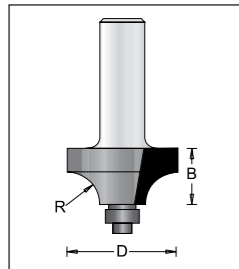
Rounding Over Bits, 2 Flutes, with 1/2" Ball Bearing



Tool no	Dia.	Shank	B	R	Length
W90	3/4"	1/4"	13/32"	1/8"	2 1/8"
W91	1"	1/4"	17/32"	1/4"	2 3/16"
W91A	1 1/8"	1/4"	5/8"	5/16"	2 1/4"
W92	1 1/4"	1/4"	21/32"	3/8"	2 5/16"
W93	1 1/2"	1/4"	3/4"	1/2"	2 7/16"
WP10983	3/4"	1/2"	13/32"	1/8"	2 5/16"
WP10986	1"	1/2"	17/32"	1/4"	2 9/16"
WP10988	1 1/8"	1/2"	5/8"	5/16"	2 11/16"
WP109810	1 1/4"	1/2"	21/32"	3/8"	2 11/16"
WP109812	1 1/2"	1/2"	3/4"	1/2"	2 13/16"
WP109816	1 3/4"	1/2"	7/8"	5/8"	2 15/16"
WP109819	2"	1/2"	1"	3/4"	3 1/16"
WP109825	2 1/2"	1/2"	1 1/4"	1"	3 5/16"

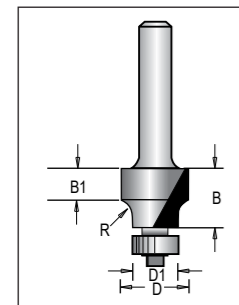


Beading Bits, 2 Flutes, with 3/8" Ball Bearing

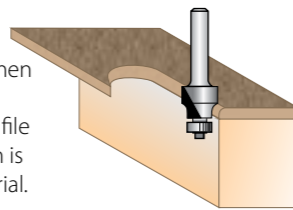


Tool no	Dia.	Shank	B	R	Length
W90S	3/4"	1/4"	13/32"	1/8"	2 1/8"
W91S	1"	1/4"	17/32"	1/4"	2 3/16"
W91AS	1 1/8"	1/4"	5/8"	5/16"	2 1/4"
W92S	1 1/4"	1/4"	21/32"	3/8"	2 5/16"

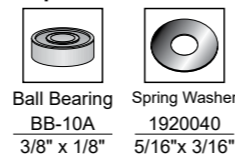
X-File Bits with Ball Bearing Guide, 2 Flutes



These innovative carbide tipped bits are real time savers. The usual sharp edge created when trimming cut of laminated materials are no longer a concern. There is no need to further file the edge of laminated woods. The lamination is always trimmed flush with the backing material.

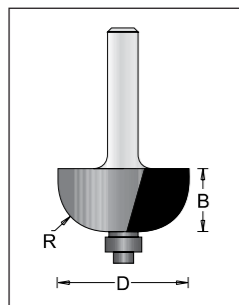


Replacement Parts:

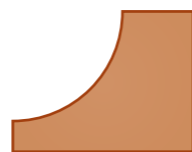


Tool no	Dia.	D1	Shank	B	B1	R	Length
109R4-1.5X	1/2"	3/8"	1/4"	3/8"	3/16"	.059" (1.5mm)	1 7/8"
109R8-1.5X	1/2"	3/8"	1/2"	3/8"	3/16"	.059" (1.5mm)	2 1/8"

Cove Bits with Ball Bearing Guide, 2 Flutes



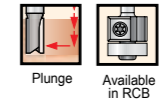
Tool no	Dia.	Shank	B	R	Length
W112	7/8"	1/4"	1/2"	1/4"	2 1/8"
W112A	1 1/8"	1/4"	3/8"	3/8"	2 1/16"
WP112810	1 1/8"	1/2"	1/2"	3/8"	2 1/2"
WP112812	1 1/4"	1/2"	5/8"	1/2"	2 11/16"



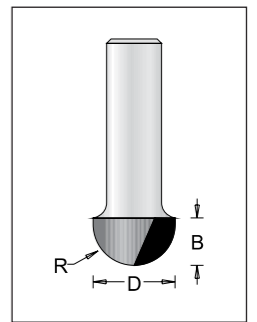
Router Bits

WoodPecker

Core Box Bits (Round Nose), 2 Flutes

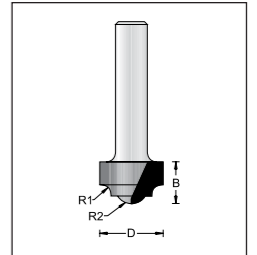


Tool no	Dia.	Shank	B	R	Length
W06A	1/4"	1/4"	1/4"	1/8"	1 1/2"
W06	1/2"	1/4"	25/64"	1/4"	1 1/2"
WP10685	3/8"	1/2"	3/8"	3/16"	2"
WP10686	1/2"	1/2"	3/8"	1/4"	2"
WP106810	3/4"	1/2"	1/2"	3/8"	2 1/8"
WP106812	1"	1/2"	5/8"	1/2"	2 1/4"



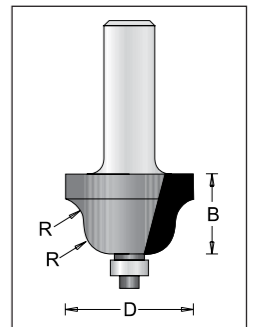
Classical Plunge Bit, 2 Flutes

Tool no	Dia.	Shank	B	R	Length
W27	1/2"	1/4"	3/8"	3/32"	1 21/32"



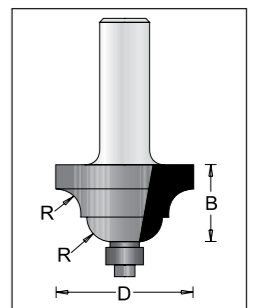
Roman Ogee Bits with Ball Bearing Guide, 2 Flutes

Tool no	Dia.	Shank	B	R	Length
W113	1"	1/4"	15/32"	5/32"	2 5/32"
WP11384	1"	1/2"	1/2"	5/32"	2 1/2"
WP11386	1 3/8"	1/2"	11/16"	1/4"	2 3/4"



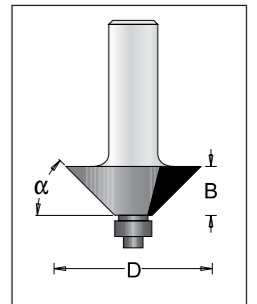
Classical Bits with Ball Bearing Guide, 2 Flutes

Tool no	Dia.	Shank	B	R	Length
WP113P84	1 3/16"	1/2"	1/2"	5/32"	2 11/16"
WP113P86	1 9/16"	1/2"	3/4"	1/4"	2 3/4"



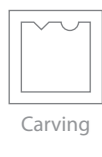
Bevel Trim Bit with Ball Bearing Guide, 1/4" & 1/2" shank, 2 Flutes

Tool no	Dia.	Shank	B	R	Length
W02A	5/8"	1/4"	1/4"	15	2 1/8"
W02	1 1/4"	1/4"	17/32"	45	1 7/8"
WP102845	1 1/4"	1/2"	1/2"	45	2 3/8"



Router Bits

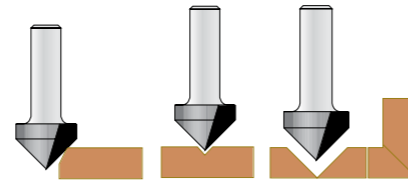
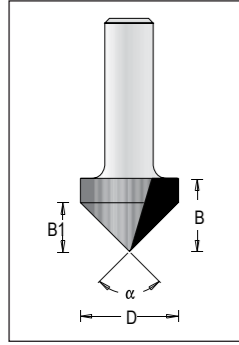
Router Bits



Router Bits

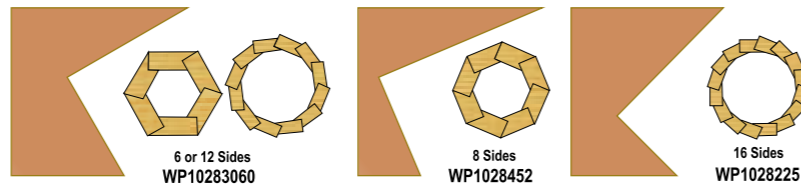
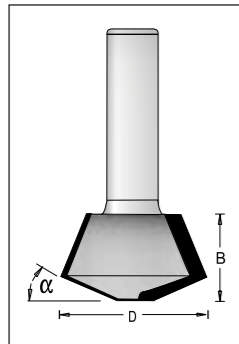
WoodPecker

"V" Grooving Bits, 2 Flutes



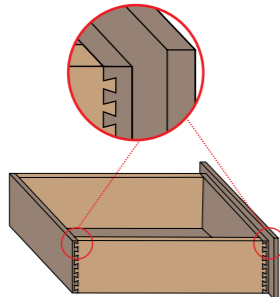
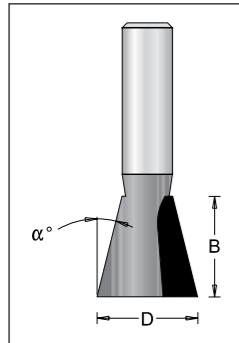
Tool no	Dia.	Shank	B	R	Length
W05A	3/8"	1/4"	3/8"	60	1 1/2"
W05	1/2"	1/4"	1/2"	90	1 3/4"
WP105812	1/2"	1/2"	1/2"	90	2 1/8"
WP105816	5/8"	1/2"	1/2"	90	2 1/8"
WP105819	3/4"	1/2"	5/8"	90	2 1/4"
WP105825	1"	1/2"	3/4"	90	2 3/8"

Joinery Bits, 1/2" shank, 2 Flutes



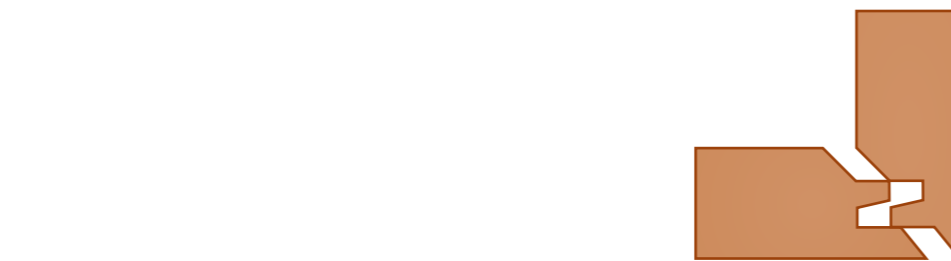
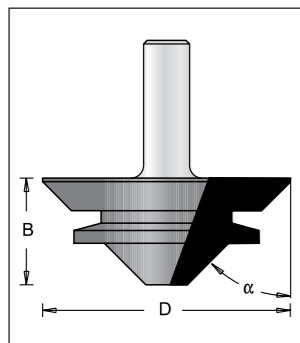
Tool no	Sides	Dia.	Shank	B	α	Length
WP10283060	6 or 12	1 5/8"	1/2"	7/8"	30-60	2 3/4"
WP1028452	8	1 1/2"	1/2"	7/8"	45	2 3/4"
WP1028225	16	1 1/2"	1/2"	7/8"	22.5	2 3/4"

Dovetail Bits, 2 Flutes



Tool no	Dia.	Shank	B	α	Length
W04	1/2"	1/4"	1/2"	14	1 3/4"
WP104812	1/2"	1/2"	1/2"	14	2 1/8"
WP1048197	3/4"	1/2"	7/8"	7	2 1/2"
WP104825	1"	1/2"	1"	14	2 1/2"

Miter Lock Bits, 2 Flutes

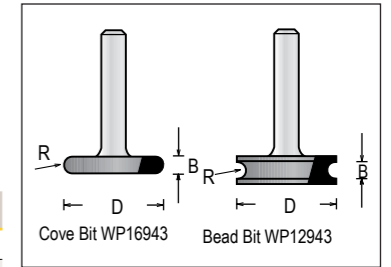
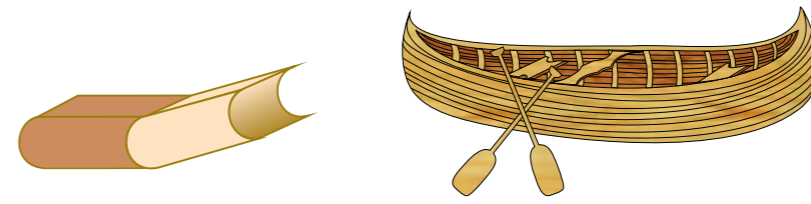


Tool no	Dia.	Shank	B	α	Length
WP149845	1 3/4"	1/2"	13/16"	45	2 1/4"

Router Bits

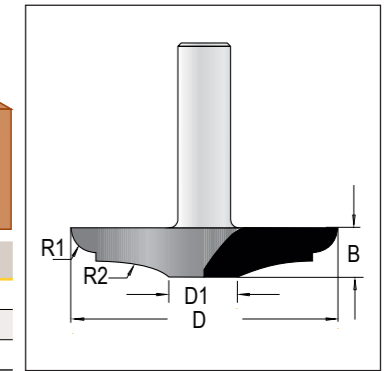
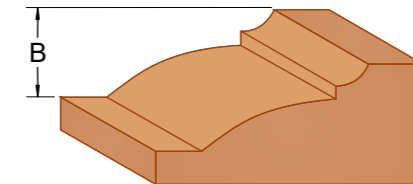
WoodPecker

Bead & Cove Canoe Bits, 1/4" Shank, 2 Flutes



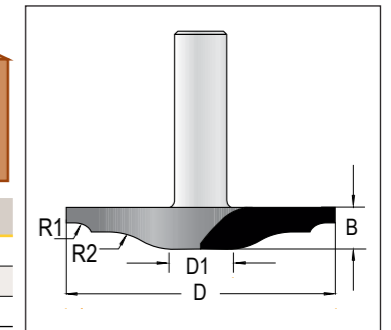
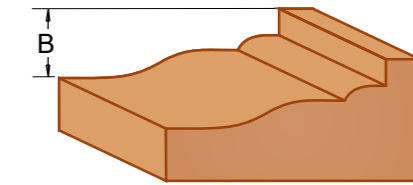
Tool no	Dia.	Shank	B	R	Length
WP-SET-CANOE					
WP16943	1 1/2"	1/4"	1/4"	1/8"	1 1/2"
WP12943	1 1/2"	1/4"	15/32"	1/8"	1 1/2"

Classical Plunge Bit



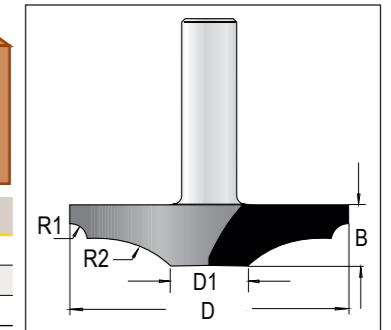
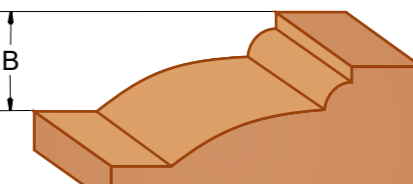
Tool no	Dia.	D1	Shank	B	R1	R2	Length
WP126A8	2 1/2"	25/32"	1/2"	7/16"	7/32"	2"	2 5/32"
WP126A9	2 7/8"	35/64"	1/2"	1/2"	1/4"	2 1/4"	2 1/2"
WP126A11	3 5/8"	5/8"	1/2"	9/16"	1/4"	3"	2 9/16"

Classical Plunge Bit



Tool no	Dia.	D1	Shank	B	R1	R2	Length
WP126C8	2 1/2"	15/32"	1/2"	5/16"	2 1/4"	3/16"	1/2"
WP126C9	3"	33/64"	1/2"	23/64"	2 9/16"	7/32"	3/4"
WP126C11	3 5/8"	5/8"	1/2"	13/32"	2 7/8"	1/4"	1 1/8"

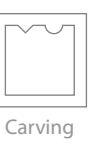
Classical Plunge Bit



Tool no	Dia.	D1	Shank	B	R1	R2	Length
WP126D6	2 1/2"	35/64"	1/2"	3/8"	2 1/4"	3/16"	1"
WP126D7	3"	35/64"	1/2"	27/64"	2 9/16"	1/4"	1 1/4"
WP126D8	3 1/2"	45/64"	1/2"	33/64"	2 5/8"	5/16"	1 1/2"

Router Bits

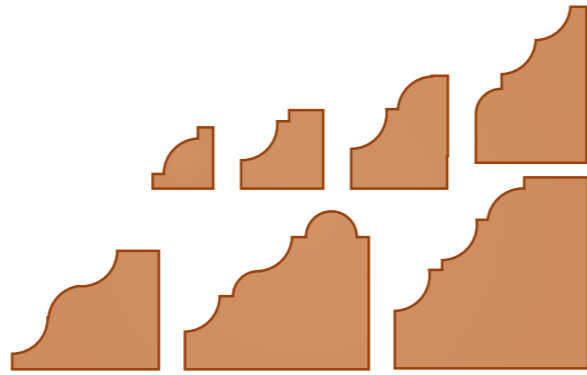
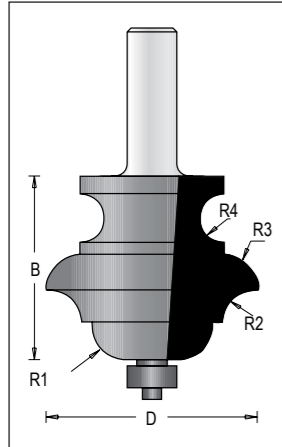
Router Bits



Router Bits

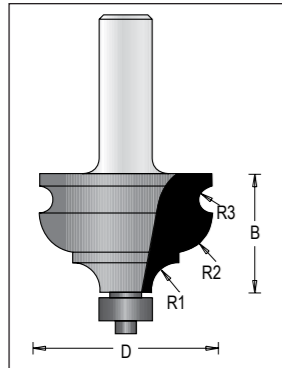
WoodPecker

Multiprofile Bit, 1/2" Shank, 2 Flutes



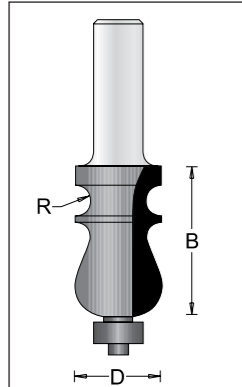
Tool no	Dia.	Shank	B	R1	R2	R3	Length
WP167854	2 1/4"	1/2"	1 7/8"	3/8"	11/32"	11/32"	4"

Moulding Bit, 1/2" Shank, 2 Flutes



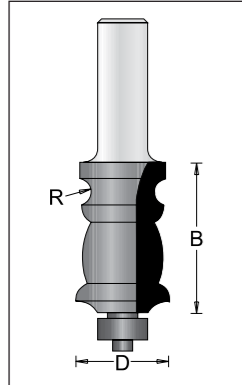
Tool no	Dia.	Shank	B	R1	R2	R3	Length
WP167842	1 3/4"	1/2"	1 1/8"	1/4"	3/8"	1/8"	3 7/64"

Fancy Moulding Bit, 2 Flutes



Tool no	Dia.	Shank	B	Length
WP156822	7/8"	1/2"	1 5/8"	3 9/16"

Fancy Moulding Bit, 2 Flutes

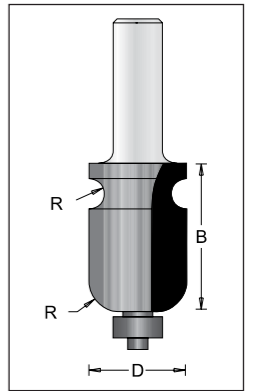


Tool no	Dia.	Shank	B	Length
WP156825	1"	1/2"	1 3/8"	3 3/8"

Router Bits

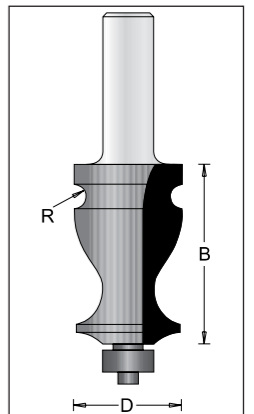
WoodPecker

Fancy Moulding Bit, 2 Flutes



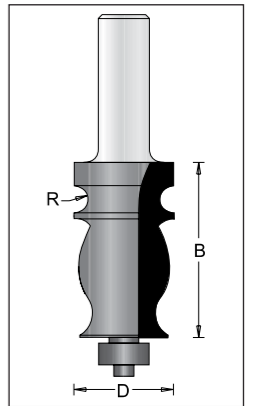
Tool no	Dia.	Shank	B	Length
WP156826	7/8"	1/2"	1 5/8"	3 9/16"

Fancy Moulding Bit, 2 Flutes



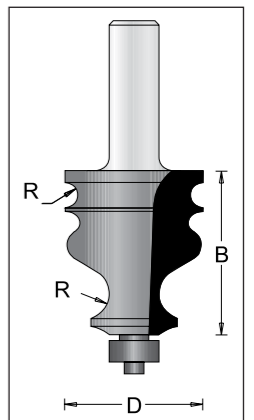
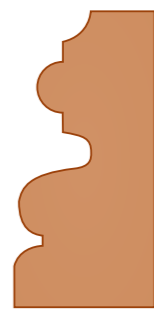
Tool no	Dia.	Shank	B	Length
WP156827	1 1/8"	1/2"	1 5/8"	3 1/2"

Fancy Moulding Bit, 2 Flutes



Tool no	Dia.	Shank	B	Length
WP156828	1"	1/2"	1 5/8"	3 9/16"

Edge Forming Bit, 2 Flutes



Tool no	Dia.	Shank	B	Length
WP156851	1 1/2"	1/2"	1 1/2"	3 7/16"

Router Bits

Router Bits



Grooving & Sizing



Profiling & Chamfering



Jointing & Rebating



Door Frame & Panel



Carving



WoodPecker



Grooving & Sizing



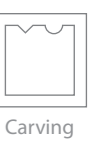
Profiling & Chamfering



Jointing & Rebating



Door Frame & Panel



Carving



WoodPecker

Router Bits

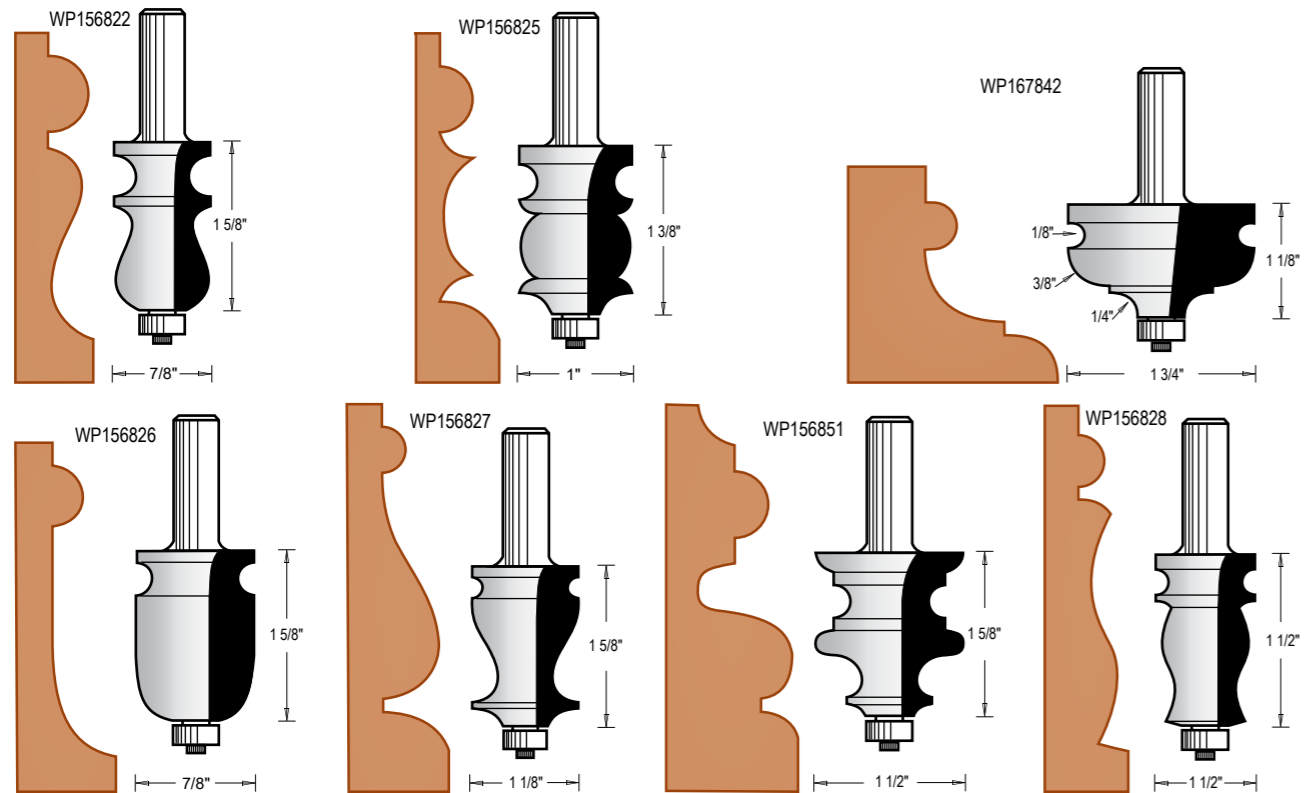
WoodPecker

7 Piece Moulding Set in Wooden Box, 2 Flutes



Tool no	Dia.	Shank	B	Length
WP-SET-M7				
consists of:				
WP156826	7/8"	1/2"	1-5/8"	3-9/16"
WP156822	7/8"	1/2"	1-5/8"	3-9/16"
WP156825	1"	1/2"	1-3/8"	3-3/8"
WP156827	1-1/8"	1/2"	1-5/8"	3-17/32"
WP156828	1"	1/2"	1-5/8"	3-9/16"
WP156851	1-1/2"	1/2"	1-1/2"	3-7/16"
WP167842	1-3/4"	1/2"	1-1/8"	3-7/64"

Full size carbide tips for better chip ejection
 Thick carbide (2.2mm) for 10-15 sharpening
 CNC machined hardened body for vibration free operation
 Precise match of body to carbide contour for better edge support
 Anti kick-back body design for safe and easy feed while protecting your motor
 Attractive box to protect your router bits



4 Piece Roundover Set, 1/4" & 1/2" Shank, in Wooden Box, 2 Flutes

Tool no	Dia.	Shank	B	R	Length
WP-SET-1098					
consists of:					
WP10983	3/4"	1/2"	13/32"	1/8"	2 5/16"
WP10986	1"	1/2"	17/32"	1/4"	2 9/16"
WP109810	1 1/4"	1/2"	21/32"	3/8"	2 11/16"
WP109812	1 1/2"	1/2"	3/4"	1/2"	2 13/16"

B= Cutting Length

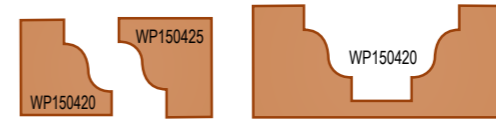
Tool no	Dia.	Shank	B	R	Length
WP-SET-1094					
consists of:					
W90	3/4"	1/4"	13/32"	1/8"	2 1/8"
W91	1"	1/4"	17/32"	1/4"	2 3/16"
W92	1 1/4"	1/4"	21/32"	3/8"	2 5/16"
W93	1 1/2"	1/4"	3/4"	1/2"	2 7/16"



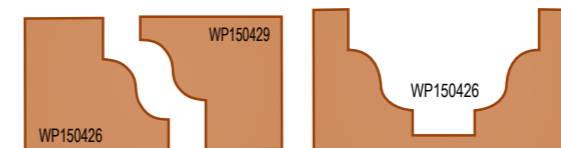
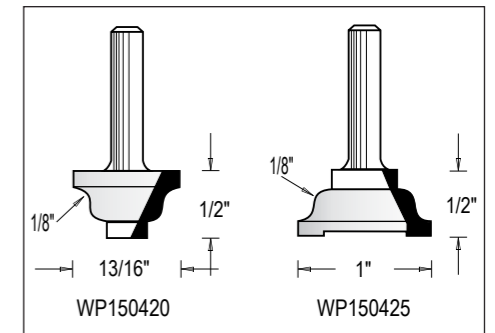
Router Bits

WoodPecker

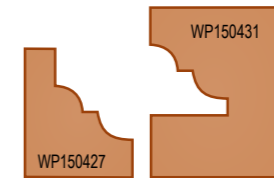
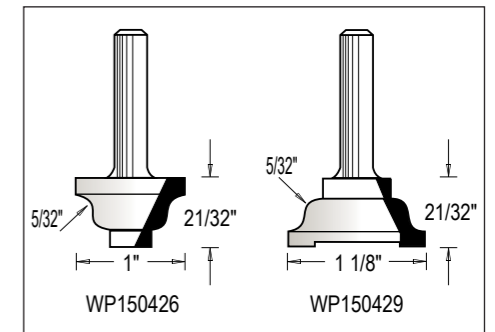
Cope & Stick Bits, 2 Piece Sets, 1/4" Shank, 3 Flutes



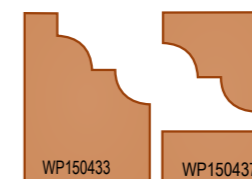
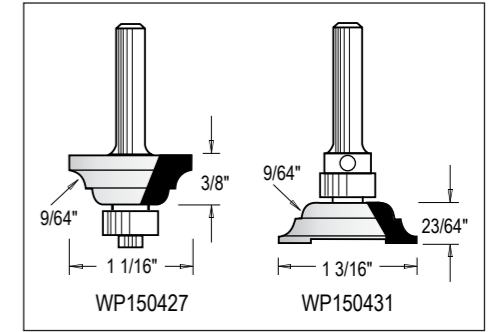
Tool no	Dia.	Shank	B	R	Length
WP150RA Complete Set (2 Bits)					
WP150420	13/16"	1/4"	1/2"	1/8"	1 5/8"
WP150425	1"	1/4"	1/2"	1/8"	1 5/8"



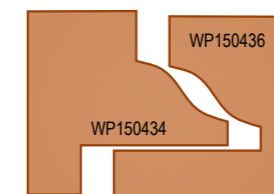
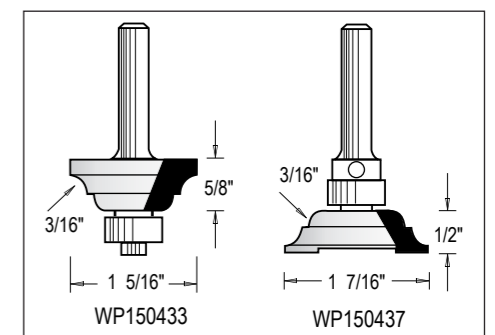
Tool no	Dia.	Shank	B	R	Length
WP150RB Complete Set (2 Bits)					
WP150426	1"	1/4"	21/32"	5/32"	1 25/32"
WP150429	1 1/8"	1/4"	21/32"	5/32"	1 25/32"



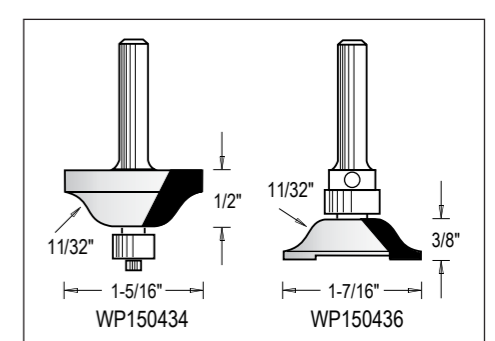
Tool no	Dia.	Shank	B	R	Length
WP150RC Complete Set (2 Bits)					
WP150427	1 1/16"	1/4"	3/8"	9/64"	2"
WP150431	1 3/16"	1/4"	23/64"	9/64"	2"



Tool no	Dia.	Shank	B	R	Length
WP150RD Complete Set (2 Bits)					
WP150433	1 5/16"	1/4"	5/8"	3/16"	2"
WP150437	1 7/16"	1/4"	1/2"	3/16"	2"



Tool no	Dia.	Shank	B	R	Length
WP150RE Complete Set (2 Bits)					
WP150434	1 5/16"	1/4"	9/16"	11/32"	2 3/64"
WP150436	1 7/16"	1/4"	3/8"	11/32"	2"



Router Bits

Router Bits



Grooving & Sizing



Profiling & Chamfering



Jointing & Rebating



Door Frame & Panel



Carving



WoodPecker



Grooving & Sizing



Profiling & Chamfering



Jointing & Rebating



Door Frame & Panel



Carving

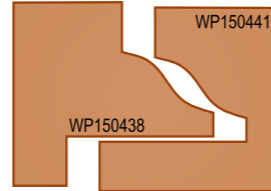
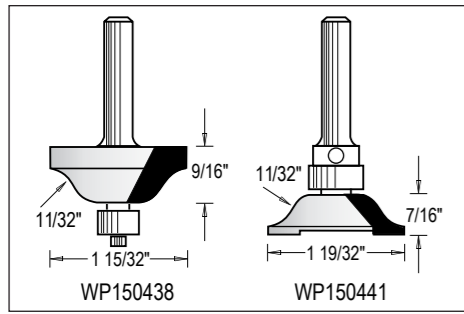


WoodPecker

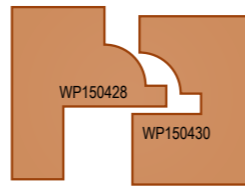
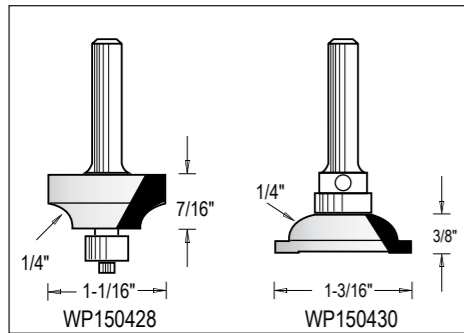
Router Bits

WoodPecker

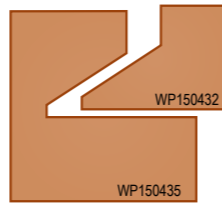
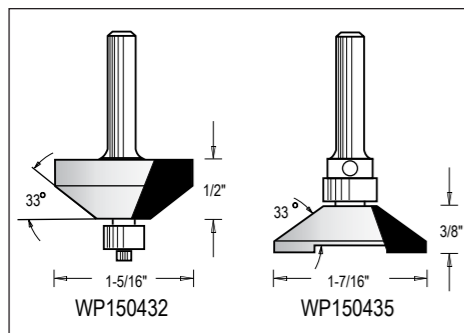
Cope & Stick Bits, 2 Piece Sets, 1/4" Shank, 3 Flutes



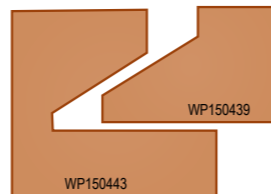
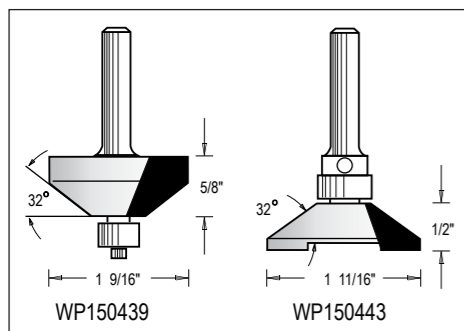
Tool no	Dia.	Shank	B	R	Length
WP150RF	Complete Set (2 Bits)				
WP150438	1 15/32"	1/4"	9/16"	11/32"	2 3/64"
WP150441	1 19/32"	1/4"	3/8"	11/32"	2"



Tool no	Dia.	Shank	B	R	Length
WP150RG	Complete Set (2 Bits)				
WP150428	1 1/16"	1/4"	29/64"	15/64"	1 31/32"
WP150430	1 3/16"	1/4"	23/64"	15/64"	1 57/64"



Tool no	Dia.	Shank	B	α	Length
WP150RH	Complete Set (2 Bits)				
WP150432	1 5/16"	1/4"	35/64"	33°	2"
WP150435	1 7/16"	1/4"	25/64"	33°	1 31/32"



Tool no	Dia.	Shank	B	α	Length
WP150RI	Complete Set (2 Bits)				
WP150439	1 9/16"	1/4"	43/64"	32°	2 11/64"
WP150443	1 11/16"	1/4"	1/2"	32°	1 31/32"

Router Bits

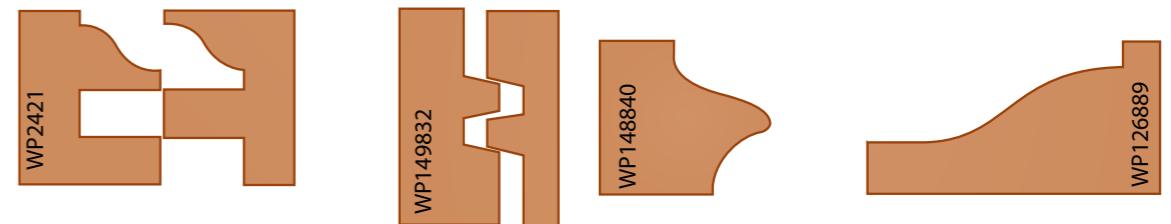
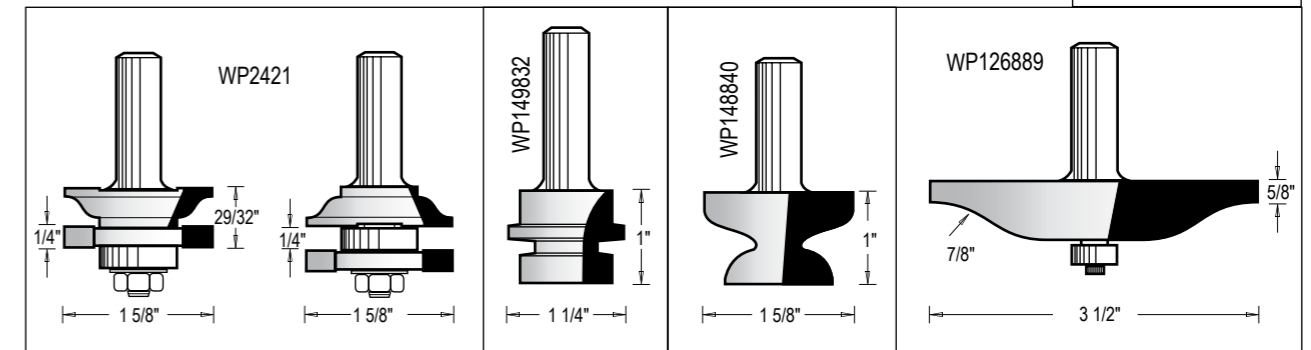
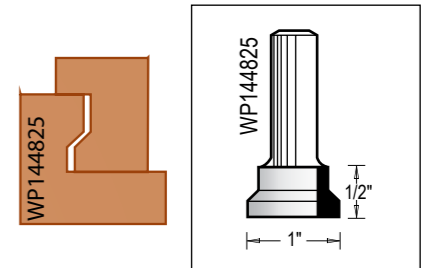
WoodPecker

6 Piece Cabinet Door Set in Wooden Box, 2 Flutes

Full size carbide tips for better chip ejection.
 Thick carbide (2.2mm) for 10-15 sharpenings.
 CNC machined hardened body for vibration free operation.
 Precise match of body to carbide contour for better edge support.
 Anti kick-back body design for safe and easy feed while protecting your motor.
 Attractive box to protect your router bits.



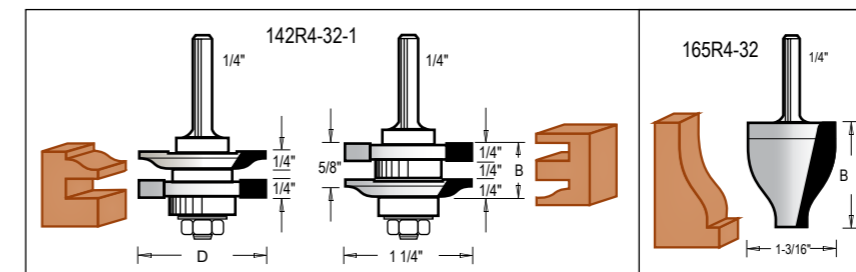
Tool no	Dia.	Shank	B	Length
WP-SET-6	consists of:			
WP2421	1 5/8"	1/2"	29/32"	2 29/32"
WP126889	3 1/2"	1/2"	3/4"	3 1/8"
WP149832	1 1/4"	1/2"	1"	3"
WP148840	1 5/8"	1/2"	1"	2 1/2"
WP144825	1"	1/2"	1/2"	1 7/8"



Cabinet Door Set, 1/4" Shank, 2 Flutes

For 5/8" to 3/4" wood thickness

Tool no	Description	Shank	Dia	B	Length
SET-32	Rail & Stile (Reversible) Bit With Vertical Raised Panel Bit				
consists of:					
142R4-32-1	1 Pc Reversible Rail & Stile Bit	1/4"	1 1/4"	3/4"	2 5/8"
165R4-32	Vertical Raised Panel Bit	1/4"	1 3/16"	1 5/16"	2 5/8"



Router Bits

Router Bits



Grooving & Sizing



Profiling & Chamfering



Jointing & Rebating



Door Frame & Panel



Carving



WoodPecker



Grooving & Sizing



Profiling & Chamfering



Jointing & Rebating



Door Frame & Panel



Carving



WoodPecker

Router Bits

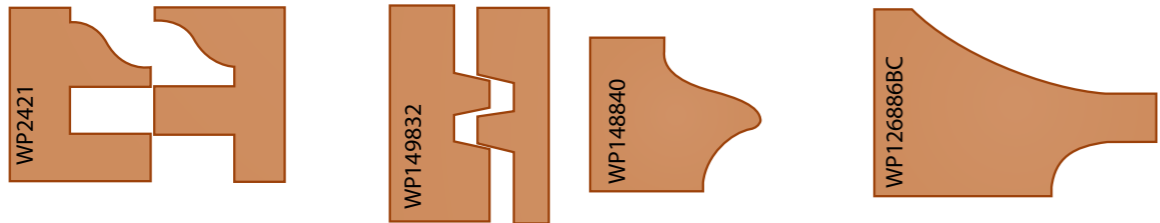
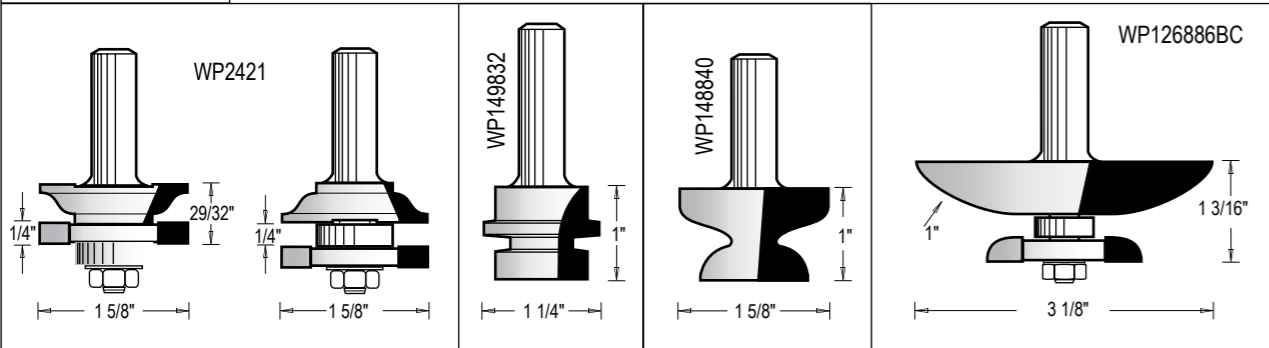
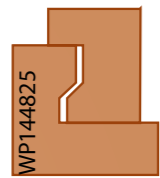
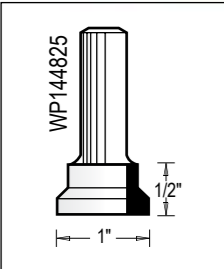
WoodPecker

6 Piece Cabinet Door Set in Wooden Box, 2 Flutes



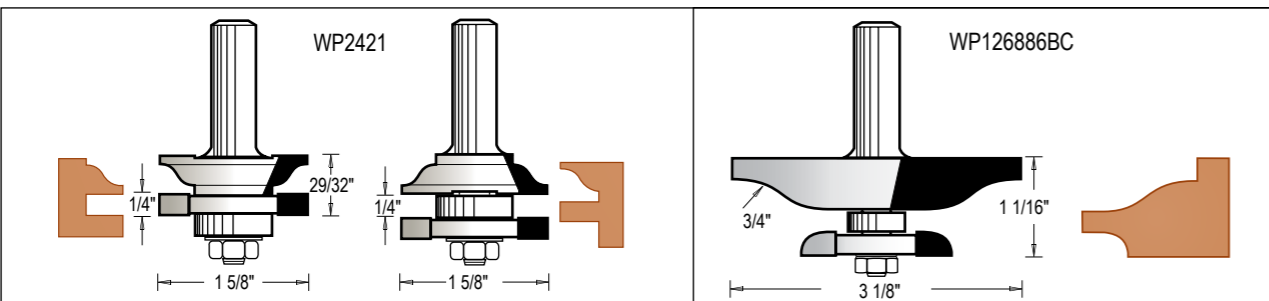
- Full size carbide tips for better chip ejection.
- Thick carbide (2.2mm) for 10-15 sharpenings.
- CNC machined hardened body for vibration free operation.
- Precise match of body to carbide contour for better edge support.
- Anti kick-back body design for safe and easy feed while protecting your motor.
- Attractive box to protect your router bits.
- Economically priced to fit your budget.

Tool no	Dia.	Shank	B	Length
WP-SET-6BC				
consists of:				
WP2421	1 5/8"	1/2"	29/32"	2 29/32"
WP12688BC	3 1/8"	1/2"	1"	3 5/16"
WP149832	1 1/4"	1/2"	1"	3"
WP148840	1 5/8"	1/2"	1"	2 1/2"
WP144825	1"	1/2"	1/2"	1 7/8"



3 Piece Ogee Style Cabinet Door Set with Back Cutter, 2 Flutes

Tool no	Dia	Shank	B	Length
WP242184BC				
consists of:				
WP126884BC	3 1/8"	1/2"	1 1/16"	3 5/16"
WP2421	1 5/8"	1/2"	29/32"	2 29/32"



Router Bits

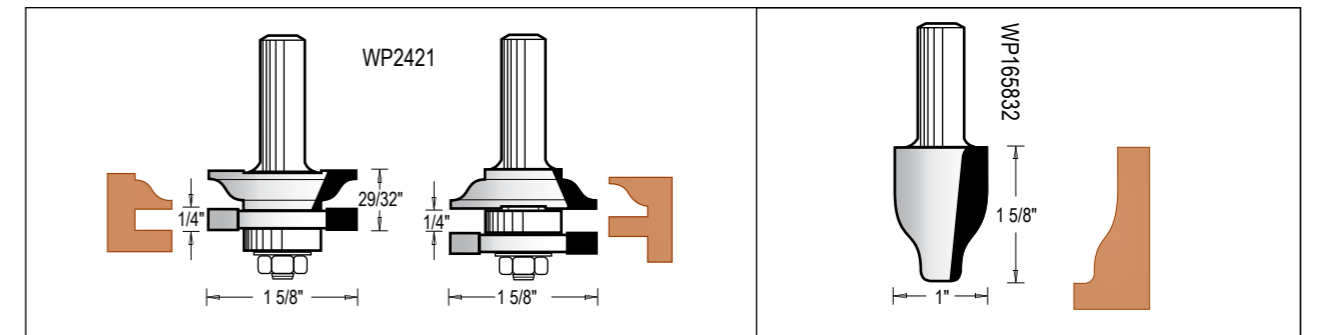
WoodPecker

3 Piece Cabinet Door Set with Vertical Raised Panel & Rail/Stile Ogee bits, 2 Flutes

- Full size carbide tips for better chip ejection.
- Thick carbide (2.2mm) for 10-15 sharpenings.
- Solid wood box to protect your router bits
- Economically priced to fit your budget
- CNC machined hardened body for vibration free operation.
- Precise match of body to carbide contour for better edge support.
- Anti kick-back body design for safe and easy feed while protecting your motor.

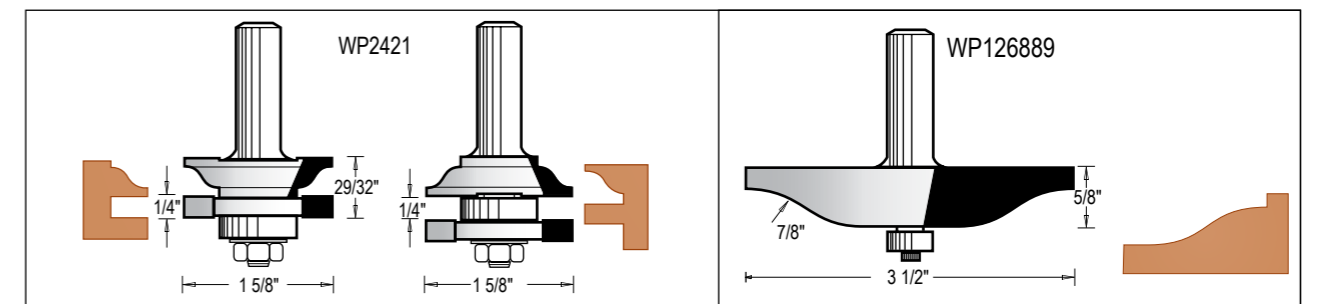


Tool no	Dia	Shank	B	Length
WP242132				
consists of:				
WP165832	1"	1/2"	1 5/8"	3 3/16"
WP2421	1 5/8"	1/2"	29/32"	2 29/32"



3 Piece Cabinet Door Set, Ogee bits, 2 Flutes

Tool no	Dia	Shank	B	Length
WP242189				
consists of:				
WP126889	3 1/2"	1/2"	5/8"	3 1/8"
WP2421	1 5/8"	1/2"	29/32"	2 29/32"

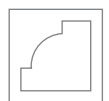


Router Bits

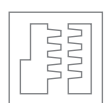
Router Bits



Grooving & Sizing



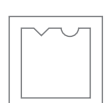
Profiling & Chamfering



Jointing & Rebating



Door Frame & Panel



Carving



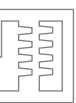
WoodPecker



Grooving & Sizing



Profiling & Chamfering



Jointing & Rebating



Door Frame & Panel



Carving



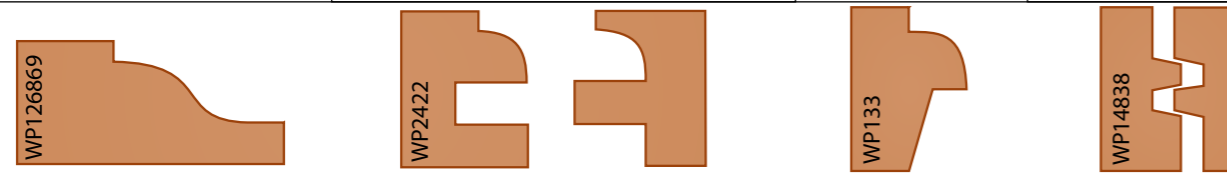
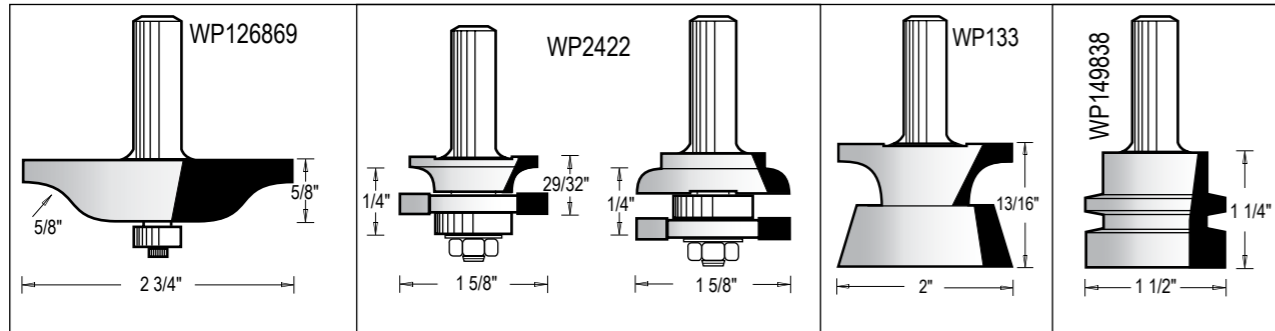
WoodPecker

Router Bits

WoodPecker

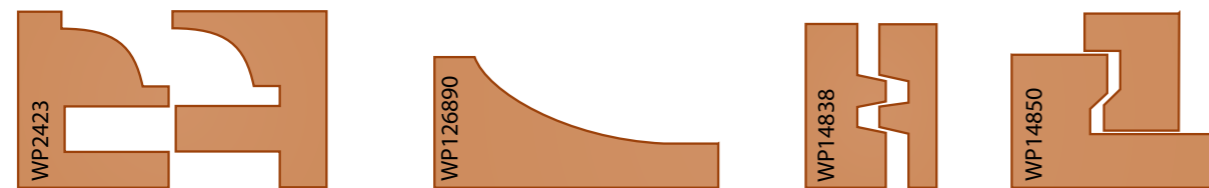
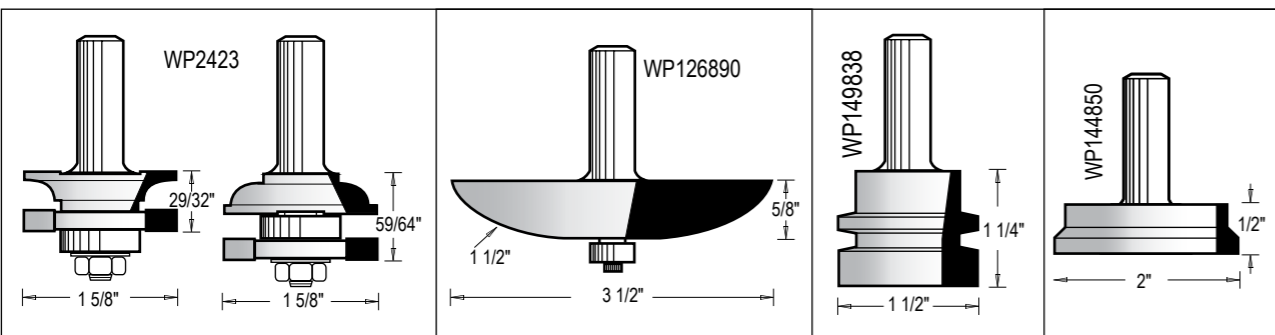
5 Piece Cabinet Door Set In Wooden Box, 2 Flutes

Tool no	Dia.	Shank	B	Length
WP-SET-5A				
consists of:				
WP2422	1 5/8"	1/2"	29/32"	2 29/32"
WP126869	2 3/4"	1/2"	5/8"	2 7/8"
WP133	2"	1/2"	1 3/16"	2 3/4"
WP149838	1 1/2"	1/2"	1 1/4"	2 3/4"



5 Piece Cabinet Door Set In Wooden Box, 2 Flutes

Tool no	Dia.	Shank	B	Length
WP-SET-5B				
consists of:				
WP2423	1 5/8"	1/2"	29/32"	2 29/32"
WP126890	3 1/2"	1/2"	3/4"	3"
WP149838	1 1/2"	1/2"	1 1/4"	2 3/4"
WP144850	2"	1/2"	1/2"	2"

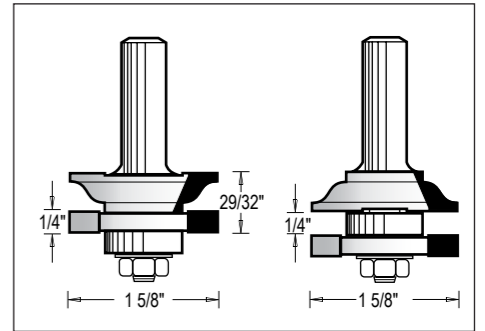
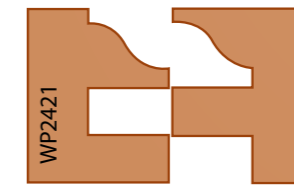


Router Bits

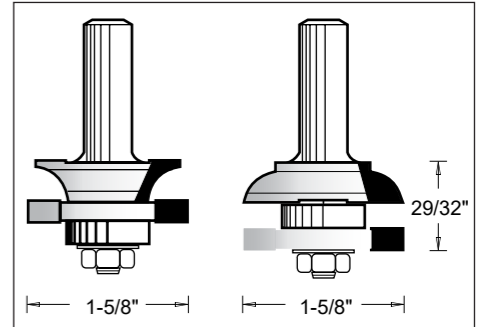
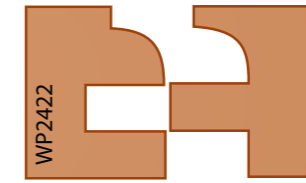
WoodPecker

Rail & Stile Bits, 2 Pieces sets, 1/2" Shank

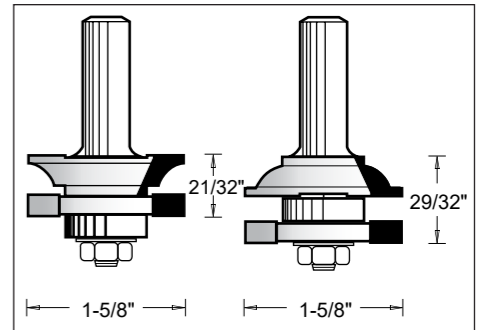
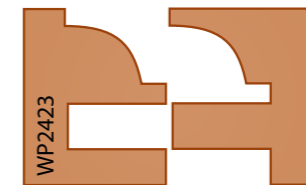
Tool no	Dia.	Shank	B	Length
WP2421	1 5/8"	1/2"	29/32"	2 29/32"



Tool no	Dia.	Shank	B	Length
WP2422	1 5/8"	1/2"	29/32"	2 29/32"



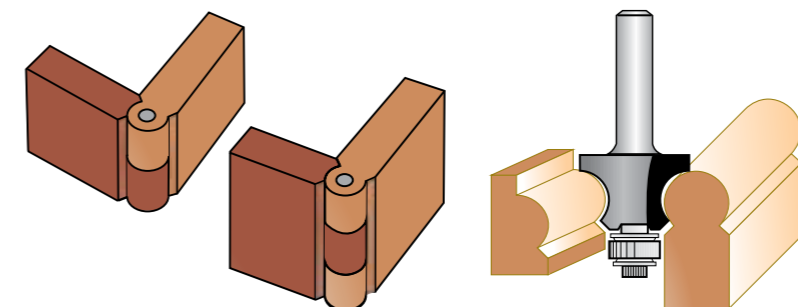
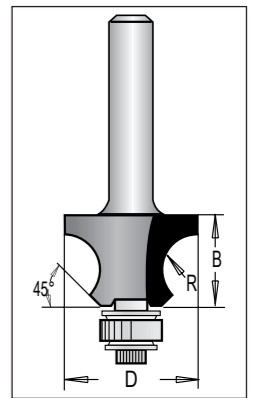
Tool no	Dia.	Shank	B	Length
WP2423	1 5/8"	1/2"	29/32"	2 29/32"



Knuckle Joint Bits / Knuckle Hinge Joint

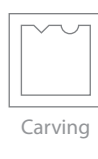
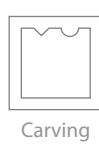
Knuckle Joint Bits or Knuckle Hinge Joint is often used to connect a movable table leg to the framing, where it is necessary for the table leg and rail to swing outwards and support a drop leaf. The pivot is formed by a piece of round iron rod running through the centre of the joint. The Joint is strong and appealing as it shows off the beauty of the wood instead of using metal joint.

Tool no	Dia	Shank	Recommended wood thickness	B	R	Length
WPK-SET						
consists of:						
WPK-11	13/16"	1/4"	10-12mm	14mm	5.5mm	2 1/8"
WPK-14	15/16"	1/4"	14-15mm	17mm	7.14mm	2 1/4"
WPK-17	1 1/32"	1/4"	17-18mm	20mm	8.5mm	2 3/8"
WPK-19	1 1/8"	1/4"	19mm	22mm	9.5mm	2 1/2"



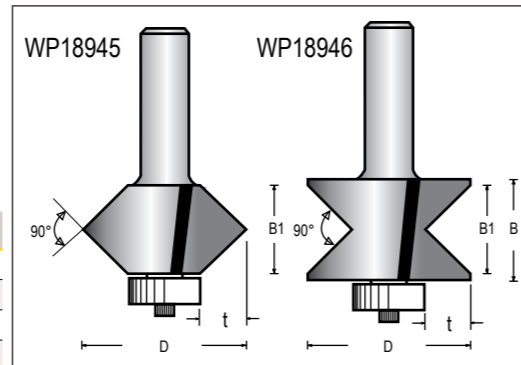
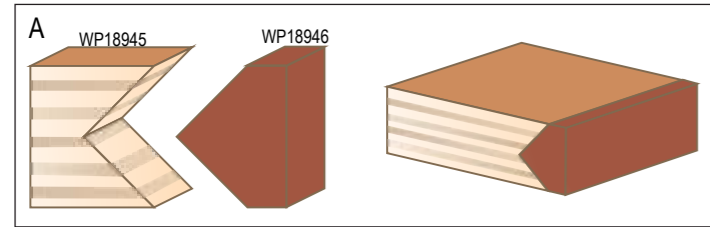
Router Bits

Router Bits

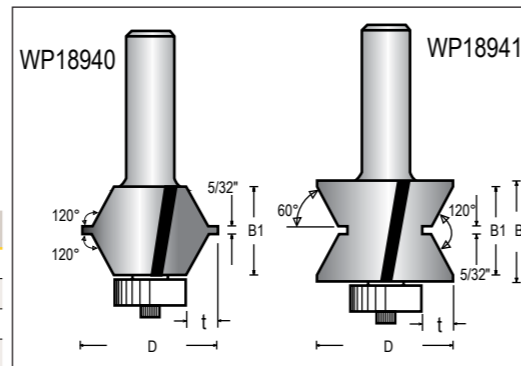
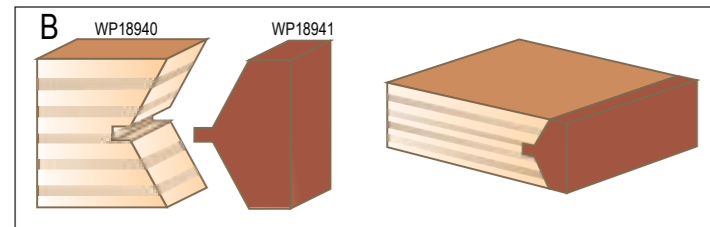


Edge Banding Router Bits, 2 Piece Sets, 2 Flutes

This two-piece bit set provides an economical way to create your own edge banding from the wood of your choice. This is a great way to create a finished edge on plywood or MDF panels and shelves which blends perfectly with the rest of your project. Using this bit set is simple, too. Just position each bit so that it is centered on the stock thickness and make the cut. For the best results we recommend that you cut the edge band stock slightly oversized and then flush trim it after assembly. This unique set is available in two styles: 90 degree or 60 degree. The 90 degree bits can also be used to create 'V' grooves or double-sided chamfers. The 60 degree set creates a larger surface area for glue. Carbide tipped for long life.



Tool no		Dia	Shank	B	B1	t	Length
WPE-SET-A							
consists of:							
WP18945	Groove	1 25/32"	1/2"		1 1/32"	33/64"	3 1/8"
WP18946	Tongue	1 13/16"	1/2"	1 1/4"	1 1/32"	17/32"	3 1/8"



Tool no		Dia	Shank	B	B1	t	Length
WPE-SET-B							
consists of:							
WP18940	Groove	1 9/32"	1/2"		1"	21/64"	3"
WP18941	Tongue	1 5/8"	1/2"	1 1/8"	1 1/32"	1/2"	3"

Tambour Sets, 2 Flutes

Make beautiful roll top desks, bread boxes, jewelry boxes, contoured chairs, just a few steps of simple routing and you can produce incredible planters, etc., with this 3 and 4 pieces Tambour Set.

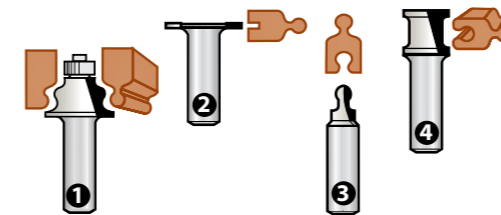
Tambour joints using your own router!

Each set includes step by step instructions and actual wood samples.

Tool no	Description	Wood Thickness	Shank
TAMBOUR-10-1/4	Complete 4 bits SET	3/8"	1/4"
T10-113	① Roman Ogee 1" Dia. x 1/2" Cut Length x 3/32" Radius		1/4"
T10-108	② Slot Cutter 31.5mm Dia. x 2.5mm Kerf		1/4"
T10-190	③ Ball Groove 3/16" Dia. x 3/32" Radius		1/4"
T10-129	④ Bull Nose 5/8" Dia. x 1/2" Cut Length x 3/32"		1/4"

Tool no	Description	Wood Thickness	Shank
TAMBOUR-12	Complete 4 bits SET	1/2"	1/2"
T12-113	① Roman Ogee 1 1/8" Dia. x 5/8" Cut Length x 1/8" Radius		1/2"
T12-108	② Slot Cutter 31.5mm Dia. x 3.0mm Kerf		1/2"
T12-190	③ Ball Groove 1/4" Dia. x 11/16" Radius		1/2"
T12-129	④ Bull Nose 3/4" Dia. x 11/16" Cut Length x 1/8" Radius		1/2"

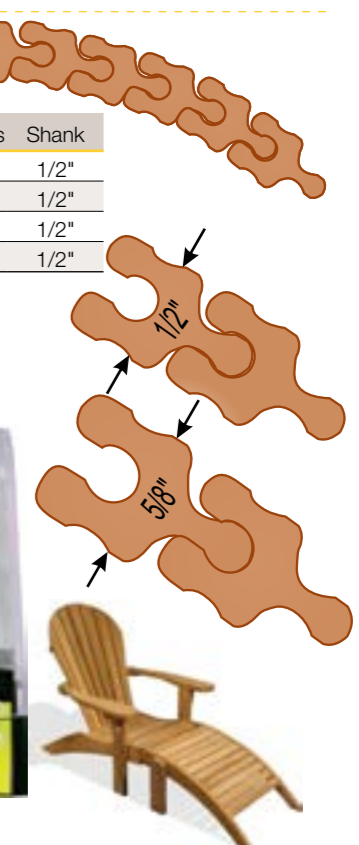
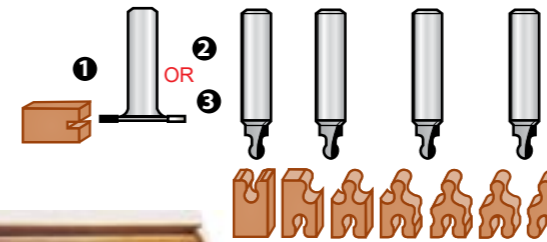
Tool no	Description	Wood Thickness	Shank
TAMBOUR-16	Complete 4 bits SET	5/8"	1/2"
T16-113	① Roman Ogee 1 1/4" Dia. x 3/4" Cut Length x 5/32" Radius		1/2"
T16-108	② Slot Cutter 31.5mm Dia. x 4.0mm Kerf		1/2"
T16-190	③ Ball Groove 5/16" Dia. x 5/32" Radius		1/2"
T16-129	④ Bull Nose 7/8" Dia. x 13/16" Cut Length x 1/8" Radius		1/2"



No Sawing!
No Sanding!
No Gluing!

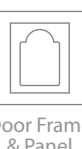
Tambour Sets (Fancy), 2 Flutes

Tool no	Description	Wood Thickness	Shank
TAMBOUR-3P	Complete 3 bits SET	1/2" & 5/8"	1/2"
T12-108	① Slot Cutter Dia.x 31.5mm, Cut Length 3mm, Overall Length 41mm		1/2"
T12-2P-190	② Ball Groove Dia. x 5.2mm, Cut Length 7.2mm, Overall Length 2-3/4", Radius 3/32"		1/2"
T16-2P-190	③ Ball Groove Dia. x 6.95mm, Cut Length 10.43mm, Overall Length 3", Radius 1/8"		1/2"



Router Bits

Router Bits



Router Bits

WoodPecker

Mini Bits - Carbide Tipped, 1/4" Shank, 2 Flutes

These Quality bits are produced from special steel & carbide.

Two Flutes for high performance.

Anti kickback design for maximum safety

Good Carbide Tooth Thickness for longer life.

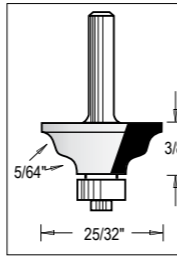
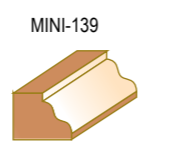
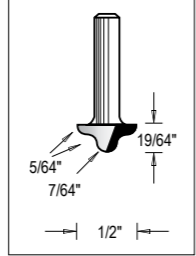
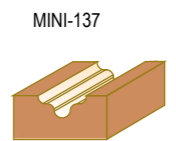
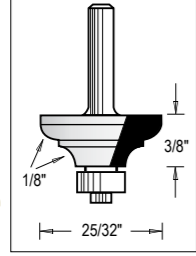
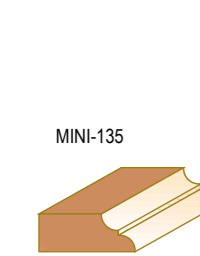
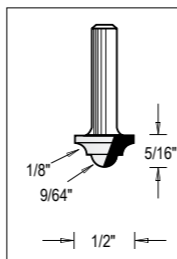
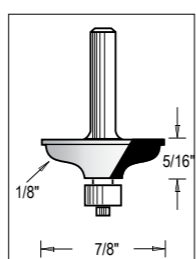
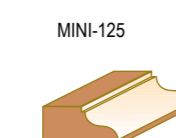
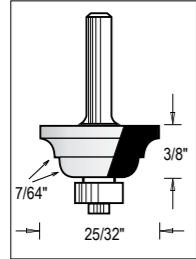
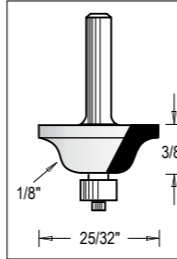
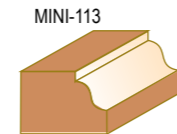
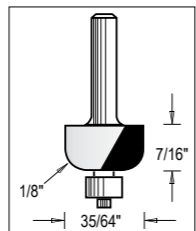
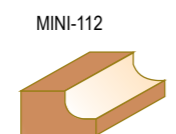
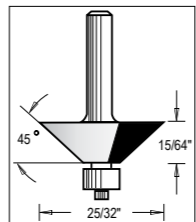
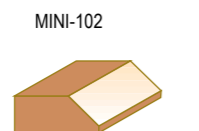
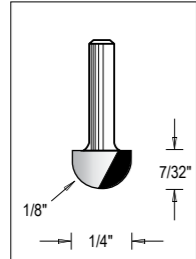
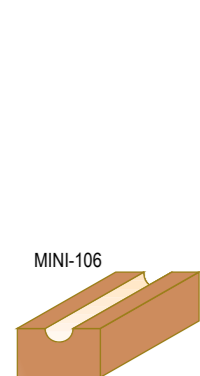
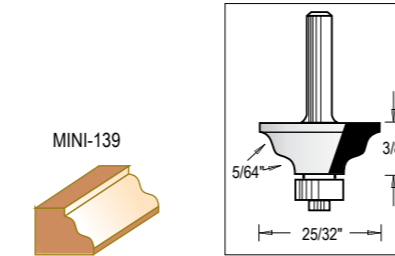
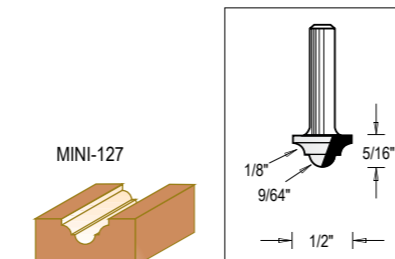
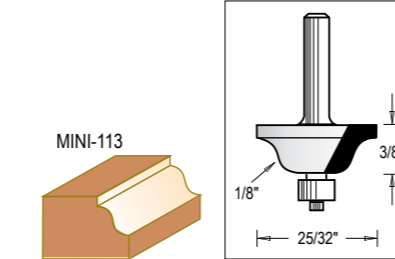
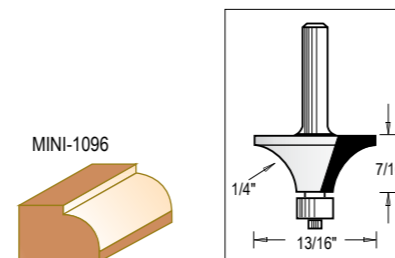
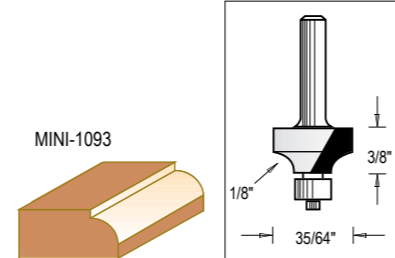
12 Profiles to choose from.

Used with trimmers and low powered routers.

Mini Bits are used for making miniature furniture etc.

Tool no	Description	D	B	Cutting Radius/angle
MINI-SET	Complete Set - 12 pcs in wood box			
MINI-102	Chamfer Bit	25/32"	15/64"	45°
MINI-106	Core box Bit	1/4"	7/32"	1/8"
MINI-1093	Round over Bit	35/64"	3/8"	1/8"
MINI-1096	Round over Bit	13/16"	7/16"	1/4"
MINI-112	Cove Bit	35/64"	7/16"	1/8"
MINI-113	Roman Ogee Bit	25/32"	3/8"	1/8"
MINI-113SP	Classical Bit	25/32"	3/8"	7/64"
MINI-125	Ogee Fillet Bit	7/8"	5/16"	1/8"
MINI-127	Classical Plunge	1/2"	5/16"	9/64", 1/8"
MINI-135	Classical Ogee Bit	25/32"	3/8"	1/8"
MINI-137	Plunge Ogee Bit	1/2"	19/64"	7/64", 5/64"
MINI-139	Wavy Edge Bit	25/32"	3/8"	5/64"

Replacement part: Ball Bearing: BB-8M, Screw: SC02508



Router Bits

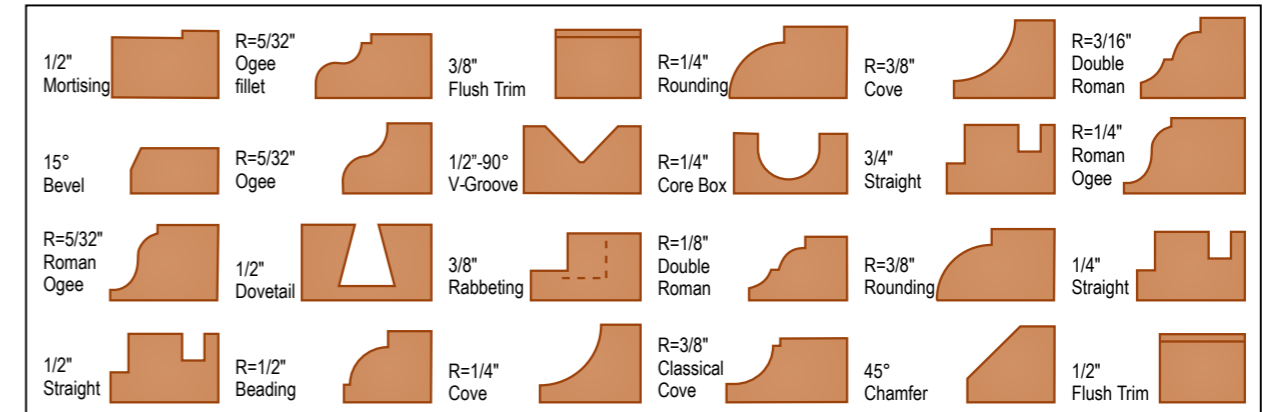
WoodPecker

24 Piece Carbide Tipped Router Bit Sets, 3 Flutes

- 3 Cutting edges for smoother, cleaner surface
- Most popular bits to suit most applications
- High quality carbide for longer edge life
- Thick carbide tips - prolongs service life
- Chip limitation design for safe operation
- Hardened steel body for stable performance



Tool no	Description
WP24-3	24 pc SET, 1/4" shank, IN DOUBLE WOOD BOX
WP2412-3	24 pc SET, 1/2" shank, IN DOUBLE WOOD BOX



12 Piece Carbide Tipped Router Bit Sets, 3 Flutes

- 3 Cutting edges for smoother, cleaner surface
- Most popular bits to suit most applications
- High quality carbide for longer edge life
- Thick carbide tips - prolongs service life
- Chip limitation design for safe operation



Tool no	Description
WP12-3	12 pc SET, 1/4" shank, IN WOOD BOX
WP1212-3	12 pc SET, 1/2" shank, IN WOOD BOX

Router Bits

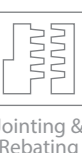
Router Bits



Grooving & Sizing



Profiling & Chamfering



Jointing & Rebating



Door Frame & Panel



Carving



WoodPecker



Grooving & Sizing



Profiling & Chamfering



Jointing & Rebating



Door Frame & Panel

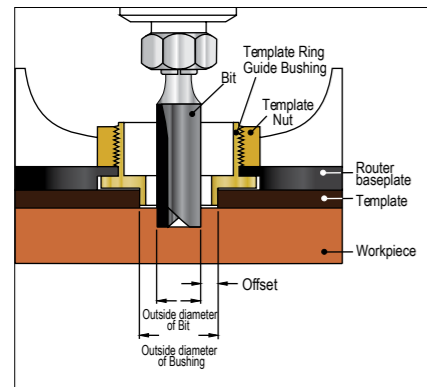


Carving



WoodPecker

10 Piece Template Rings, Solid Brass



Template Rings also known as **Guide Bushings** allows the router operator to steer a bit with precision and full control. It will ensure consistent results of routing at all times. Our 10 Piece Template Rings are made of Solid Brass that will ensure precision guidance. This kit lets you to do tight, precise inlay work with a router and templates of your own design. A Template Ring is made of a collar that attaches to and extends below the router's base plate. It acts similar to the bearing on a router bit. The main advantage of using a Guide Bushing is that you are not limited to routing just the edge of the work piece, but you can follow along the edge of the template to control the bit while you make the cut. It actually enables you to route straight lines as well as very fancy shapes.

The bushing is not flush with the outside diameter of the bit, and the difference is called: The Offset.

When routing with a Guide Bushing, calculating the Offset is important but very simple to do.

For example, if you use a 1/4" Straight bit with a 5/8" Outside Diameter bushing, the Offset is 3/16".

Calculating the Offset will ensure that routing Curves is done right.

- For **Inside Curves**, increase radius of inside curves on the template by the Offset
 - For **Outside Curves**, decrease radius of outside curves on the template by the Offset.
- Bushing sets are available in either brass or steel. The difference is that brass bushings usually can be tightened by hand, and stay tight. Steel bushings seem to vibrate loose more easily. You should always opt for brass bushings sold by a reputable manufacturer. They are made from quality material and adhere to tight tolerances.

You will get years of trouble free routing experience.

When it comes to Routing, Template Rings are indispensable accessories. Mastering them will give you endless possibilities to produce amazing effects with outmost precision. Among popular usage are:

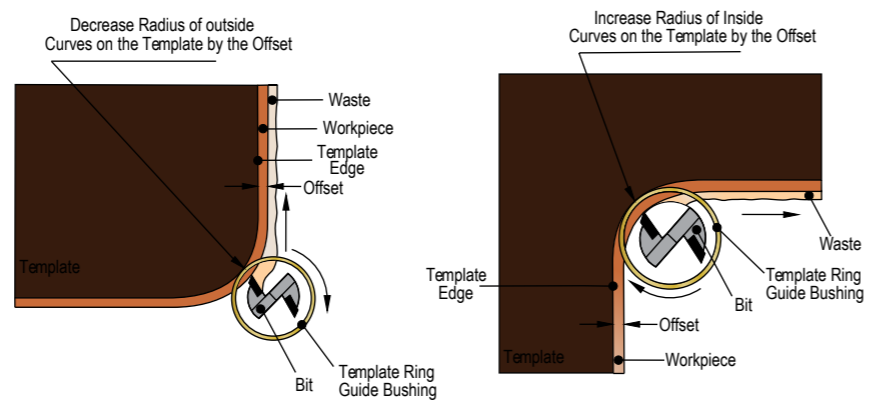
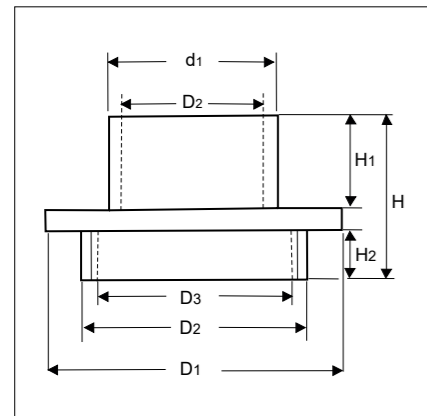
Joinery

Routing Dados and Grooves, Dovetail, Finger Joints

Surface effects

Grooving fancy frames and decorative inlays. Creating profiles away from the edge of the work piece.

Hardware installations



Sold Only in Sets

Tool no	D1	D2	D3	d1	d2	H	H1	H2	
WP-T-RINGS	Complete Set consists of 10 pcs								
Rings:	35mm	1 3/16"	26.5mm	5/16" (7.94mm)	1/4" (6.35mm)	18mm	6mm	9.5mm	
	35mm	1 3/16"	26.5mm	3/8" (9.52mm)	9/32" (7.14mm)	18mm	6mm	9.5mm	
	35mm	1 3/16"	26.5mm	7/16" (11.11mm)	11/32" (8.73mm)	18mm	6mm	9.5mm	
	35mm	1 3/16"	26.5mm	1/2" (12.7mm)	13/32" (10.32mm)	18mm	6mm	9.5mm	
	35mm	1 3/16"	26.5mm	5/8" (15.87mm)	17/32" (13.49mm)	18mm	6mm	9.5mm	
	35mm	1 3/16"	26.5mm	3/4" (19.05mm)	21/32" (16.67mm)	18mm	6mm	9.5mm	
	35mm	1 3/16"	26.5mm	51/64" (20.24mm)	5/8" (15.87mm)	18mm	6mm	9.5mm	
	35mm	1 3/16"	26.5mm	1" (25.4mm)	7/8" (22.23mm)	18mm	6mm	9.5mm	
2 Lock Nuts									



Grooving & Sizing



Profiling & Chamfering



Jointing & Rebating



Door Frame & Panel



Carving



WoodPecker